

INTRINSICALLY SAFE TRANSMITTERS

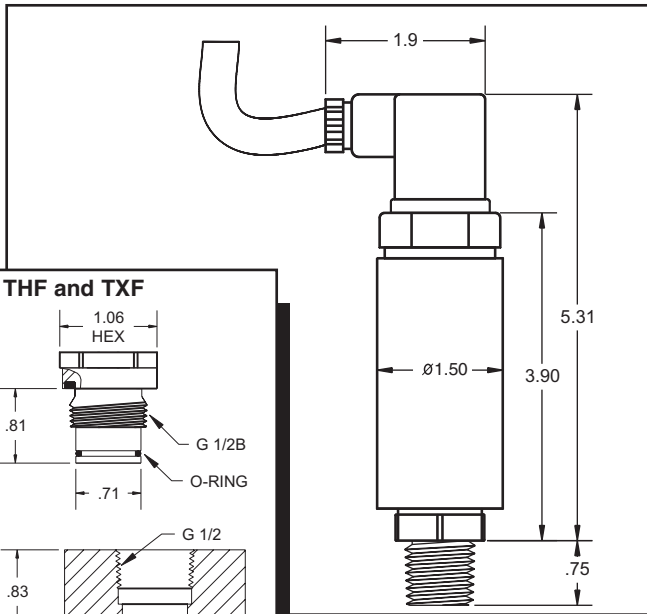
SERIES TX

- Intrinsically safe for Hazardous Environments
- Heavy-duty, 0.25% or 0.1% accuracy
- Standard Internal or Flush diaphragm
- Very low to very high Pressure Ranges
- Internal zero & span adjustments
- All-stainless welded Body and Wetted Parts
- Shock-proof - internals potted in epoxy

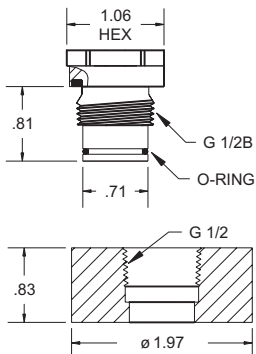


Applications:

Petrochemicals, chemicals, and other hazardous applications requiring Class I, Division I protection.



for THF and TXF



Note: dimensions are nominal and may vary. Check with Reotemp sales if dimensions are critical.

Weld-in Adapter XTWA-F

TX series transmitters are compatible with Reotemp DM series digital indicators (p.33). Each Reotemp transmitter is inspected and calibrated prior to shipment, to ensure it is 100% "Ready-to-Go" right out of the box!

Specifications: (Also see General specs, page 25)

Approvals: FM, CSA, CENELEC, BASEEFA, and PTB approved for Class I, II, III; Division 1, groups A, B, C, D, E, F, G. Nonincendive for Class I, Div 2, Groups A, B, C, D.

Output Signal: 4-20 mA, 2 wire

Pressure Ranges: Vacuum, compound, pressure to 15000PSI; gauge and absolute

Proof & Burst Pressures	Proof pressure	Burst pressure
0/5 thru 0/200psi	3.5 x range	3.8 x range
0/300 thru 0/10,000 psi	2 x range	2 x range
0/15,000 psi	1.5 x range	2 x range
0/25,000 and 0/60,000 psi	1.2 x range	2 x range

Accuracy (BFSL): +/- 0.25% of span (standard) (incl. repeatability, +/- 0.1% of span (optional) hysteresis, and linearity):

Adjustment: +/- 5% full scale, zero & span

Input: 11-28 VDC

Temperature: Compensated: +32 to 175°F (0/80C)
Effect: +/- 0.01% of span / deg F (on zero and span)
Media: -5 to 120°F (-20/50°C)
Ambient: -5 to 120°F (-20/50°C)

HOW TO ORDER

TX — 1 — P20 — 2 — A — 4 — C — 2

<p>TX1 = Intrinsically Safe transmitter-(std internal diaphragm)</p> <p>TXF = Intrinsically Safe-(special front flush diaphragm)</p>	<p>Range: SEE PAGE 35 FOR RANGE CODES</p> <p>Vacuum, Compound, Pressure 0/55INWC...to 30,000psi (TX1) 0/55INWC...to 7,500psi (TXF)</p>	<p>Accuracy: 2 = +/-0.25% Full Scale (std) 3 = +/-0.12% Full Scale</p>	<p>Output Signal: A = 4-20mA, 2 wire</p>	<p>Process Connection TX1: 4 = 1/4" NPT 2 = 1/2" NPT(std)</p> <p>TXF: E = G1/2B w/flush(≥50psi) F = G1B w/flush(<50psi)</p>	<p>Electrical Connection: C = Hirschmann (w/36" cable) D = Hirschmann (DIN 43650) N = 1/2" NPTF ISO 4400 flex conduit conn.</p>	<p>Options: 1 = Threaded Orifice (SS, M3.5) 2 = Restrictor Screw Weld-in adapters for G1, G1/2 Diaphragm Seals, Snubbers</p>
--	--	---	--	---	---	---