

# PD 622 6 Channel Digital Input

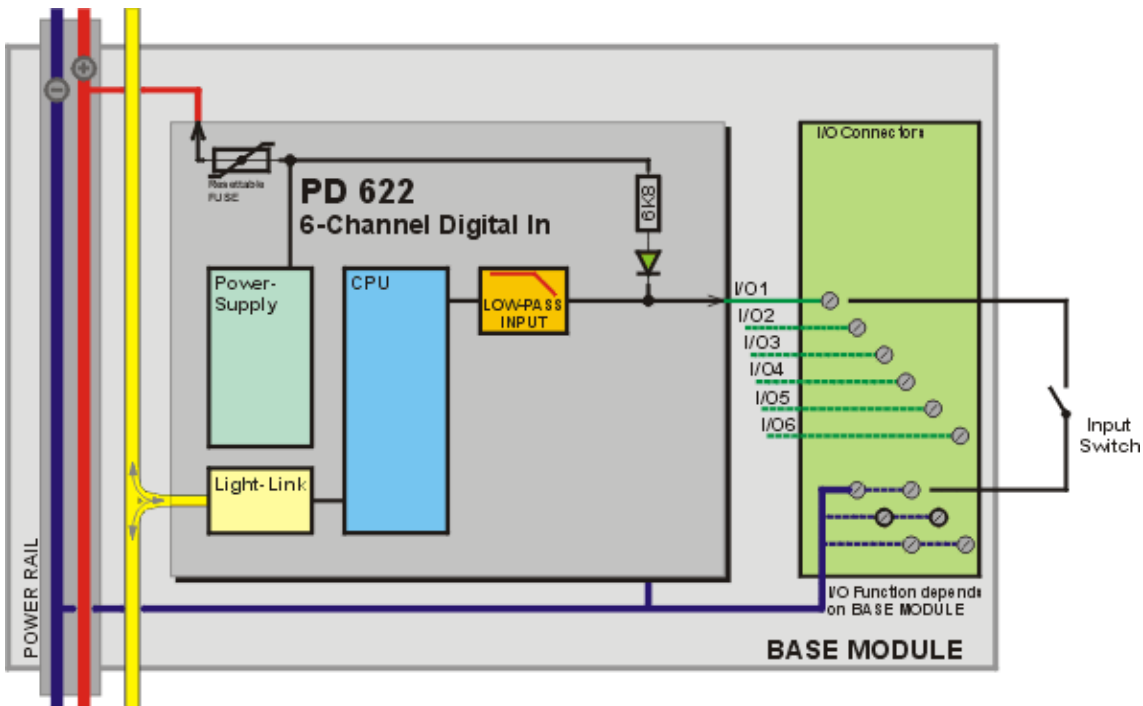
## Specific Features

The PD 622 is designed as a 6 channel input only device. It provides facilities for standard detection and counting of input signals. It is used with a **BM 005** Base module.

- Individually Configurable Digital Inputs for nominal 24 volts signals.
- Built in input functions.
- Autonomous counting to 200 Hz
- Wide power supply range.
- Wide temperature range.

## PD 622 Block Schematic

The diagram shows the I/O circuits and connection possibilities for a PD 622



## Channel structure

The PD 622 consists of 7 channels as shown in the table.

Channel No.	Channel Name	Channel Description
0	Service	Module Ident., Address and Config.
1	Digital_IN_1	General purpose Digital Input
2	Digital_IN_2	General purpose Digital Input
3	Digital_IN_3	General purpose Digital Input
4	Digital_IN_4	General purpose Digital Input
5	Digital_IN_5	General purpose Digital Input
6	Digital_IN_6	General purpose Digital Input

## Electrical Specifications

### Power supply

Power supply DC:	nom.	24.0 V
	min.	18.0 V
	max.	32.0 V
Ripple:	max.	5%

### Power consumption @ 24Vdc

All inputs = ON	max.	45 mA
All inputs = OFF	max.	30 mA
Current requirement at power up:	max.	60 mA

### Digital Input

Input voltage at ON:	<	3 V
Input voltage at OFF:	>	9 V
Input hysteresis:	min.	0.3 V
Input current at ON:	max.	3.4 mA
Input frequency:	max.	200 Hz

### Temperature

Operating temperature:	-25 °C - 70 °C
Storage temperature:	-40 °C - 85 °C

### Humidity

Relative humidity:	max.	95%
--------------------	------	-----

### EMC

EN61000-6-2, EN61000-6-3

### Vibration

Test method: IEC 60068-2-6

Frequency range:	2-100 Hz
Frequency / amplitude:	2-10 Hz: +/- 5.0 mm
	10-100 Hz: +/- 2g
Sweep rate:	max. 1 octave/min
Number of axes:	3 mutually perpendicular

## Mechanical Details

