

BLAGDON

B06

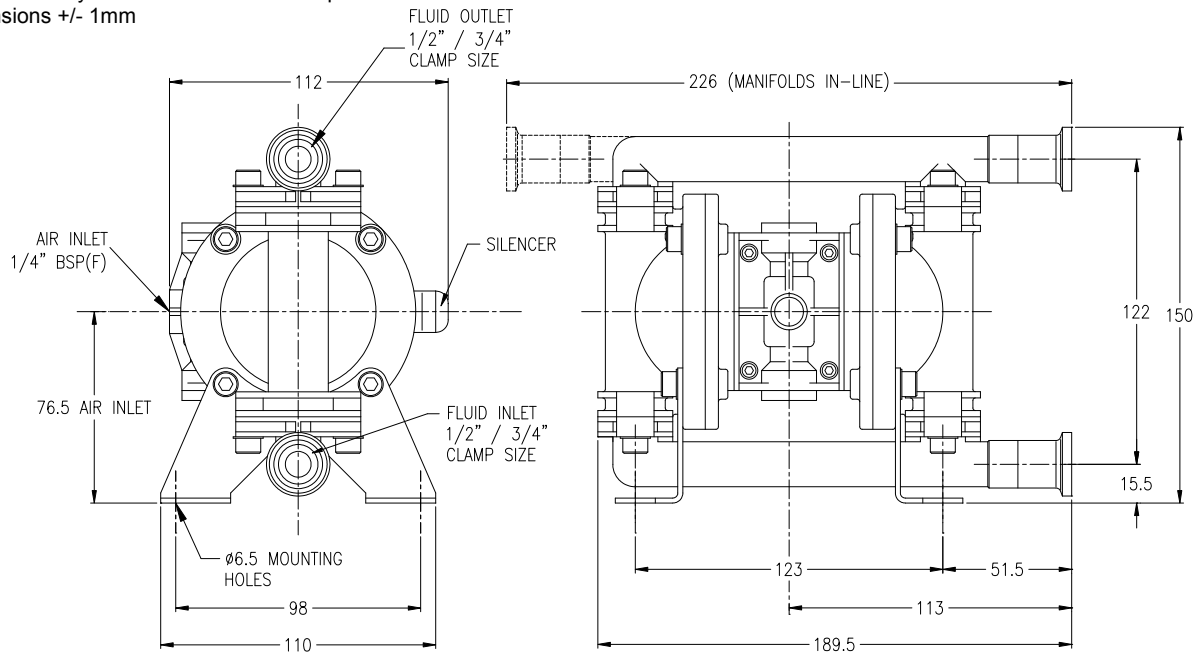
AIR OPERATED DOUBLE DIAPHRAGM PUMP

Metallic FDA Series

B06

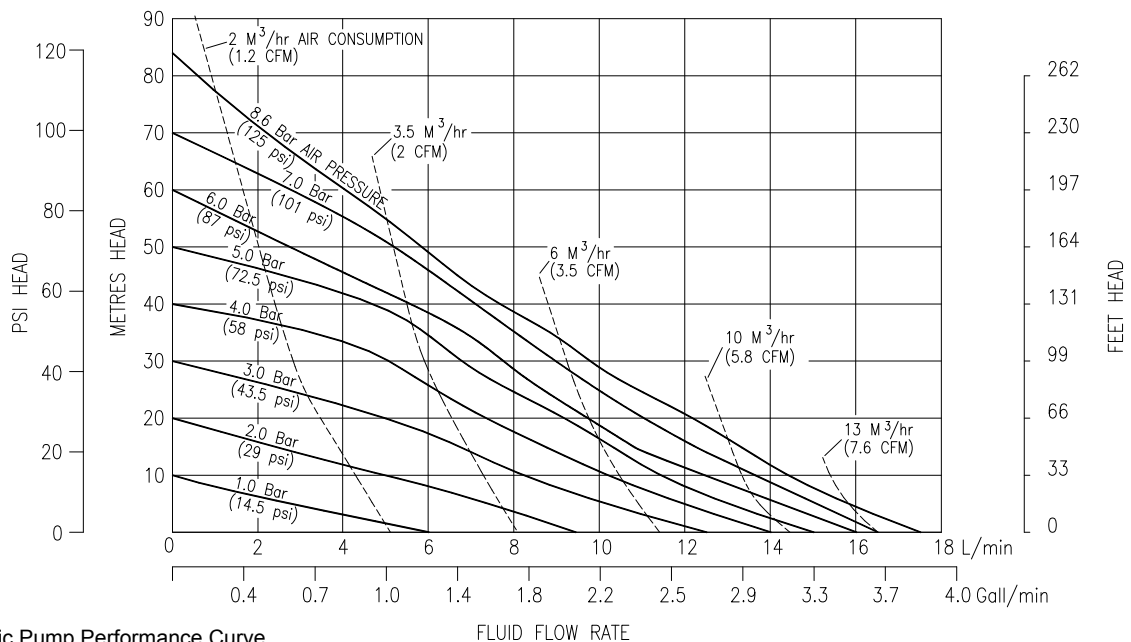
DIMENSIONS

General Assembly :- B06 Metallic FDA Pump
All dimensions +/- 1mm



B06

PERFORMANCE



B06 Metallic Pump Performance Curve
Performance based on water at ambient temperature

FLUID CONNECTIONS 1/2" - 3/4" TRI-CLAMP SIZE (Other options available)	CAPACITY 0 - 18 Litres/Minute (0 - 3.9 Gallons/Minute)	MAX SOLIDS 1 MM (1/16")	MAX DISCHARGE HEAD 88 Meters (289 ft)	DISPLACEMENT/STROKE 0.022 Litres (0.0049 UK Gallons)
MAX. WORKING PRESSURE 8.6 Bar (125 psi)	AIR INLET 1/4" BSP (F)	TEMPERATURE LIMITS Determined by Elastomers		PUMP WEIGHTS :- SS :- 4.0 Kg

ⓘ **Caution** - Operating temperature limitations are as follows:

Operating Temperatures

Materials

Maximum

Minimum

Optimum

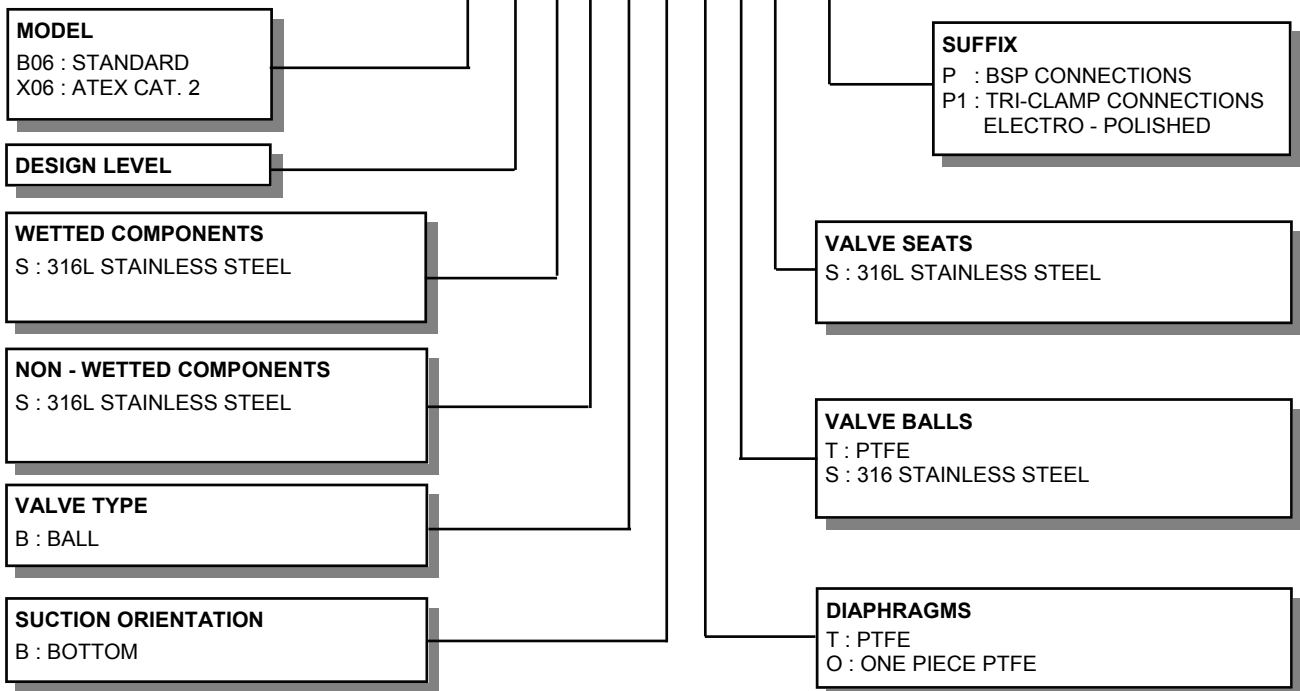
PTFE - Chemically inert, virtually impervious. Very few chemicals are known to react chemically with PTFE : molten alkali metals, turbulent liquid or gaseous fluorine and a few fluoro-chemicals such as chlorine trifluoride or oxygen difluoride which readily liberate free fluorine at elevated temperatures.

356°F
180°C

32°F
0°C

50° to 212°F
10° to 100°C

TYPICAL CODE = B06.04.S S. B B. T T S - P 1



IMPORTANT

This pump should be used in accordance with the requirements of the Safety, Health & Welfare at Work Act 2005.
All business conducted subject to IDEX Pump Technologies, Ireland. Terms and Conditions of Sale, available on request.



IDEX Pump Technologies (Ireland) Ltd.,
A Unit of IDEX Corporation,
R79, Shannon, Co Clare, IRELAND.
TEL. : +353 61 471933 FAX. : +353 61 475046
Web Site : www.blagdonpump.com
E-Mail : sales@blagdonpump.com