

Adjustable Overload Protection Device AFW, AFG

- ◆ Designed for use in chemical and petrochemical power plant and pharmaceutical
- ◆ Isolate the sensing element of pressure gauges, pressures switches and pressure transmitters from process liquids
- ◆ Suitable for corrosive, nonviscous and clean gases or liquids switches and pressure transmitters from process liquids



Specifications

Diaphragm overload protection device (AFW) always attaches with chemical seals, mainly used for viscous or easy to be crystallized media.

- ◆ Setting range: 0,16-16 Bar
- ◆ Over pressure limit: 0-50 Bar
- ◆ Working temperature: -25... +120°C
- ◆ Diaphragm material: 316L
- ◆ Set point accuracy: ± 4%
- ◆ Wetted material: 316+BUNA
- ◆ Connection: thread M20*1.5M-M20*1.5F, 1/2"NPT M-1/2"NPT F

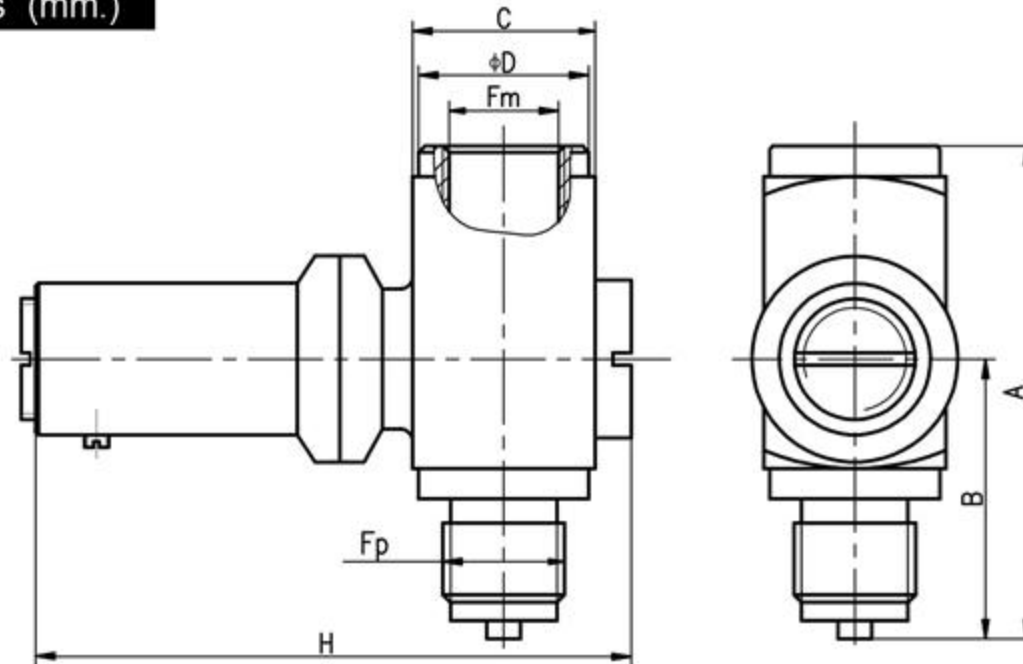
Piston overload protection device (AFG) for viscous and sedimentous process medium with diaphragm seal.

- ◆ Setting range: 25-400 Bar
- ◆ Over pressure limit: 0-400 Bar
- ◆ Working temperature: -25...+120°C
- ◆ Diaphragm material: 316L
- ◆ Set point accuracy: ± 4%
- ◆ Wetted material: 316+BUNA
- ◆ Connection: thread M20*1.5M-M20*1.5F, 1/2"NPT M-1/2"NPT F

SPECIAL VERSIONS

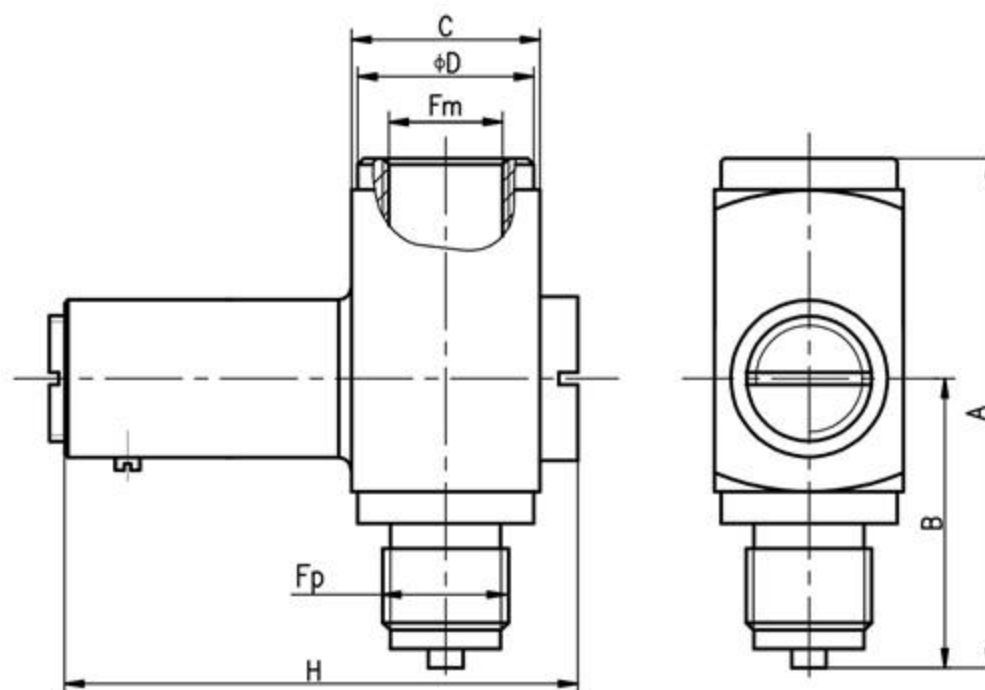
- ◆ Body material: 304, 316, 316L
- ◆ Connection: other on request
- ◆ Packing material: as different process temperature and setting range VITON-25--+240°C, 1.6-400 Bar

Dimensions (mm.)



Diaphragm overload protection device

Range	A	B	C	D	H	Fp/Fm
0,16-10 Bar	78	46	30	28	98	G1/2~G1/2
	75	43	30	28	98	NPT1/2~NPT1/2



Piston overload protection device

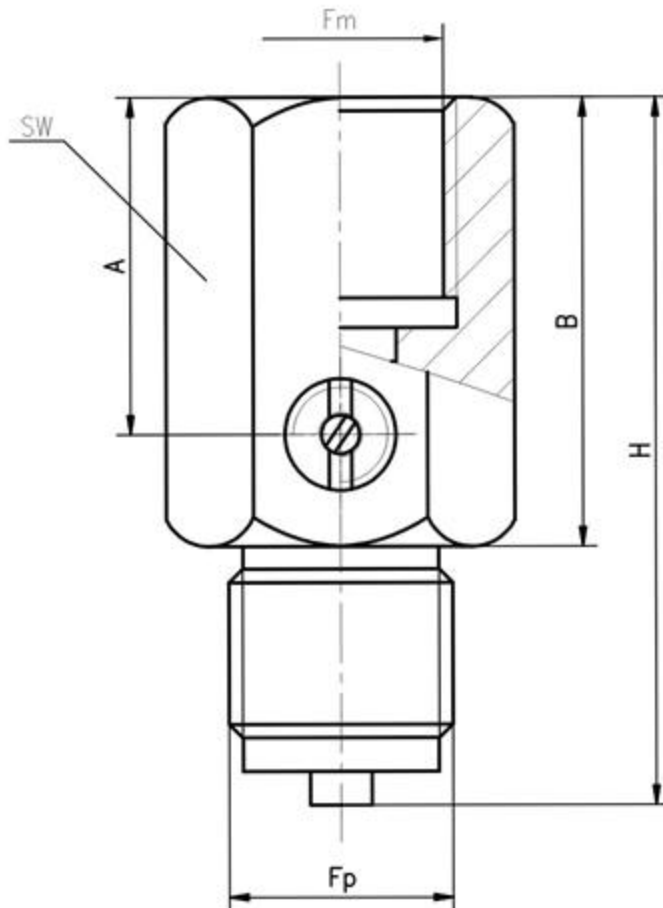
Range	A	B	C	D	H	Fp/Fm
0,16-10 Bar	78	44	30	28	77	G1/2~G1/2
	75	41	30	28	77	NPT1/2~NPT1/2

Pressure Dampener AZ1

- ◆ Designed for use in chemical and petrochemical power plant and pharmaceutical
- ◆ Isolate the sensing element of pressure gauges, pressures switches and pressure transmitters from process liquids
- ◆ Suitable for corrosive, nonviscous and clean gases or liquids switches and pressure transmitters from process liquids



Dimensions (mm.)



Specifications

- ◆ Nominal pressure: 0-400 Bar
- ◆ Damp adjustable range: 0-100%
- ◆ Wetted part material: 316+BUNA
- ◆ Connection: thread M20*1.5M-M20*1.5F
1/2"NPT M-1/2"NPT F
G1/2"M-G1/2"F

SPECIAL VERSIONS

- ◆ Body material: 304, 316 , 316L
- ◆ Sealing material: as different process temperature
VITON:-25 +240°C
- ◆ Connection: other on request

Thread	A	B	H	SW
G1/2 – G1/2	30	40	63	27
NPT1/2 – NPT1/2	30	40	60	27

Pressure radiator AR

AR1 cooling tower

Radiation rate $K_{150}=60\%$
Pressure Max.600 bar



AR2 Capillary radiator

Radiation rate $K_{200}=65\%$
Pressure Max.100 bar



AR3 cooling device

Radiation rate $K_{150}=10\%$
Pressure Max.600 bar



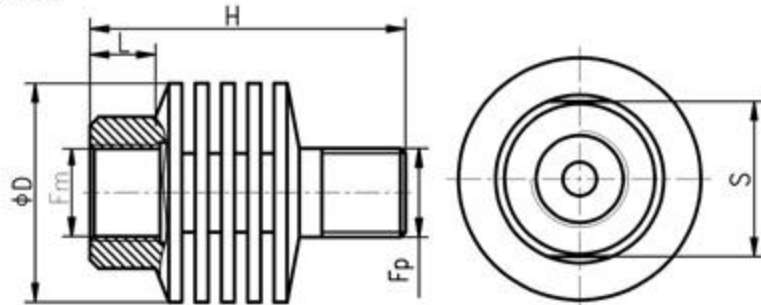
AR4 condensation siphon

Pipe thickness 1mm/2mm
Pressure Max.60 bar



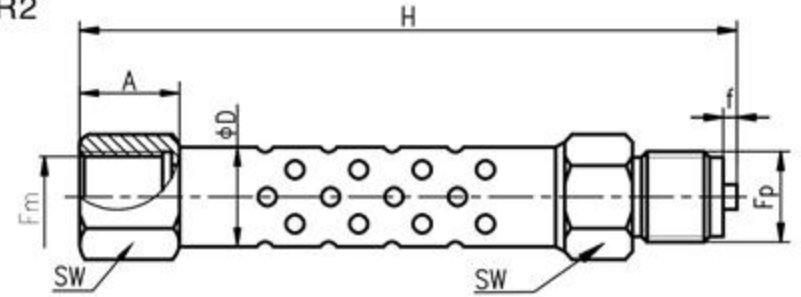
Dimensions (mm.)

AR1



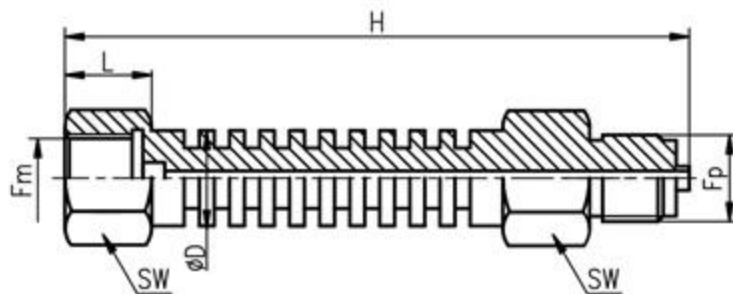
Fp/Fm	D	H	L	S
G1/2-G1/2	50	72	15	30
NPT1/2-NPT1/2	50	72	15	30

AR2



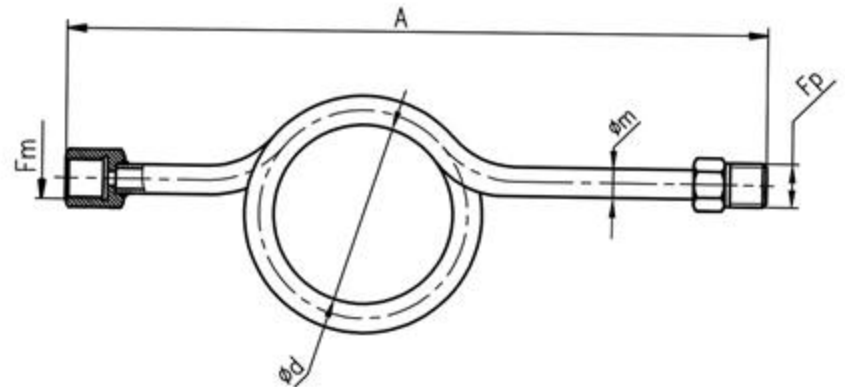
Fp/Fm	A	D	H	SW
G1/2-G1/2	21	22	147	24
NPT1/2-NPT1/2	21	22	144	24

AR3



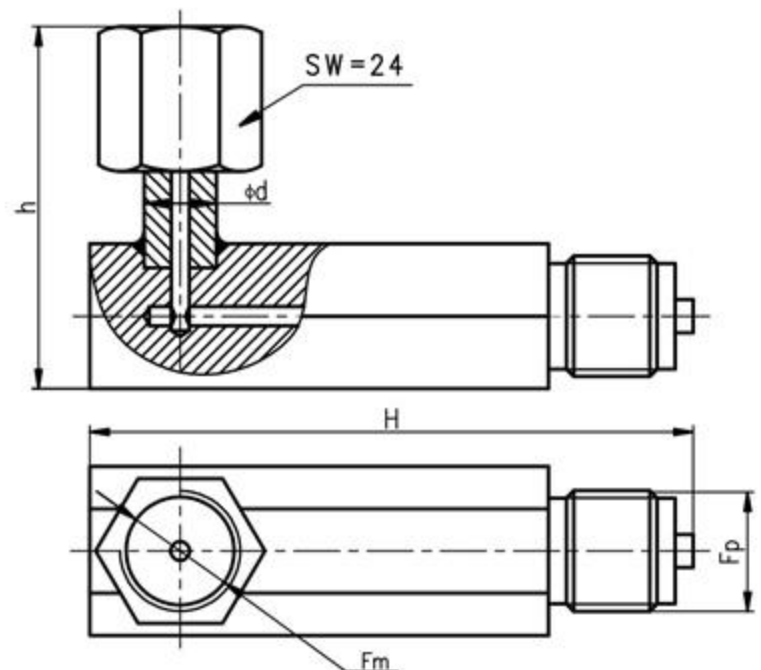
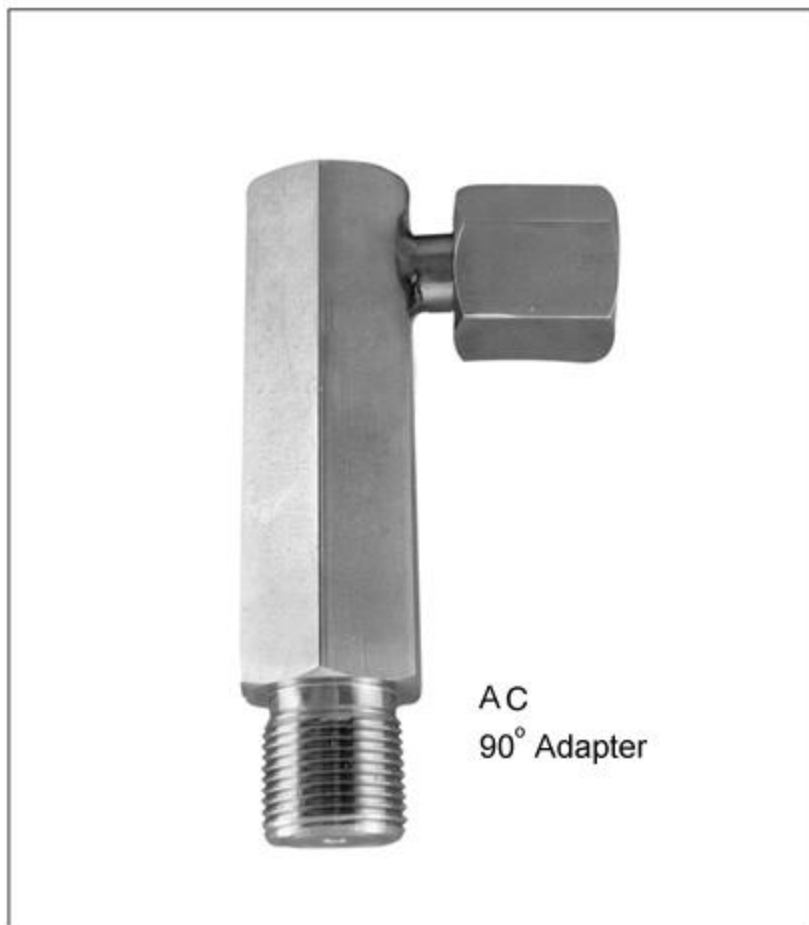
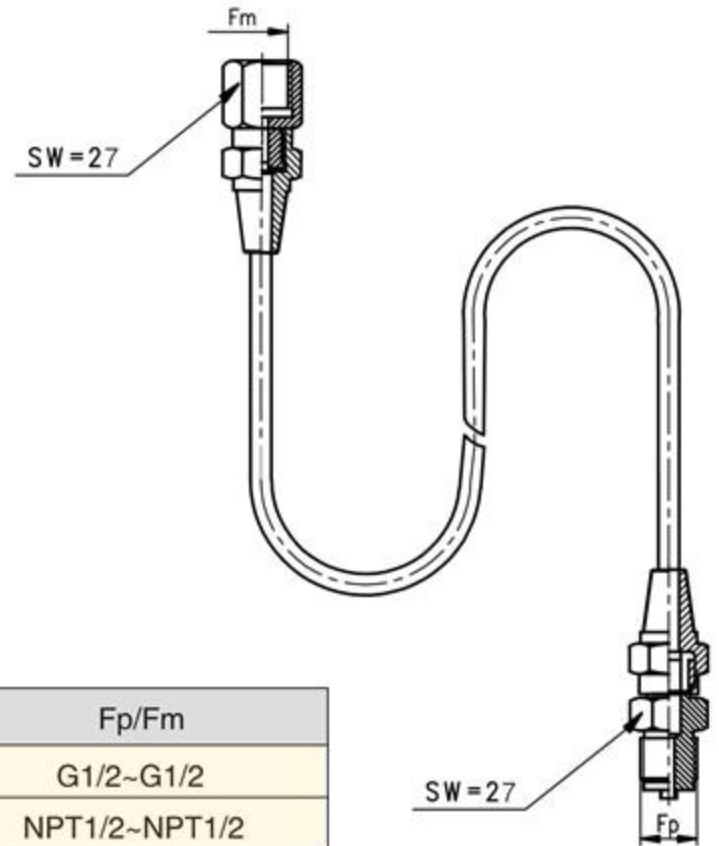
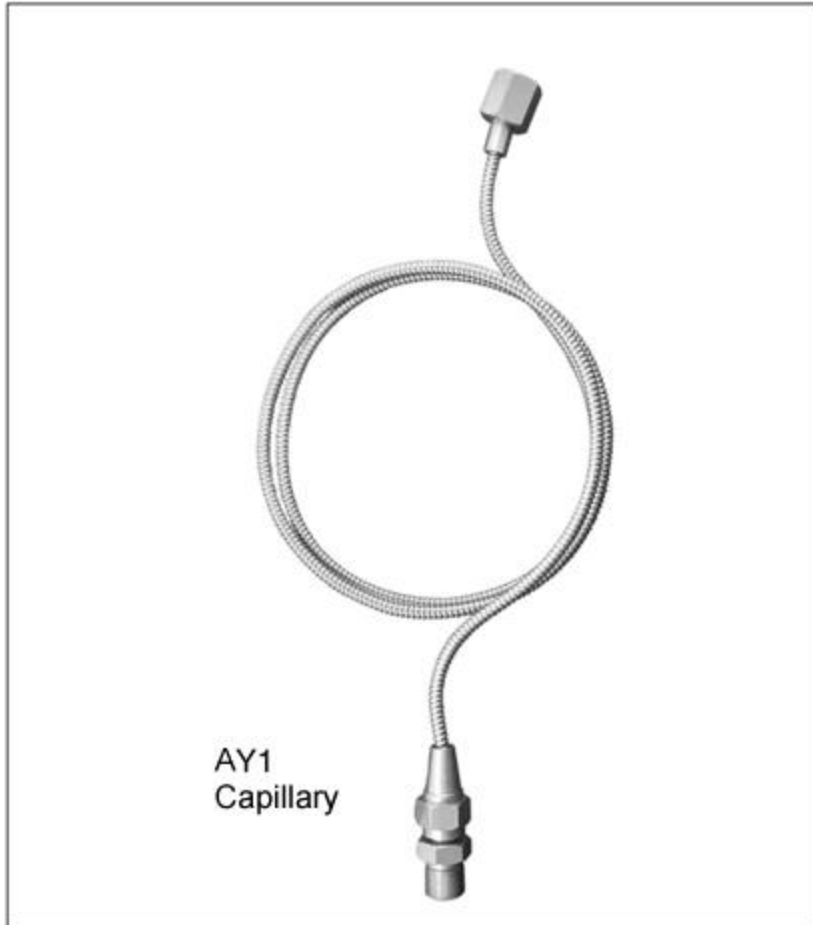
Fp/Fm	D	H	L	SW
G1/2-G1/2	22	145	20	27
NPT1/2-NPT1/2	22	142	20	27

AR4



Fp/Fm	A	d	m
G1/2-G1/2	282	83	12
NPT1/2-NPT1/2	282	83	12

Dimensions (mm.)



Fp/Fm	d	H	h
G1/2~G1/2	12	103	60
NPT1/2~NPT1/2	12	100	60

One Valve With A Bleeding 2FA

- ◆ Designed for use in chemical and petrochemical power plant and pharmaceutical
- ◆ Isolate the sensing element of pressure gauges, pressures switches and pressure transmitters from process liquids
- ◆ Suitable for corrosive, nonviscous and clean gases or liquids switches and pressure transmitters from process liquids



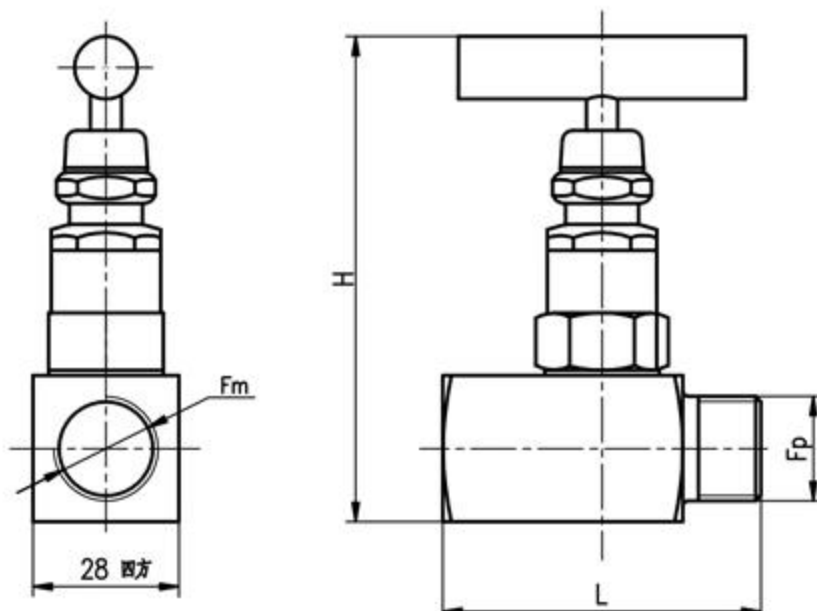
Specifications

- ◆ Nominal pressure: 0-400 Bar
- ◆ Working temperature: -30... +180°C
- ◆ Body material: 304
- ◆ Needle plug material: 316
- ◆ Packing material: PTFE
- ◆ Connection: thread M20*1.5M-M20*1.5F, 1/2"NPT M-1/2"NPT F, G1/2"M-G1/2"F

SPECIAL VERSIONS

- ◆ Material: 316, 316L
- ◆ Connection: other on request

Dimensions (mm.)



Fp/Fm	H	L
G1/2-G1/2	95	60
NPT1/2-NPT1/2	95	60

Two Valves Manifold 2FB

- ◆ Designed for use in chemical and petrochemical power plant and pharmaceutical
- ◆ Isolate the sensing element of pressure gauges, pressures switches and pressure transmitters from process liquids
- ◆ Suitable for corrosive, nonviscous and clean gases or liquids switches and pressure transmitters from process liquids



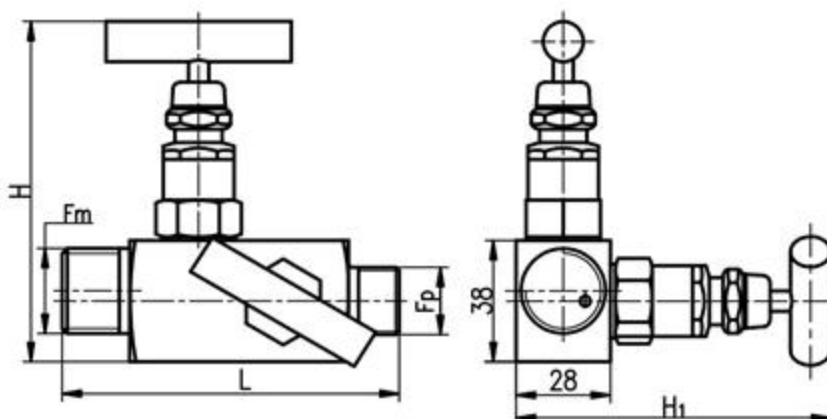
Specifications

- ◆ Nominal pressure: 0-400 Bar
- ◆ Working temperature: $-30 \dots +180^{\circ}\text{C}$
- ◆ Body material: 304
- ◆ Needle plug material: 316
- ◆ Packing material: PTFE
- ◆ Connection: thread M20*1.5M-M20*1.5F, 1/2"NPT M-1/2"NPT F, G1/2"M-G1/2"F

SPECIAL VERSIONS

- ◆ Material: 316, 316L
- ◆ Connection: other on request

Dimensions (mm.)



Fp/Fm	H	H1	L
G1/2-G1/2	103	90	100
NPT1/2-NPT1/2	103	90	100

Three Valves Manifold 3FC

- ◆ Designed for use in chemical and petrochemical power plant and pharmaceutical
- ◆ Isolate the sensing element of pressure gauges, pressures switches and pressure transmitters from process liquids
- ◆ Suitable for corrosive, nonviscous and clean gases or liquids switches and pressure transmitters from process liquids



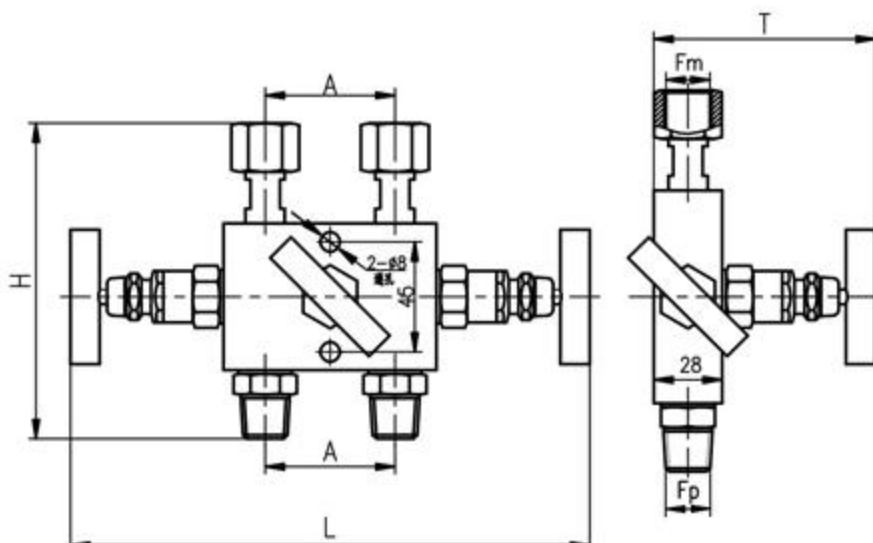
Specifications

- ◆ Nominal pressure: 0-240 Bar
- ◆ Working temperature: -30... +180°C
- ◆ Body material: 304
- ◆ Needle plug material: 316
- ◆ Packing material: PTFE
- ◆ Connection: thread M20*1.5M-M20*1.5F, 1/2"NPT M-1/2"NPT F, G1/2"M-G1/2"F

SPECIAL VERSIONS

- ◆ Material: 316, 316L
- ◆ Connection: other on request

Dimensions (mm.)



Fp/Fm	A	H	L	T
G1/2~G1/2	54	133	212	89
NPT1/2~NPT1/2	54	130	212	89