



## Test Pressure Gauge



# ► MN-T

### Product overview

The test pressure gauge can be used to check common pressure gauge which is using in the industry process, and it can be used directly to do high precision measuring.

MN-T-S type test pressure gauge can work perfectly in the occasion without corrosion to copper alloy.

MN-T-P type can work in varies corrosion environments to do high precision measurement in the corrupt medias.

Product display	Type	Code	Accuracy
 <b>MN-T</b> Standart type	Bottom Connection  Standard Type	MN-T-S-160	B (± 0.25%) C (± 0.4%)
 <b>MN-T</b> Stainless Steel	Bottom Connection  Stainless steel corrosion-proof type	MN-T-P-160	B (± 0.25%) C (± 0.4%)



# Test Pressure Gauge

## ► MN-T

### Technical specifications

#### MN-T-S

- ◆ Accuracy:  $\pm 0.25\%$ ;  $\pm 0.4\%$
- ◆ Range: 1 to 600 Bar
- ◆ Burdon tube: 60 Bar –to– tin welding between phosphor bronze C–type burdon tube and brass.
- ◆ Movement: Copper alloy
- ◆ Connection: M20x1.51 (M) (Other standard connections available)
- ◆ Case: Steel case with black painted
- ◆ Dial: White aluminum, black scale line
- ◆ Pointer: 65Mo, Steel, knife end

#### MN-T-P

- ◆ Burdon tube/socket: 0– 60 Bar argonarc welding between stainless 100-600 Bar argonarc welding between stainless steel helical tube and stainless steel socket.
- ◆ Case: AISI 304 stainless steel
- ◆ Other features as MN-T-S

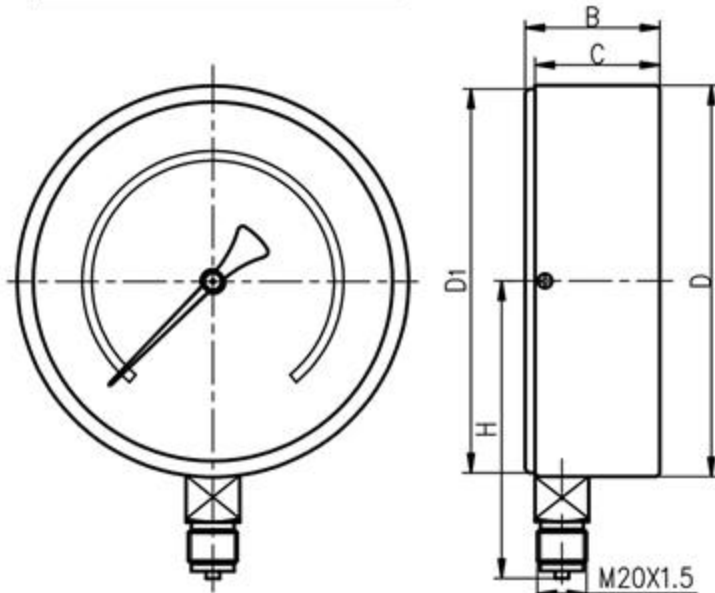
### How to Order

Please specify the following properties when the manometer ordering.

- Model number,
- Dial size,
- Range and pressure unit,
- Connection type,
- Connection thread,
- Accuracy,
- If necessary; special scale,...

For example: **MN-T-S-160-(0/25 Bar)-Bottom-R1/2-0.25**

### Dimensions (mm.)



Type code	D	D1	B	C	H
MN-T	160	157	55	51	122