

## General Series Pressure Gauges

# ► MN-S

### Product Overview

MN-S series General Service Pressure Gauge suitable for the non-explosion, non-crystal, non-solid and non-corrosion to the copper alloy. The pressure system consists of socket, bourdon tube and transfer mechanism and show the value through the pointer. The pressure gauge of 100 and 150mm has many ways to mount: bottom mounting, bottom mounting with back flange, bottom panel mounting with front flange, back mounting, back panel mounting with front flange and so on.

100 mm. Bottom Connection



MN-S-100..Bottom

150 mm. Bottom Connection



MN-S-160..Bottom

100 mm. Back Connection

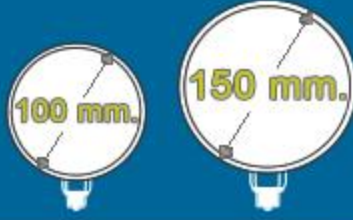


MN-S-100..Back

150 mm. Back Connection



MN-S-160..Back



## General Series Pressure Gauges

# ▶ MN-S

### Specifications

- ◆ Accuracy:  $\pm 1.6\%$
- ◆ Range: 0 ~ 1 Bar to 0 ~ 600 Bar
- ◆ Working pressure: Steady: 3/4 of full scale value. Fluctuating: 3/2 of full scale value. Short time: full scale value.
- ◆ Ambient temperature:  $-40 \sim 70^{\circ}\text{C}$  (Relative humidity  $\leq 85\%$ )
- ◆ Temperature impact: The temperature change is not More than  $0.6\%/10^{\circ}\text{C}$  When the temperature deviates from  $20 \pm 5^{\circ}\text{C}$ .
- ◆ Bourdon tube / socket: Soft soldering for phosphor bronze bourdon tube and brass Socket.
- ◆ Welding:  $\Phi 100$ 、 $\Phi 150$  4% silver Soldering Over 0 ~ 40 Bar , high temperature type, 40% Silver Soldering available for Stainless Steel Bourdon Tube.
- ◆ Internals: Copper alloy.
- ◆ Case: ST13 with black plated
- ◆ Dial: white aluminium dials with black marking .
- ◆ Pointer: Aluminium, black.
- ◆ Window: plain glass, plexiglass.
- ◆ Connection: G1/2", 1/2" NPT and Other threads available.

Table of ranges

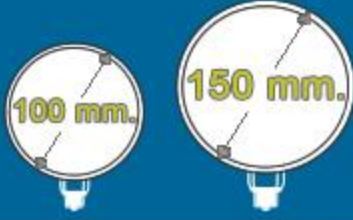
-1 ~ 0 Bar	1 Bar	40 Bar
-1 ~0.6 Bar	1.6 Bar	60 Bar
-1 ~ 1.5 Bar	2.5 Bar	100 Bar
-1 ~ 3 Bar	4 Bar	160 Bar
-1 ~5 Bar	6 Bar	250 Bar
-1 ~ 9 Bar	10 Bar	400 Bar
-1 ~ 15 Bar	16 Bar	600 Bar
-1 ~ 24 Bar	25 Bar	

### How to Order

Please specify the following properties when the manometer ordering.

- Model number,
- Dial size,
- Range and pressure unit,
- Connection type,
- Connection thread,
- Accuracy,
- If necessary; special scale, accessories

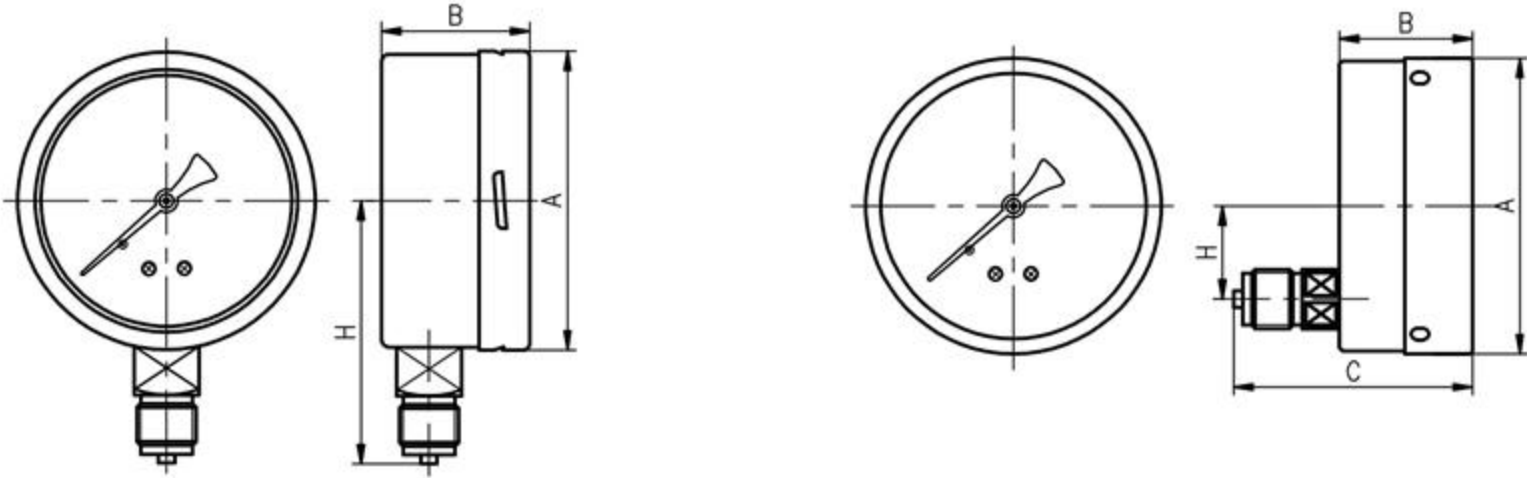
For example: **MN-S-150-(0/100 Bar)-Back-R1/2-1.6**



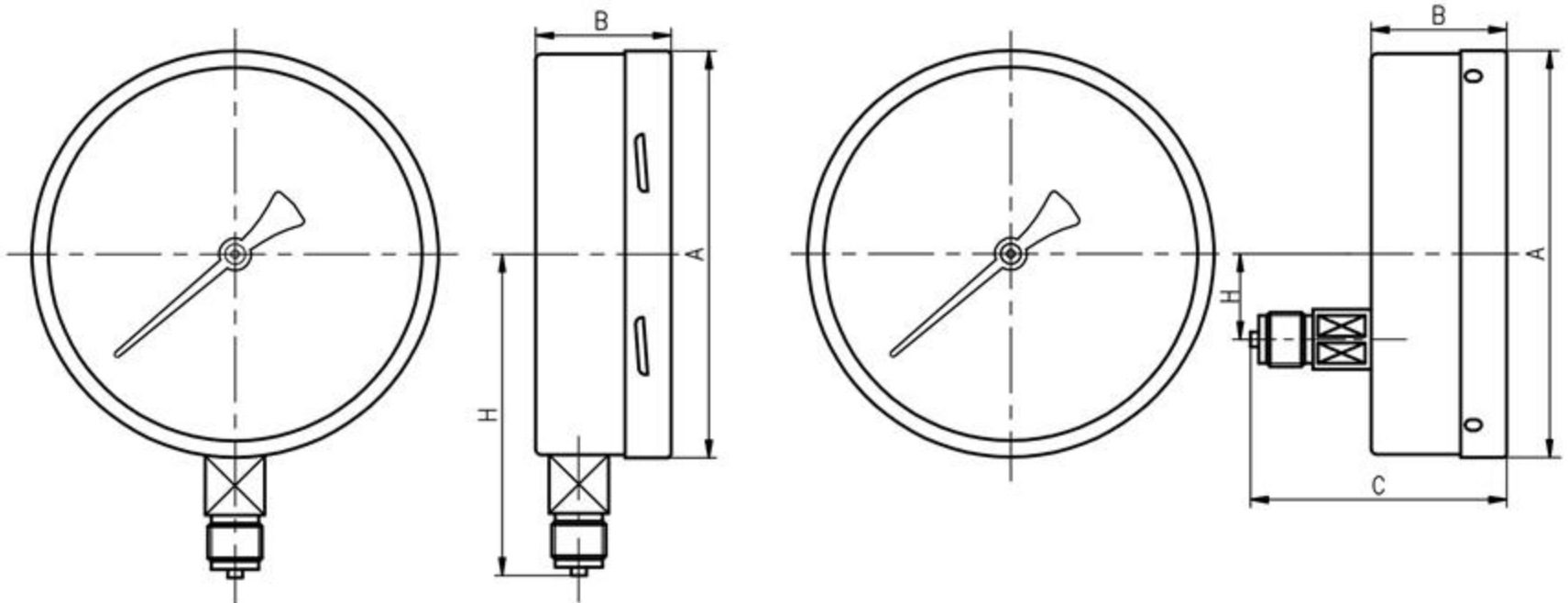
# General Series Pressure Gauges

## ► MN-S

### Dimensions (mm.)



Diameter 100 mm.



Diameter 150 mm.

Type	A	B	C	H
100 mm.Bottom	101mm	50mm		89mm
100 mm.Back	100mm	45mm	80mm	31.5mm
150 mm.Bottom	150mm	50mm		118mm
150 mm.Back	150mm	50mm	94.5mm	31.5mm