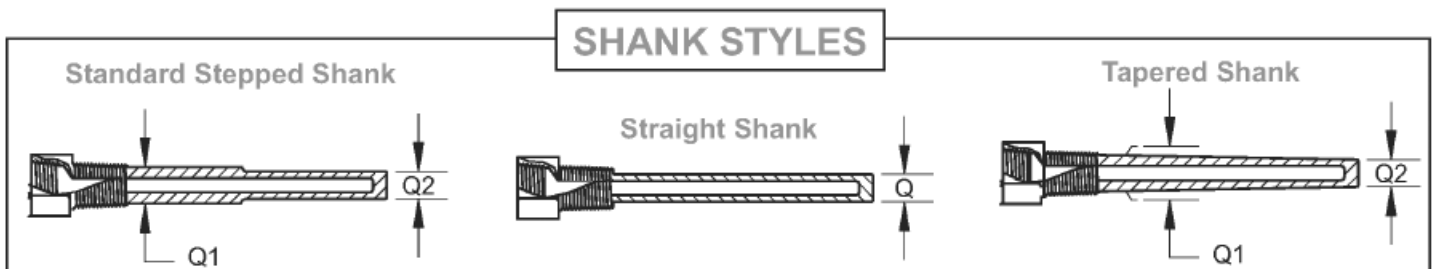
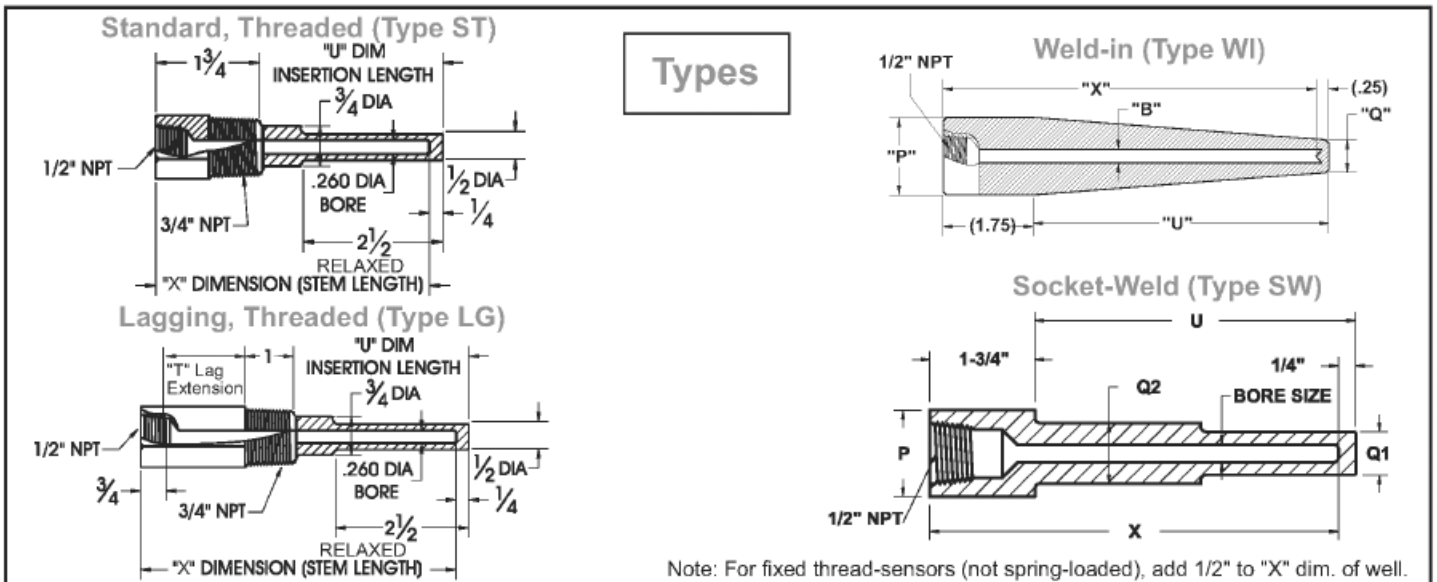


Thermowells Thermocouples & RTD's

Thermowells are mated with spring loaded RTD's and Thermocouples.
Each stainless Thermowell is die stamped with the type of material from which it is made.



How To Order

ST

—

4

—

304

—

—

—

Type		Stem Length "X"	Material	External Thread	Shank	Bore
ST = Threaded		2 = 2.5"	304 = 304 SS	For Threaded Wells Blank for std. (3/4" NPT) " " = 3/4" NPT (std)	Blank for std. (stepped) " " = Stepped (std.) T = Tapered S = Straight	
LG = Threaded Lagging		4 = 4"	316 = 316SS/316L			
SW = Socket Weld		6 = 6"	B = Brass	-1 = 1" NPT H = 1/2" NPT 4 = 1/4" NPT 44 = 1/4" ext. x 1/4" int. NPT -2 = 1.5" NPT		
SWL = Socket Weld w/ lag		9 = 9"	C = Carbon Steel (1018)			
WI = Weld-in		12 = 12"	G = Hast B	For Socket Weld and Weld-in wells Blank for std. (3/4" pipe) " " = 3/4" pipe nominal (1.050" OD)-std P1 = 1" pipe nominal (1.315" OD)		
WIL = Weld-in w/lag		2.0 = 2"	H = Hast C			
Standard Dimensions				Bore Diameter		
Stem "X" Dim.	Std. "U" Dim.	Lagging "U" Dim.	Overall Length	Blank for std. (.260 Bore) " " = .260 (std.) B3 = .385 B5 = .515		
2 1/2"	1 5/8"	---	2 7/8"			
4"	2 1/2"	---	4 1/4"			
6"	4 1/2"	2 1/2"	6 1/4"			
9"	7 1/2"	4 1/2"	9 1/4"			
12"	10 1/2"	7 1/2"	12 1/4"			
				M = Monel/A400 T = Titanium Y = Inconel A = Alloy 105 Carb. Stl. 2 = Alloy 20 5 = F5 Alloy P = PRFE Coated 316SS N = F22 Alloy **For other Materials, use flanged well codes.		



How To Order

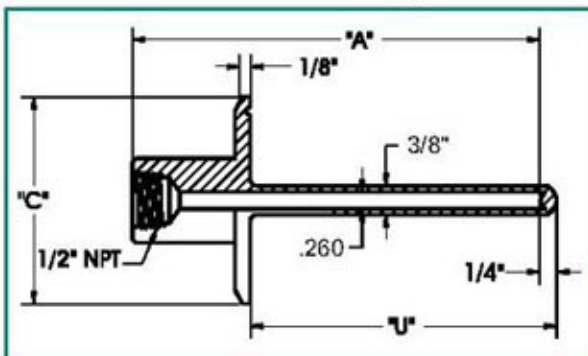
05 — 1 — R — 2 — S — T — U020 — L042

Flange Size	Flange Rating	Sealing Face	Bore Diameter	Material	Shank Style	"U" Dimensions	Overall Length	
05 = 1/2" 10 = 1" 15 = 1.5" 20 = 2" 25 = 2.5" 30 = 3" 07 = 3/4"	1 = 150# 3 = 300# 6 = 600# 9 = 900 - 1500# 5 = 2500# V = VanStone	R = Raised Face F = Flat Face J = RTJ (Ring type joint) Q = Other (Specify)	2 = .260" (for 1/4" stem) 3 = .385" (for 3/8" stem) Q = Other (Specify)	S = 316SS F = 304SS C = Carbon Stil. D = Carp. 20 G = Hast B H = Hast C (276) L = F 11 Alloy M = Monel Y = Inconel (600) U = Tantalum Lined Z = Zirconium (316 flg) V = 317SS T = Titanium	T = Tapered S = Straight P = Stepped R = Tapered w/ support ring Q = Other	U020 = 2" U040 = 4" U070 = 7" U100 = 10" U130 = 13" U160 = 16" U220 = 22" U225 = 22.5" M250 = 250mm	L042 = 4.25" L062 = 6.25" L092 = 9.25" L122 = 12.25" L152 = 15.25" L182 = 18.25" L242 = 24.25" L247 = 24.75" M307 = 307mm	
					K = 316/ Stellite coating 2 = Alloy 20 5 = F5 Alloy N = F22 Alloy P = PTFE coated 316SS		Note: std. overall length for a given "U" is on same line.	

Thermowells Sanitary Thermowells

Features

- Provides Sanitary Protection for Temperature Probes
- All 316L Stainless Steel Construction
- Fast Installation & Removal
- Ideal for Food, Beverage, Biotech & Pharmaceutical Applications
- Finish Exceeds Ra 32 max. (finer finishes available)
- Exceeds 3A #4 Finish



How To Order



Tri-Clamp Size	"A" Stem Lengths	Part No.	"U" Dim	"C" Dim (Flange Dia.)
1 1/2"	2 1/2"	STF1.5-2.5	1 5/8"	2.0" (51mm)
	4"	STF1.5-4	2 1/2"	
	6"	STF1.5-6	4 1/2"	
	9"	STF1.5-9	7 1/2"	
2"	2 1/2"	STF2-2.5	1 5/8"	2.5" (63mm)
	4"	STF2-4	2 1/2"	
	6"	STF2-6	4 1/2"	
	9"	STF2-9	7 1/2"	
2 1/2"	2 1/2"	STF2.5-2.5	1 5/8"	3.0" (76mm)
	4"	STF2.5-4	2 1/2"	
	6"	STF2.5-6	4 1/2"	
	9"	STF2.5-9	7 1/2"	
3"	2 1/2"	STF3-2.5	1 5/8"	3.6" (91mm)
	4"	STF3-4	2 1/2"	
	6"	STF3-6	4 1/2"	
	9"	STF3-9	7 1/2"	