

Melt Bolt Thermocouples



see catalog # RTDTC, p.13

Plain Wire & Bulk Wire



see catalog # RTDTC, p.14

Hand Held Digitals/Probes



see catalog # RTDTC, p.15

3A Sanitary RTD's & TC's



see catalog # RTDTC, pp.16-17

Thermowells



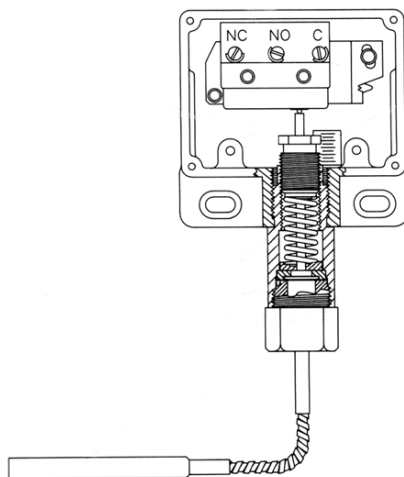
see catalog # RTDTC, pp.18-19

Accessories



see catalog # RTDTC, p.19

Temperature Switches



Standard Features

- Adjustable ranges - 50°F to 1,000°F
- NEMA 4X or Explosion-proof housing
- 3 year factory warranty
- Direct or Remote Mount
- SPDT or DPDT, 15A Switch
- 1/2" NPTM Process Connection
- 316SS, 3/8" diameter stem

**Other styles available-
Call for more information.**