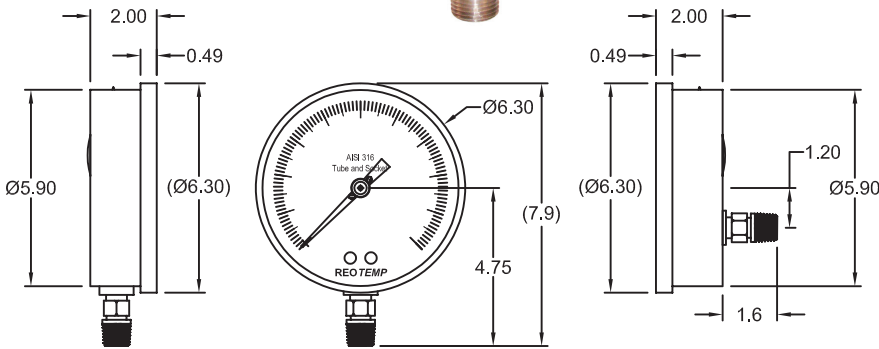
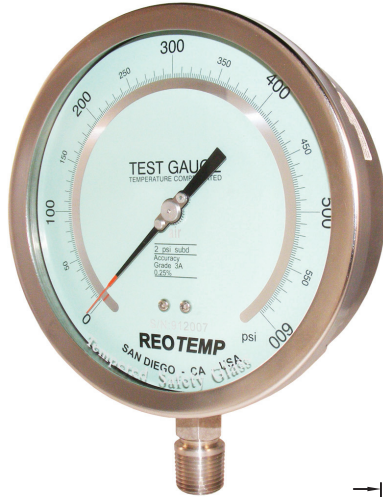


6" Test Gauge Industrial, Stainless Steel

REOTEMP's Series PL test gauge is designed for use in laboratories, testing or recalibration facilities, or wherever accuracy and repeatability are of prime importance. Rugged, all-welded stainless steel construction makes this gauge suitable for almost any test application. Reading error due to parallax is eliminated by use of a knife-edge pointer and mirror dial.



Features/Benefits:



- S.S. Case & Bayonet Ring
- S.S. Wetted Parts, Repairable
- All-Welded Construction

Specifications:

- Case:** 304 Stainless Steel (non-fillable)
- Ring:** S.S., Bayonet, Repairable
- Wetted Material:** 316SS
- Lens:** Tempered Safety Glass
- Dial:** Aluminum, Black Figures on Light Background, Anti-Parallax Mirror
- Pointer:** Micro-Adjustable, Knife Edge
- Temperature:** Calibrated at 70°F (20°C)
Ambient Temp. Error: +.03% Per +10°F & -.03% Per -10°F
- Accuracy:** 0.25% Full Scale

HOW TO ORDER

PL — **60** **M** **1** **A** **4** **P23**

Dial: 60 = 6"	Case: M = 304 S.S., Bayonet, 0.25% Accuracy	Tube & Socket: 1 = 316S.S.	Mounting: A =  Bottom C =  Lower Back	Connection: 4 = 1/4" NPT 2 = 1/2" NPT	Range Code: <i>See Page 12 of Press. Product Catalog for Range Codes</i> Vac. to 10,000 PSI Consult Factory For Higher Ranges	Options: ■ Custom/Logo Dials
-------------------------	---	--	--	--	---	--

Distributed by:

Measuring your world since 1965