



CE
(Fig. A)

TC6 General Purpose Housing
(shown with mini-DIN conn.)

The TC6 series is a general purpose transmitter well-suited to measure compatible gases and liquids. Available in +/- 1.0% or .25% accuracy.

Features:

- +/-1.0% or .25% full scale
- All 316/316L S.S. wetted parts
- NEMA 4X (IP66)
- CE approved
- Resists shock and vibration

Applications:

- Compressors
- Pumping Systems
- Irrigation Equipment
- Hydraulic
- Industrial Process Monitoring

SPECIFICATIONS:

Service: Compatible gases and liquids.

Wetted Materials: Type 316, 316L SS.

Accuracy: +/-1.0% or .25% full scale (includes linearity, hysteresis, and repeatability).

Temperature Limit: 0 to 200°F (-18 to 93°C).

Compensated Temperature Range: 0 to 175°F (-18 to 79°C).

Thermal Effect: ±0.04% FS/°F (includes zero and span).

Pressure Limits: See table below.

Power Requirements: 13 to 30 VDC.

Output Signal: 4 to 20 mA. Optional 0-5, 1-5, 0-10, 1-6 or 2-10.

Response Time: 50 msec.

Loop Resistance: 0 - 1300 ohms maximum for current. For voltage outputs, minimum load resistance: 2000 ohms.

Current Consumption: Transmitter: 40 mA max; Transmitter with optional display: 140 mA max.

Electrical Connections: General Purpose Housing (-GH): cable, DIN connector or 4-pin M-12.

Process Connection: 1/4" male/female NPT and BSPT.

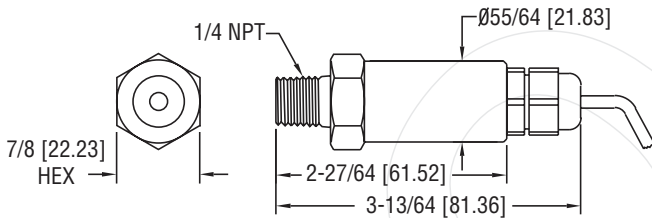
Display: Optional 4-1/2" digit 1/2" (12.7 mm) height red LED.

Enclosure Rating: NEMA 4X (IP66).

Mounting Orientation: Mount in any position.

Weight: 10 oz (283 g).

Agency Approvals: CE



| Proof and Burst Pressures | Proof pressure | Burst pressure |
|---------------------------|----------------|----------------|
| 0/5 thru 0/30 psi | 2 X range | 10 x range |
| 0/45 thru 0/1,000 psi | 2 X range | 5 x range |
| 0/1,500 thru 0/8,000 psi | 1.25 X range | 1.5 x range |

HOW TO ORDER

TC — **6** **P20** **7** **A** **4** **K**

| TC6: | Range: | Accuracy: | Output Signal: | Process Connection: | Electrical Connection: | Options: |
|---|--|---|---|--|--|--|
| General Purpose Transmitter without zero & span capability. | SEE CATALOG RPP PAGE 39 FOR RANGE CODES | 7 = +/-1.0% F.S. 2 = +/- .25% F.S. | A = 4-20mA, 2 wire (std) B = 0-5 VDC, 3 wire C = 1-5 VDC, 3 wire D = 1-6 VDC, 3 wire E = 0-10 VDC, 3 wire G = 2-10 VDC, 3 wire | 4 = 1/4" NPT (Male) 5 = 1/4" NPT (Female) Y = 1/4" BSPT (Male) Z = 1/4" BSPT (Female) | A = Mini DIN connector (w/36" cable) B = Mini DIN connector (see Fig. A) K = 36" Cable X = 72" Cable G = M-12 4-Pin conn. | S = Snubber (Diaphragm Seals available) |
| Vacuum, Compound, Pressure (0/5 psi up to 0/8,000 psi) | | | | | | |

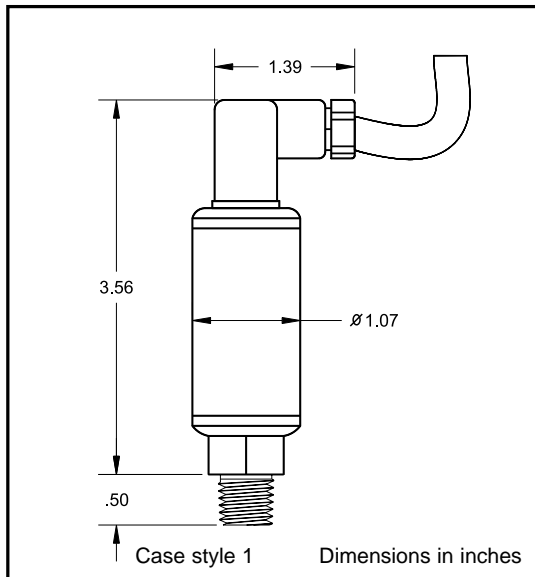
- 0.5% or 0.25% accuracy, for general industrial use
- All-stainless welded body and wetted parts
- 4-20 mA or Voltage Output
- Rugged, with protection from shock, over-range, & over-voltage. Internals potted in silicone gel.
- Internal zero & span adjustments
- Compatible with Reotemp DM series Digital Indicators
- 100% inspected, "Ready-to-go" out of the box



Applications:

Process control, engine testing, hydraulics, injection molding, stamping presses, machine controls, most general industrial pressure applications.

TG series transmitters are compatible with Reotemp DM series digital indicators (p.37). Each Reotemp transmitter is inspected and calibrated prior to shipment, to ensure it is 100% "Ready-to-Go" right out of the box!



Note: dimensions are nominal and may vary. Check with Reotemp sales if dimensions are critical.

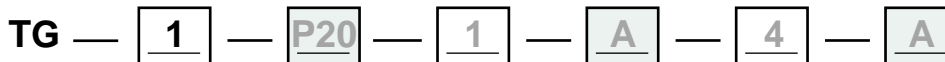
Specifications: (Also see General specs, page 39)

Output Signal: 4-20 mA, 2 wire (std)
0-5 V, 0-10 V, 1-6 V, or 1-11 VDC (3 wire)
Pressure Ranges: Vacuum, compound, pressure to 15000PSI; gauge and absolute

| Proof and Burst Pressures | Proof pressure | Burst pressure |
|---------------------------|----------------|----------------|
| 0/5 thru 0/200psi | 3 x range | 3.8 x range |
| 0/300 thru 0/10,000 psi | 1.75 x range | 4 x range |
| 0/15,000 psi | 1.5 x range | 3 x range |

Accuracy (BFSL): +/- 0.5% of span (standard)
(incl. repeatability, +/- 0.25% of span (optional)
hysteresis, and linearity):
Adjustment: +/- 10% full scale, zero & span
Input: 12-30 VDC (for current output)
14-30 VDC (for voltage output)
Temperature: Compensated: +32 to 175 deg F
Effect: +/- 0.02% of span / deg F
Media: -22 to 212°F (-30/100C)
Ambient: -40 to 185°F (-40 to 85°C)
Weight: Approx. 3.5 oz (90g)

HOW TO ORDER



| | | | | | | |
|---|--|--|---|---|--|---|
| <p>TG1 = General Purpose Transmitter (Case style 1)*</p> | <p>Range: SEE PAGE 39 FOR RANGE CODES Vacuum, Compound, Pressure 0/5psi to 0/15,000psi</p> | <p>Accuracy: 1 = +/-0.5% Full Scale (std) 2 = +/-0.25% Full Scale</p> | <p>Output Signal: A = 4-20mA, (2 wire) (std) B = 0-5 VDC, 3 wire C = 1-5 VDC, 3 wire D = 1-6 VDC, 3 wire E = 0-10 VDC, 3 wire F = 1-11 VDC, 3 wire</p> | <p>Process Connection: 4 = 1/4" NPT (Male) 7 = 7/16-20UNF Male (SAE J-514) 8 = 1/8" NPT (Male)</p> | <p>Electrical Connection: A = Mini-Hirschmann (w/36" cable) B = Mini-Hirschmann (no cable) E = 4 pin Bendix* F = 6 pin Bendix* J = 1/2" NPT Conduit (w/36" cable)</p> | <p>Options: 1 = Threaded Orifice (SS, M3.5) 2 = Restrictor Screw S = Snubber (Diaphragm Seals available)</p> |
|---|--|--|---|---|--|---|

*Note: All dimensions and specs. are for case style 1. Other case styles available.

*Mating Connector sold separately