

MECHANICAL PRESSURE SWITCHES

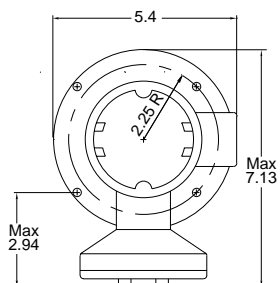
REOTEMP's Mechanical Pressure Switches are suited for a variety of process applications, where electrical devices must be turned on/off in response to changing process pressure.



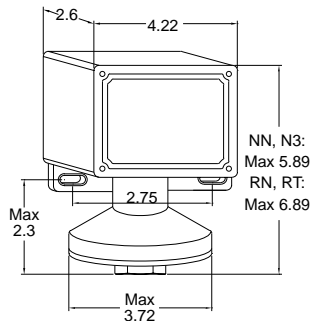
- **Reliable** Piston-Actuated, Force Balanced construction
- **Rugged**, high cycle rate tolerance
- **Precise** resolution of set points
- **Field-Adjustable** set points (No - charge factory calibration)
- **Simple Installation** - no special tools
- **Long Service Life** - no required periodic service - no spare parts required
- UL, CSA **certified** switching elements

Dimensions

Explosion Proof Case



NEMA 4 Case



Dimensions in inches

Standard Specifications

Switching Elements: SPDT, or DPDT

Current Capacity: 15A at 250VAC; 5A at 30VAC

Housing: NEMA 4, 4X, or Explosion Proof
(Class.1, Group C & D; Class.2, Group E,F,G, Division 1, 2)

Electrical Outlet: 3/4" NPTF

Adjustable Setpoints: From full vacuum to 550psi

Wetted Diaphragm: Teflon/Buna, 316 SS/Viton.

Wetted Pressure Ports: 316 SS, Aluminum, Cast Iron

Ovrange: 200 psi to 1,500 psi

Warranty: 3 years

Note: Specifications are for standard switches shown on next page. A wide variety of alternate housings, ranges, switches, wetted parts and options are available on request.