

SERIES SG

REOTEMP PRESSURE PRODUCTS

SANITARY PRESSURE GAUGES

REOTEMP sanitary gauges are specially designed to meet the demanding sanitary requirements of food, dairy, beverage, pharmaceutical, and biotech applications.

- Quick connecting Tri-clamp design
- Fast removal and installation of instruments, to allow flushing or changing the process media
- Ideal for clean-in-place, or equipment washdown
- Designed to meet 3-A sanitary standards
- Comes with 3-A certification
- All welded 316 SS Tube, Socket, Seal, and Diaphragm

Specifications:

Dial sizes: 2", 2.5", 3.5", 4"

Wetted Parts: 316L polished SS

Case & Ring: 300 series polished SS

Process Connection: Tri-clamp, lower or back
Other connections optional

System Filling: USP Glycerin (standard), Silicone, Neobee (optional)

Windows: Polycarbonate (2.5" & 3.5")
Laminated Safety Glass (4"), Glass (2")

Accuracy: **Standard Seal:** 1.5% for ranges 100 psi and above. 2% for compound and below 100 psi ranges.

Fractional Seal: Ranges 60 psi & above - 2.5% up scale†, up to 4% downscale.

† Due to the compact nature of the fractional seal, choice of gasket can affect gauge accuracy. The REOTEMP Fractional Gauge is factory calibrated using a standard 3/4" buna gasket. When choosing a gasket, care should be taken so the gasket does not push on the diaphragm.

Options:

Liquid Filled Case - Glycerin - USP Food Grade,
Other fills on request.

Alternate Process Connections - Cherry-Burrell "I" line or Bevel seat type

Alternate Seal fill fluids - Neobee M-20, Silicone 200, Vegetable Oil

Calibration - Traceability certs, with or without logged points



To Order: Specify Part Number + Range Code				
Standard Seal Sizes (1.5", 2" Tri-clamp)				
Part Number	Gauge Size	Connection Location	Tri-clamp Size	Available Ranges (psi)*
SG20 A TC 15 SG20 C TC 15	2"	Bottom Back	1.5"	All
SG20 A TC 20 SG20 C TC 20		Bottom Back	2"	
SG25 A TC 15 SG25 C TC 15	2.5"	Bottom Back	1.5"	
SG25 A TC 20 SG25 C TC 20		Bottom Back	2"	
SG35 A TC 15 SG35 C TC 15	3.5"	Bottom Back	1.5"	All
SG35 A TC 20 SG35 C TC 20		Bottom Back	2"	
SG40 A TC 15 SG40 C TC 15	4"	Bottom Back	1.5"	0/60 to 0/1000
SG40 A TC 20 SG40 C TC 20		Bottom Back	2"	
SG60 A TC 15 SG60 A TC 20	6"	Bottom	1.5"	0/160 to 0/1000
		Bottom	2"	

*Pressures over 600 psi may require special clamps

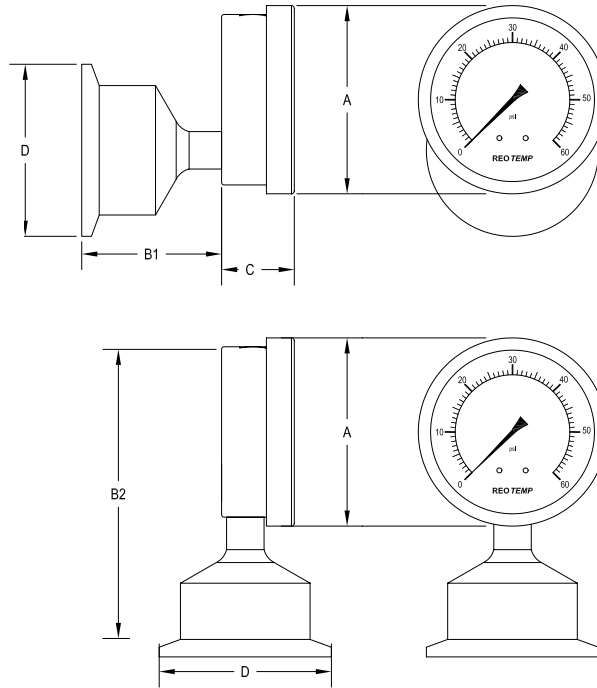
Fractional Seals (3/4" Tri-clamp)				
SG20 A TC 75 SG20 C TC 75	2"	Bottom Back	3/4"	30"Hg/0/30psi to 0/1000
SG25 A TC 75 SG25 C TC 75	2.5"	Bottom Back	3/4"	0/160 to 0/1000

Fractional Seals come with 3/4" tri-clamp and buna gasket.

To Order: Specify part number and range code (see "How to Order")

Triclamp Size	"D" Diameter
3/4"	0.98 (24.8)
1.5"*	1.98 (50.3)
2"	2.58 (65.5)
2.5"	3.05 (77.5)
3"	3.57 (90.7)
4"	4.68 (119)

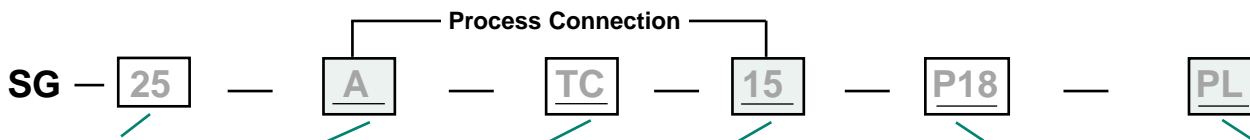
*1.5" triclamp seal fits 1.5" and 1" triclamp fittings.



Dial Size	A	B 1*	C
2"	2.05 (52)	1.6 (41)	1.11 (28.2)
2.5"	2.69 (68.4)	2.5 (64)	1.19 (30.2)
3.5"	3.5 (89)	2.4 (61)	1.25 (31.7)
4"	4.4 (112)	5.1 (130)	1.95 (49.5)

Dial Size	A	B 2*	C
2"	2.05 (52)	3.6 (91.4)	1.11 (28.2)
2.5"	2.69 (68.4)	4.8 (122)	1.19 (30.2)
3.5"	3.5 (89)	5.7 (145)	1.25 (31.7)
4"	4.4 (112)	7.0 (178)	1.95 (49.5)
6"	6.2 (157.5)	9 (228.6)	2 (50.8)

Dimensions are in inches (mm).
* "B" dimensions are for 1.5" and 2" triclamps.

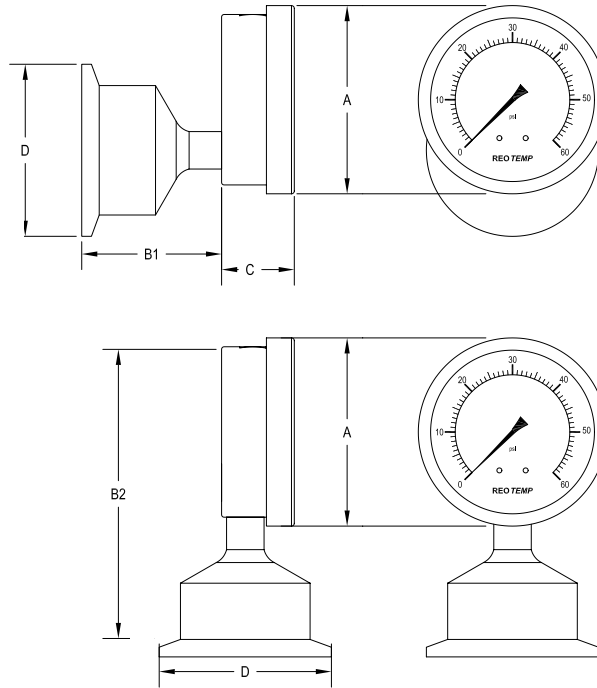


Gauge Size:	Location:	Clamp Type:	Clamp Size:	PRESSURE (PSI)	Options:
20 = 2"	A = Bottom	TC = Tri-Clamp	15 = 1.5"	P15 0/15	PL = Polysulfone lens (for autoclaving)
25 = 2.5"	C = Lower Back	CI = "I" Line	20 = 2"	P16 0/30	MP = Max pointer (2 1/2", 4" only)
35 = 3.5"	R = Right Side	(Other connections on application)	25 = 2.5"	P17 0/60	EP = Electropolished wetted parts
40 = 4"	L = Left Side	CP = CPM type	30 = 3"	P18 0/100	CC3 = Cert. Of calibration (3 pt.)
60 = 6"*	T = Top	TH = Tuchenhagen	40 = 4"	P19 0/160	CC5 = Cert. Of calibration (5 pt.)
			75 = 3/4"	P20 0/200	Case Fills (for vibration)
				P21 0/300	CFG = Glycerin
				P22 0/400	CFN = Neobee
				P23 0/600	CFS = Silicone
				P24 0/800	Alternate Seal Fill Fluids (std. is glycerin)
				P25 0/1000	SFN = Neobee
				VACUUM	SFS = Silicone
				P01 -30"Hg/0	SFV = Vegetable oil
				COMPOUND	Alternate Wetted Materials
				P02 30"Hg/0/15psi	H = Hast. C
				P03 30"Hg/0/30psi	T = Teflon coated 316SS
				P04 30"Hg/0/60psi	
				P05 30"Hg/0/100psi	
				P06 30"Hg/0/160psi	
				P07 30"Hg/0/200psi	
				P08 30"Hg/0/300psi	

(Other ranges available on application)

Triclamp Size	"D" Diameter
3/4"	0.98 (24.8)
1.5"*	1.98 (50.3)
2"	2.58 (65.5)
2.5"	3.05 (77.5)
3"	3.57 (90.7)
4"	4.68 (119)

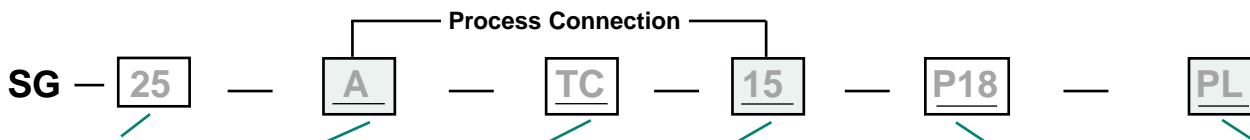
*1.5" triclamp seal fits 1.5" and 1" triclamp fittings.



Dial Size	A	B 1*	C
2"	2.05 (52)	1.6 (41)	1.11 (28.2)
2.5"	2.69 (68.4)	2.5 (64)	1.19 (30.2)
3.5"	3.5 (89)	2.4 (61)	1.25 (31.7)
4"	4.4 (112)	5.1 (130)	1.95 (49.5)

Dial Size	A	B 2*	C
2"	2.05 (52)	3.6 (91.4)	1.11 (28.2)
2.5"	2.69 (68.4)	4.8 (122)	1.19 (30.2)
3.5"	3.5 (89)	5.7 (145)	1.25 (31.7)
4"	4.4 (112)	7.0 (178)	1.95 (49.5)
6"	6.2 (157.5)	9 (228.6)	2 (50.8)

Dimensions are in inches (mm).
* "B" dimensions are for 1.5" and 2" triclamps.



Gauge Size:	Location:	Clamp Type:	Clamp Size:	PRESSURE (PSI)	Options:
20 = 2"	A = Bottom	TC = Tri-Clamp	15 = 1.5"	P15 0/15	PL = Polysulfone lens (for autoclaving)
25 = 2.5"	C = Lower Back	CI = "I" Line	20 = 2"	P16 0/30	MP = Max pointer (2 1/2", 4" only)
35 = 3.5"	R = Right Side	(Other connections on application)	25 = 2.5"	P17 0/60	EP = Electropolished wetted parts
40 = 4"	L = Left Side	CP = CPM type	30 = 3"	P18 0/100	CC3 = Cert. Of calibration (3 pt.)
60 = 6"*	T = Top	TH = Tuchenhagen	40 = 4"	P19 0/160	CC5 = Cert. Of calibration (5 pt.)
			75 = 3/4"	P20 0/200	
				P21 0/300	
				P22 0/400	
				P23 0/600	
				P24 0/800	
				P25 0/1000	
				VACUUM	Case Fills (for vibration)
				P01 -30"Hg/0	CFG = Glycerin
					CFN = Neobee
					CFS = Silicone
				COMPOUND	Alternate Seal Fill Fluids (std. is glycerin)
				P02 30"Hg/0/15psi	SFN = Neobee
				P03 30"Hg/0/30psi	SFS = Silicone
				P04 30"Hg/0/60psi	SFV = Vegetable oil
				P05 30"Hg/0/100psi	Alternate Wetted Materials
				P06 30"Hg/0/160psi	H = Hast. C
				P07 30"Hg/0/200psi	T = Teflon coated 316SS
				P08 30"Hg/0/300psi	

(Other ranges available on application)