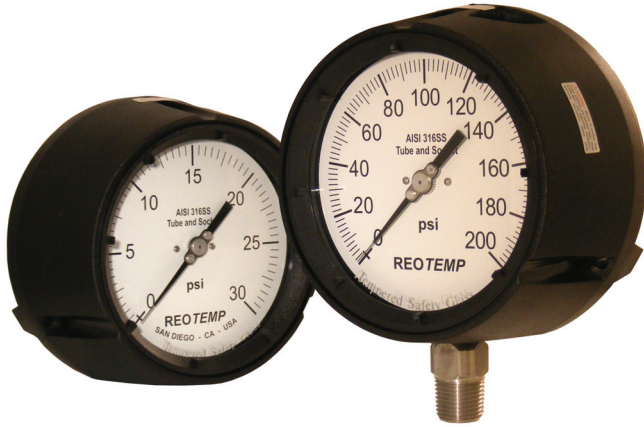


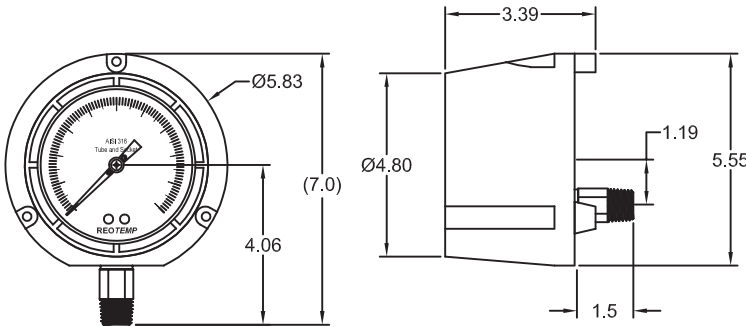
# 4.5" Industrial Process Gauge

REOTEMP's Series PT Process Gauge is designed to withstand corrosive atmospheres and media, pulsation and vibration; a very rugged gauge engineered for the process industries. The solid front/blowout back provides a high degree of user safety.



### Features/Benefits:

- Solid Front/Blowout Back
- All Stainless Steel Internal Parts
- Adjustable Pointer
- Glycerine Filled or Dry/Fillable
- Repairable





### Specifications:

- Case:** "Phenolic" (Fiberglass Reinforced Thermoplastic) or Stainless Steel Solid Front, Blowout Back
- Ring:** Fiberglass Reinforced Thermoplastic Screwed Ring, Removable
- Lens:** Tempered Safety Glass (others available)
- Dial:** Aluminum, Black Figures on White Background
- Pointer:** Adjustable, Aluminum, Black
- Wetted Parts:** 316SS Socket/316L Tube
- Temperature:** Ambient: 0 to 150°F (Glycerine Filled)  
Process: -30 to 400°F (Dry)
- Accuracy:** 0.5% Full Scale, Grade 2A

## HOW TO ORDER

PT — **45** **P** **1** **A** **2** **P23** **G**

<b>Dial:</b> 45 = 4.5"	<b>Case:</b> P = Fiberglass Reinforced Thermoplastic S* = Stainless St.  *See factory for drawing.	<b>Tube &amp; Socket:</b> 1 = 316SS 3 = Monel	<b>Mounting:</b> A =  Bottom C =  Lower Back	<b>Connection:</b> 2 = 1/2" NPT 4 = 1/4" NPT	<b>Range Code:</b> <i>See Page 12 of Press. Product Catalog for Range Codes</i>  Vac. to 20,000 PSI	<b>Filling:</b> -- = Dry G = Glycerine  Other fills on request.	<b>Options:</b> <ul style="list-style-type: none"> <li>■ Hi-Vis Dial</li> <li>■ Diaphragm Seal</li> <li>■ Custom Ranges</li> <li>■ Plastic Lens</li> </ul>
---------------------------	--	---	--	--	--	---	---

Distributed by:

Measuring your world since 1965