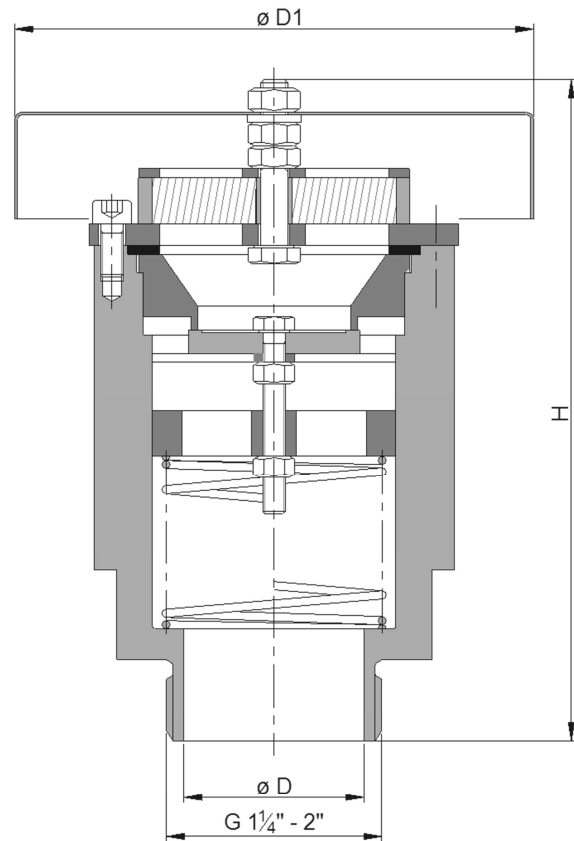
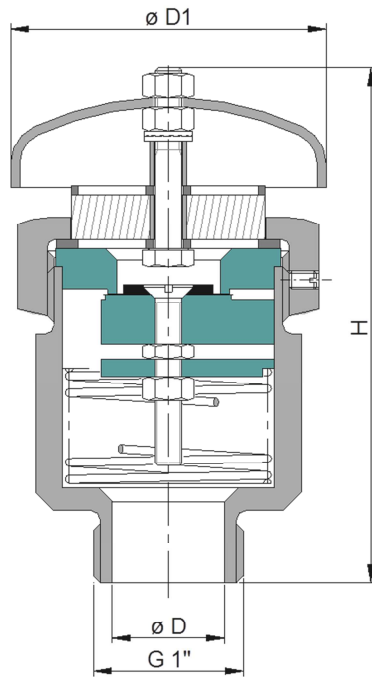
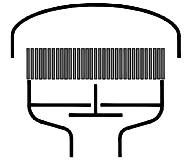


# Vacuum Relief Valve KITO® VS/cont. ...



Type examination certificate to DIN EN ISO 16852

CE -designation in accordance to ATEX-Guideline 94/9/EC

G	Ø D	D1	H	kg
G 1"	25	70	110	1
G 1 1/4"	32	115	145	3
G 1 1/2"	40			
G 2"				

Dimension in mm

standard set pressure 10 mbar - max. 210 mbar  
-different settings upon request against additional price-

performance curves : M 0.8 N / D 0.8 N

Design subject to change

Standard design

### size G 1" :

housing : stainless steel mat. no. 1.4571  
KITO® flame arrester element : completely interchangeable  
KITO® casing / grid : stainless steel mat. no. 1.4571  
valve seat and pallet : PTFE  
sealing : FEP  
compression spring : stainless steel mat. no. 1.4571  
cap : stainless steel mat. no. 1.4301

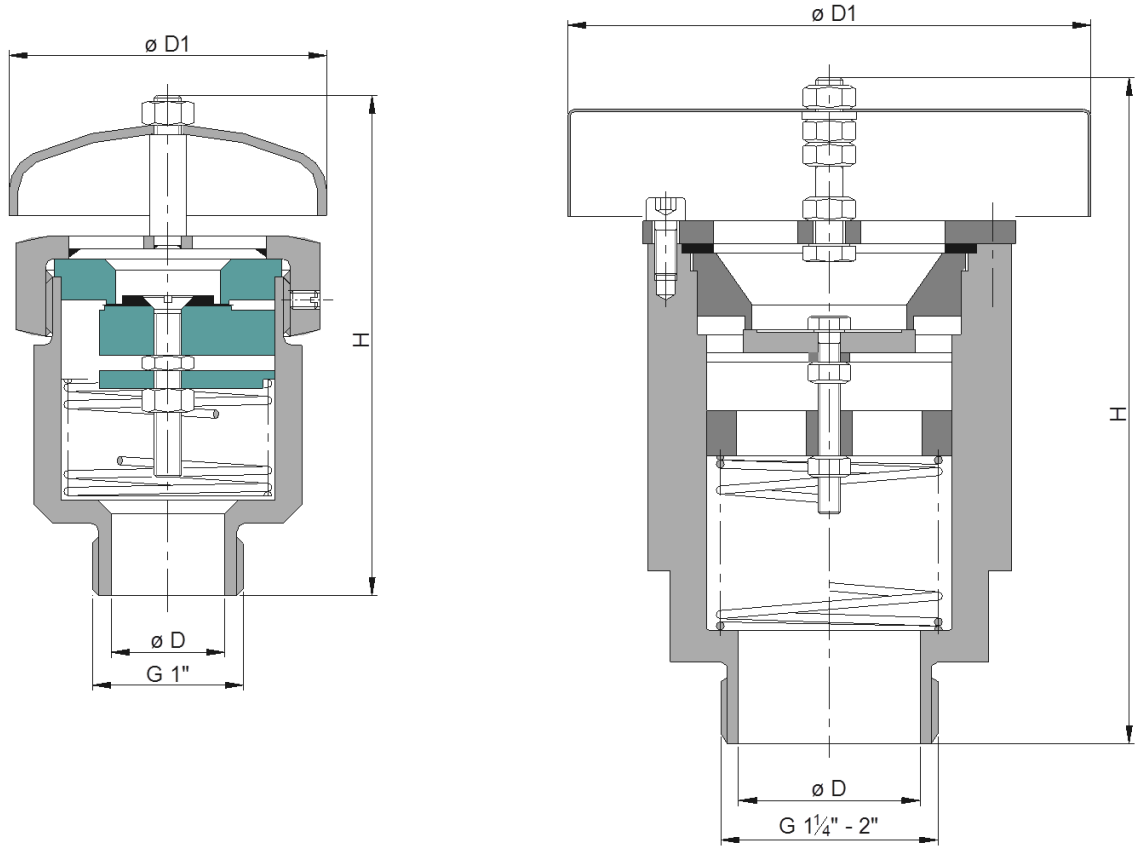
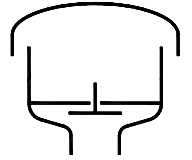
### size G 1 1/4" ; G 1 1/2" ; G 2" :

housing : stainless steel mat. no. 1.4571  
KITO® flame arrester element : completely interchangeable  
KITO® casing / grid : stainless steel mat. no. 1.4571  
valve seat and pallet : stainless steel mat. no. 1.4571  
sealing : PTFE  
compression spring : stainless steel mat. no. 1.4571  
cap : stainless steel mat. no. 1.4571

Application

Explosion proof end-off-line vacuum relief valve for storage tanks, vessels and pipes to prevent inadmissible vacuum.  
Approved for flammable liquids of explosion group IIB3 (MESG) ≥ 0.65 mm. An operating temperature of 60°C must not be exceeded.  
Suitable also for portable tanks for the transport of flammable liquids.

**Vacuum Relief Valve**  
**KITO® VS/o cont.**



**Without EC certificate and C E -designation**

G	Ø D	D1	H	kg
G 1"	25	70	110	1
G 1 ¼"	32	115	145	3
G 1 ½"	40			
G 2"				

Dimensions in mm

standard set pressure 10 mbar - max. 210 mbar  
 -different settings upon request against additional price-

Design subject to change

performance curves : M 0.9 N / D 0.9 N

Standard design

Application

**size G 1" :**

- housing : stainless steel mat. no. 1.4571
- valve seat and pallet : PTFE
- sealing : FEP
- compression spring : stainless steel mat. no. 1.4571
- cap : stainless steel mat. no. 1.4301

As end-of-line device, for venting of tank installations for ventilation and to prevent inadmissible vacuum.  
 Usually installed on top of a tank, if applicable in conjunction with a pressure relief valve on a common connecting pipe.  
 Valve is not explosion-proof, thus cannot be used for flammable media.

**size G 1 ¼" ; G 1 ½" ; G 2" :**

- housing : stainless steel mat. no. 1.4571
- valve seat and pallet : stainless steel mat. no. 1.4571
- sealing : PTFE
- compression spring : stainless steel mat. no. 1.4571
- cap : stainless steel mat. no. 1.4571