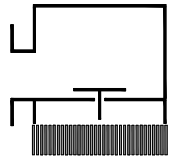
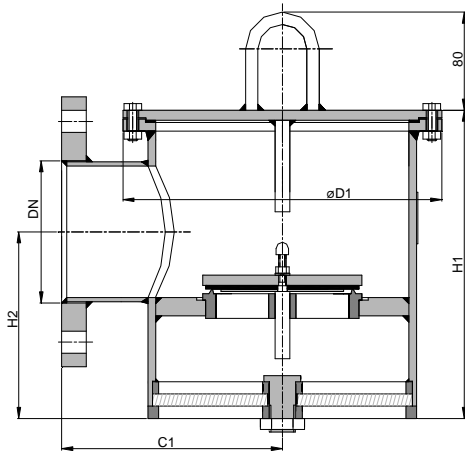


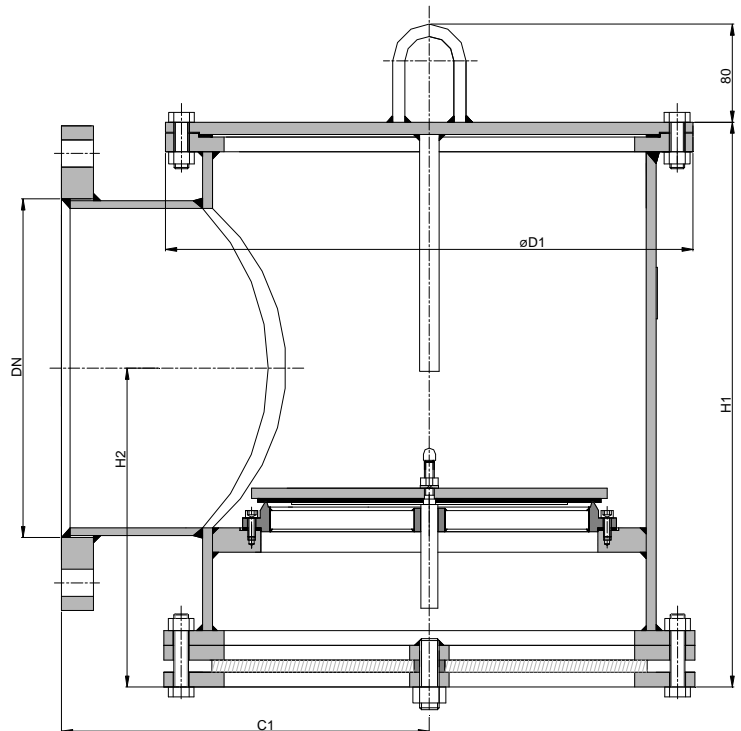
Vacuum Relief Valve KITO® VS/KS-...-IIB3



design DN 50-200



design DN 250-400



Type examination certificate to DIN EN ISO 16852

CE -designation in accordance to ATEX-Guideline 94/9/EC

DIN	DN	ANSI	C1	D1	H1	H2	kg*	setting (mbar)	
								min.	max.
50 PN 16	2"	2"	120	170	206	108	11	1.4	130
80 PN 16	3"	3"	144	200	232	131	16	1.6	143
100 PN 16	4"	4"	180	260	262	152	24	1.6	205
125 PN 16	5"	5"	195	285	296	173	30	1.4	185
150 PN 16	6"	6"	220	320	337	200	40	1.7	185
200 PN 10	8"	8"	255	380	404	232	58	2.0	180
250 PN 10	10"	10"	300	430	469	248	86	2.0	205
300 PN 10	12"	12"	345	520	582	330	143	2.1	237
350 PN 10	14"	14"	390	612	628	348	190	2.0	260
400 PN 10	16"	16"	450	685	729	420	245	2.2	288

Dimensions in mm

* Indicated weights are understood without weight load and refer to the standard design.

standard valve setting 7-30 mbar -different settings against additional price-

Design subject to change

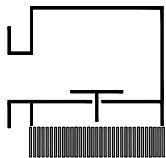
performance curves: D 0.11 N

Standard design

- housing / cover : steel, stainless steel mat. no. 1.4571
- valve seat / spindle : stainless steel mat. no. 1.4571
- valve face seal : NBR, Viton, PTFE
- KITO® flame arrester element : interchangeable
- KITO® casing : stainless steel mat. no. 1.4571
- KITO® grid : stainless steel mat. no. 1.4310, 1.4571
- flange connection : DIN EN 1092-1 form A
ANSI 150 lbs. RF

Application

Explosion proof safety valve to protect inbreathing openings of storage tanks, vessels and pipes to prevent inordinate vacuum. Approved for flammable liquids of explosion group IIB3 with a maximum experimental safe gap (MESG) ≥ 0.65 mm.



Vacuum Relief Valve KITO® VS/KS-...-IIB3

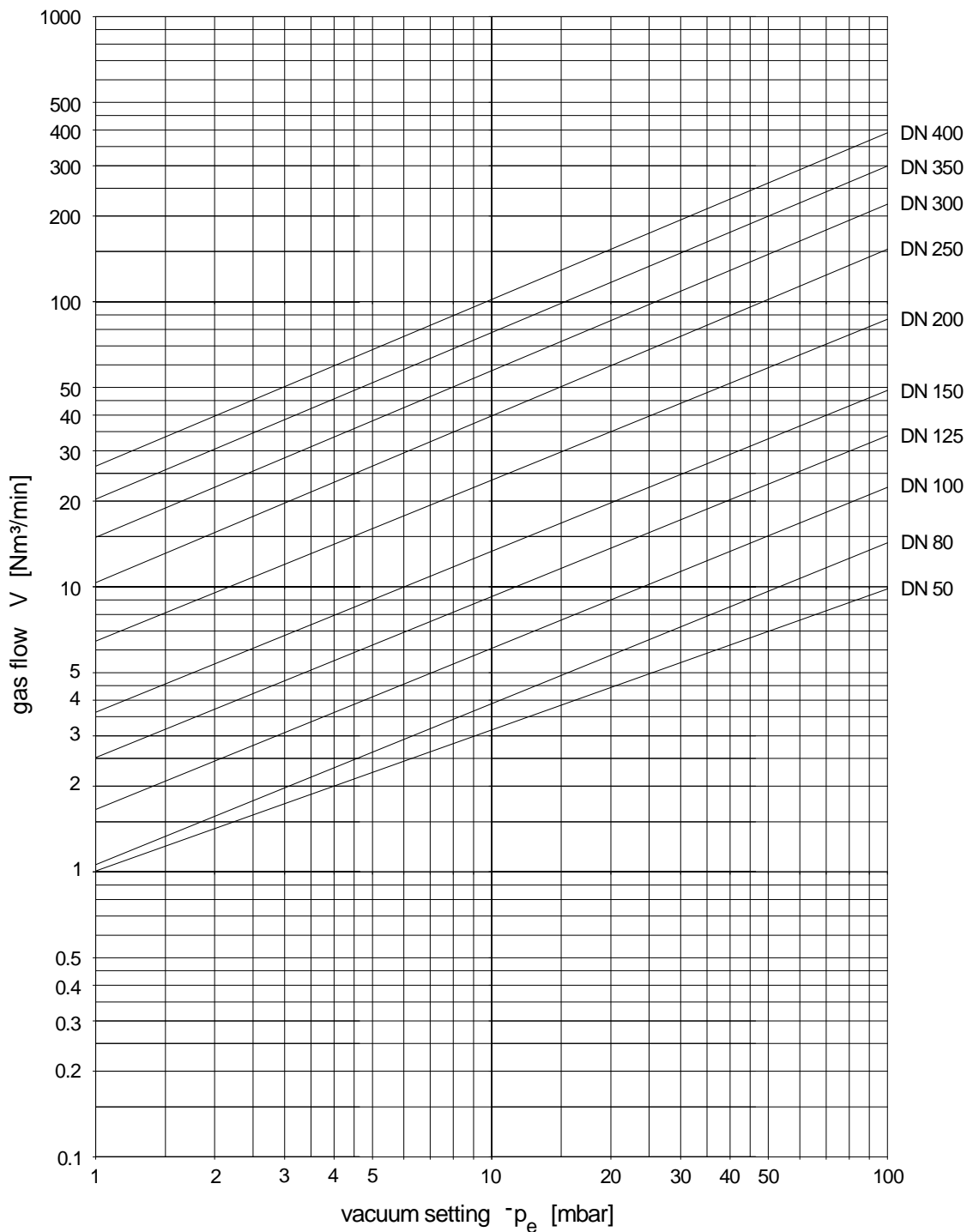
D 11 N

The flow capacity V refers to a density of air with $\rho = 1.29 \text{ kg/m}^3$.

The flow capacity for gases with different densities can be calculated sufficiently accurate by the following approximation equation:

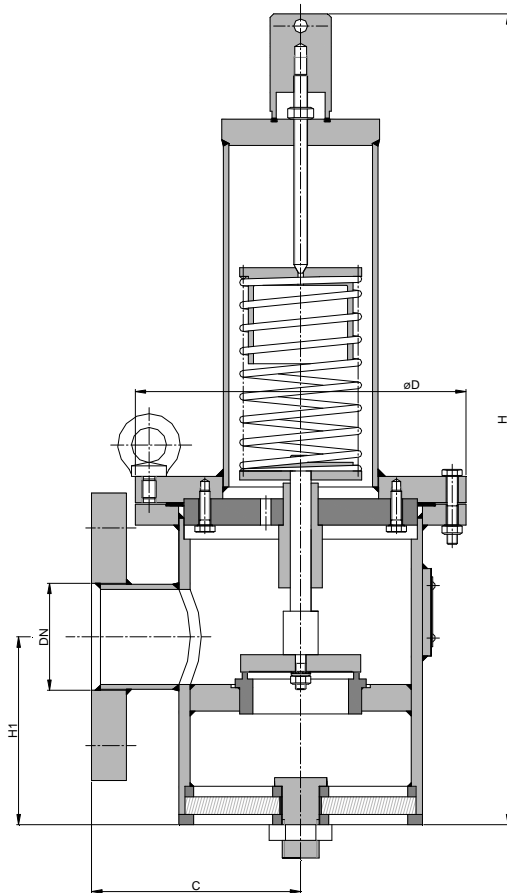
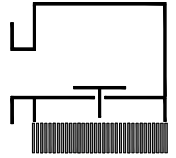
$$\dot{V}_{40\%} = \dot{V}_b \cdot \sqrt{\frac{\rho_b}{1.29}} \quad \text{or} \quad \dot{V}_b = \dot{V}_{40\%} \cdot \sqrt{\frac{1.29}{\rho_b}}$$

Indicated flow rates will be reached by an accumulation of 40% above valve's setting.



Design subject to change

Vacuum Relief Valve KITO® VS/KS-1-...-IIB3



Type examination certificate to DIN EN ISO 16852 CE -designation in accordance to ATEX-Guideline 94/9/EC

DIN	DN	ANSI	C	D	H	H1	kg	setting* (mbar)	
								min.	max.
50 PN 16	2"		120	190	485	108	20	200	350
80 PN 16	3"		145	214	660	131	30		
100 PN 16	4"		180	260	690	152			
125 PN 16	5"		195			173		150	
150 PN 16	6"		220			200			
200 PN 10	8"		255	394	880	232			

Dimensions in mm

* minor settings see type sheet D 11 N, higher settings on request.

Design subject to change

performance curves: D 0.11.1 N

Standard design

housing / cover	: steel, stainless steel mat. no. 1.4571
valve pallet	: spring loaded
valve seat and spindle	: stainless steel 1.4571
valve seals	: metal sealing
spring loaded parts	: stainless steel 1.4571
compression spring	: stainless steel 1.4301
KITO® flame arrester element	: interchangeable
KITO® casing	: stainless steel mat. no. 1.4571
KITO® grid	: stainless steel mat. no. 1.4310, 1.4571
flange connection	: DIN EN 1092-1 form A ANSI 150 lbs. RF

Application

Explosion proof safety valve to protect inbreathing openings of storage tanks, vessels and pipes to prevent inordinate vacuum. Approved for flammable liquids of explosion group IIB3 with a maximum experimental safe gap (MESG) ≥ 0.65 mm.