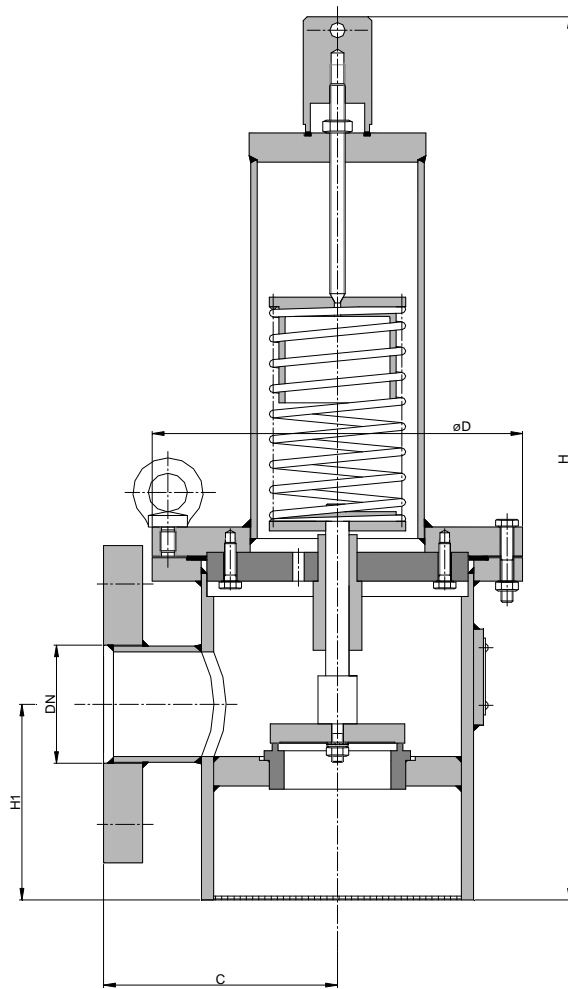
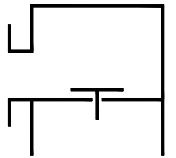


# Vacuum Relief Valve KITO® VS/O-1



**Without EC certificate and €-designation**

DIN	DN	ANSI	C	D	H	H1	kg	setting* mbar	
								min.	max.
50 PN 16	2"		120	190	485	108		200	350
80 PN 16	3"		145	214	670	131			
100 PN 16	4"		180	300	722	142			
125 PN 16	5"		195			173		150	
150 PN 16	6"		220			200			
200 PN 10	8"		255	394	880	223			

Maßangaben in mm

\* minor settings see type sheet D 12 N, higher settings on request.

Design subject to change

performance curves: D 0.12.1 N

### Standard design

housing / cover : steel, stainless steel mat. no. 1.4571  
 valve pallet : spring loaded  
 valve seat and spindle : stainless steel 1.4571  
 valve seals : metal sealing  
 spring loaded parts : stainless steel 1.4571  
 compression spring : stainless steel 1.4301  
 flange connection : DIN EN 1092-1 form A  
 ANSI 150 lbs. RF

### Application

As end-of-line armatures, for venting apertures on tank installations for ventilation and to prevent inadmissible vacuum. Usually mounted on top of a tank, if applicable in conjunction with a pressure relief valve on a common connecting pipe. The valve is not explosion-proof, thus cannot be used for flammable media.