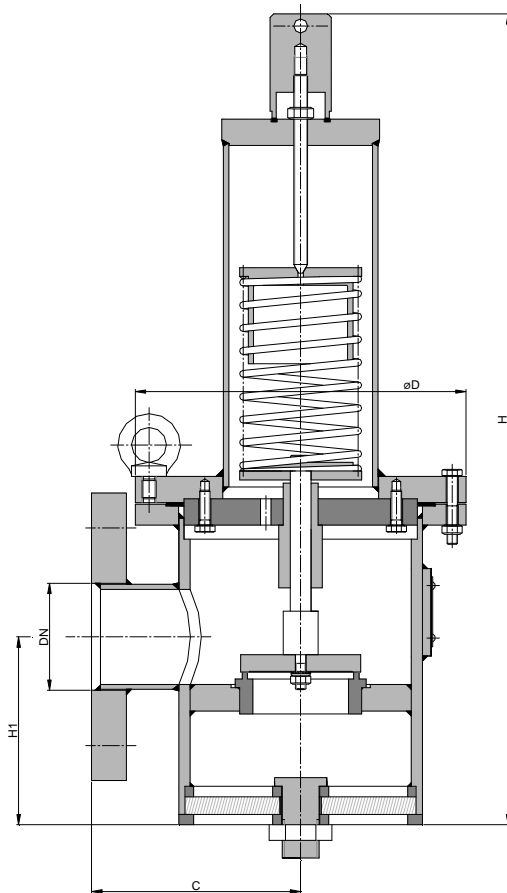
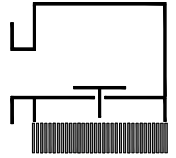


Vacuum Relief Valve KITO® VS/KS-1-...-IIB3



Type examination certificate to DIN EN ISO 16852 CE -designation in accordance to ATEX-Guideline 94/9/EC

DIN	DN	ANSI	C	D	H	H1	kg	setting* (mbar)	
								min.	max.
50 PN 16	2"		120	190	485	108	20	200	350
80 PN 16	3"		145	214	660	131	30		
100 PN 16	4"		180	260	690	152			
125 PN 16	5"		195			173		150	
150 PN 16	6"		220			200			
200 PN 10	8"		255	394	880	232			

Dimensions in mm

* minor settings see type sheet D 11 N, higher settings on request.

Design subject to change

performance curves: D 0.11.1 N

Standard design

housing / cover	: steel, stainless steel mat. no. 1.4571
valve pallet	: spring loaded
valve seat and spindle	: stainless steel 1.4571
valve seals	: metal sealing
spring loaded parts	: stainless steel 1.4571
compression spring	: stainless steel 1.4301
KITO® flame arrester element	: interchangeable
KITO® casing	: stainless steel mat. no. 1.4571
KITO® grid	: stainless steel mat. no. 1.4310, 1.4571
flange connection	: DIN EN 1092-1 form A ANSI 150 lbs. RF

Application

Explosion proof safety valve to protect inbreathing openings of storage tanks, vessels and pipes to prevent inordinate vacuum. Approved for flammable liquids of explosion group IIB3 with a maximum experimental safe gap (MESG) ≥ 0.65 mm.