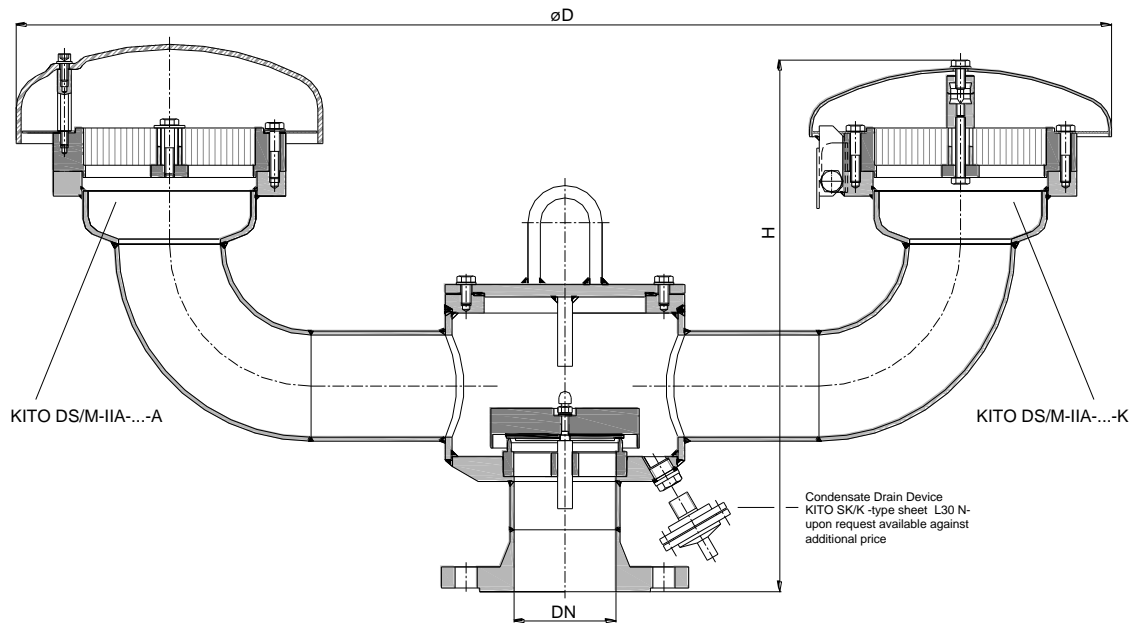
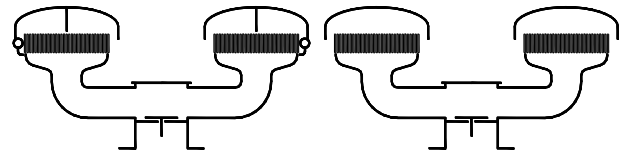


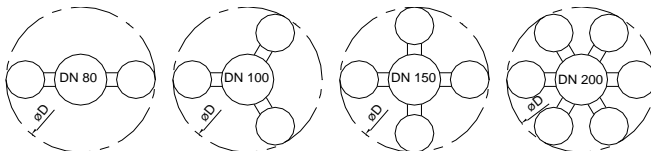
Pressure Relief Valve

KITO® DS/M-IIA-...-K

KITO® DS/M-IIA-...-A



Arrangement of the KITO® flame arrester elements



Type examination certificate to DIN EN ISO 16852

CE -designation in accordance to ATEX-Guideline 94/9/EC

DN		D	H	number of KITO® flame arrester elements	kg*	setting (mbar)		
DIN	ANSI					min.	max.	
80	PN 16	3"	940	429	2	38	2.0	115
100	PN 16	4"	1054	456	3	53	2.0	110
150	PN 16	6"	1234	492	4		2.6	93
200	PN 10	8"	1634	515	6	140	2.3	115

Dimensions in mm

* Indicated weights are understood without weight load and refer to the standard design.

standard valve setting 10-30 mbar -different settings against additional price-

Example to order :

KITO® DS/M-IIA-80-K

(design with weather hood from stainless steel mat. no. 1.4571 and flange connection DN 80)

Design subject to change

performance curves: C 0.9.8 N

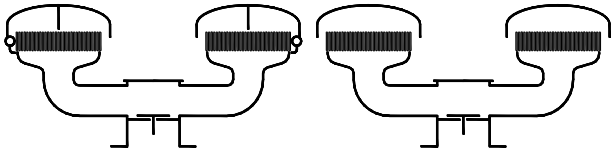
Standard design

housing / cover	: steel, stainless steel mat. no. 1.4571
gasket	: HD 3822, PTFE
valve seat / spindle	: stainless steel mat. no. 1.4571
design valve pallet	: orifice plate
valve sealing	: NBR, Viton, PTFE
KITO® flame arrester element	: completely interchangeable
KITO® casing / grid	: stainless steel mat. no. 1.4308 / 1.4310, 1.4408 / 1.4571
weather hood	:
KITO® DS/M-IIA-...-K	: stainless steel mat. no. 1.4571, hood can fold automatically as a result of folding mechanism and fusing element
KITO® DS/M-IIA-...-A	: PMMA
protective screen	: PA6
flange connection	: DIN EN 1092-1 form B1, ANSI 150 lbs. RF

Application

As breather/venting safety device incorporating an explosion and endurance burning proof flame arrester element for installation on storage tanks containing particular categories of inflammable liquids providing for reliable and safe operation whilst ensuring protection against any possible flashback. The PRV allows the passage of hazardous excess pressure but will minimize the loss of gas/vapours depending on valve adjustment. Usually mounted on the top of the tank in conjunction with a vacuum relief valve. Approved for all materials of the explosion group IIA with a maximum experimental safe gap (MESG) > 0.9.

An explosion proof condensate drain is also available for this model at extra cost.



Pressure Relief Valve
KITO® DS/M-IIA-...-K
KITO® DS/M-IIA-...-A
C 9.8 N

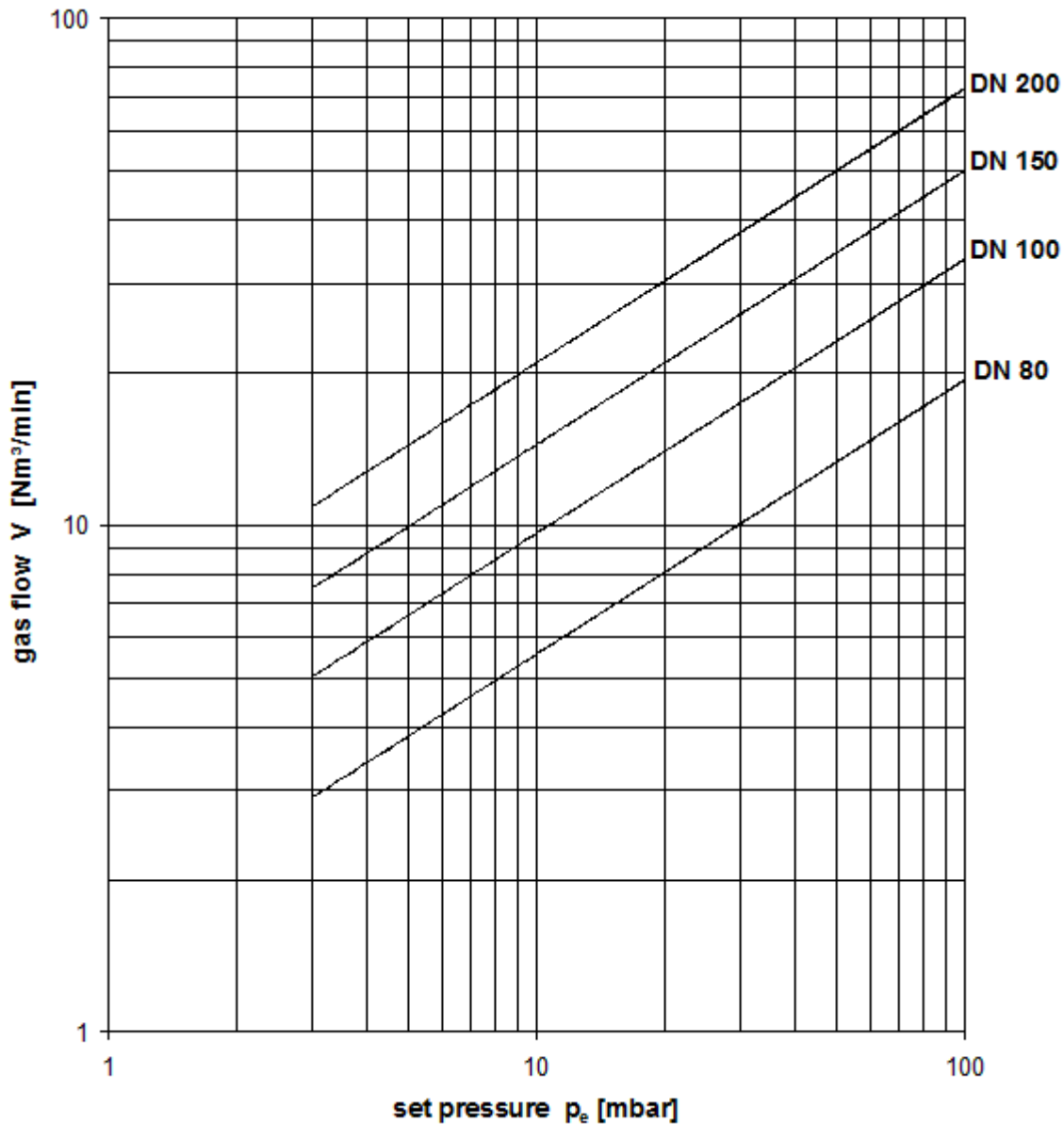
The flow capacity V refers to a density of air with $\rho = 1.29 \text{ kg/m}^3$.

The flow capacity for gases with different densities can be calculated sufficiently accurate by the following approximation equation:

$$\dot{V} = \dot{V}_b \cdot \sqrt{\frac{\rho_b}{1.29}} \text{ resp. } \dot{V}_b = \dot{V} \cdot \sqrt{\frac{1.29}{\rho_b}}$$

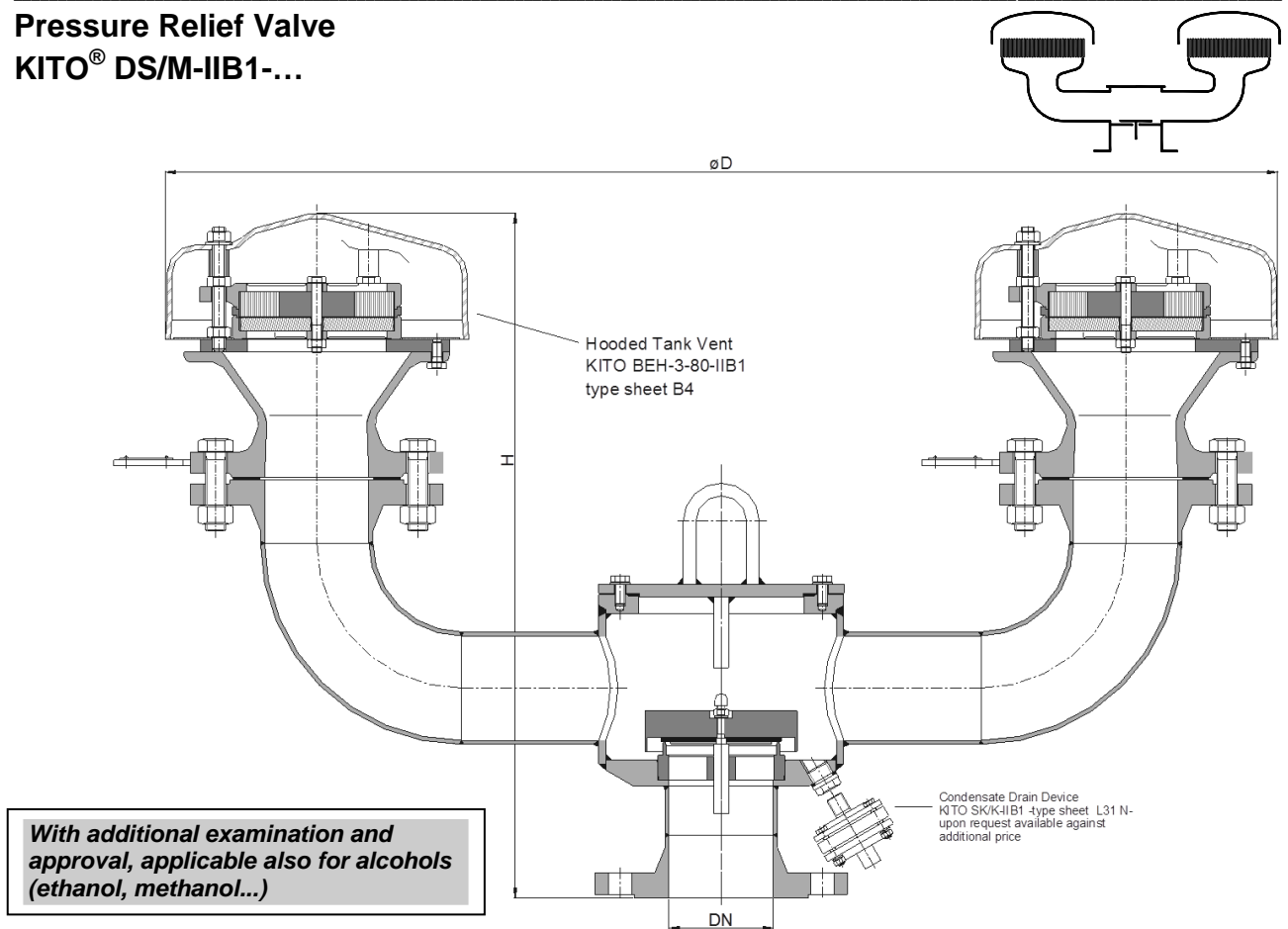
Indicated flow rates will be reached by an accumulation of 40% above valve's setting (see DIN 4119).

If different accumulations are required see sheet A 31 Bl.1 for correcting factor.

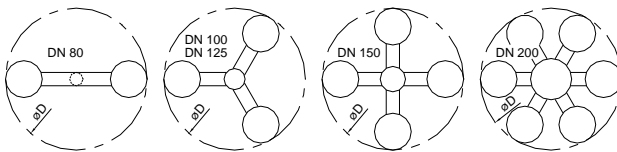


Design subject to change

Pressure Relief Valve KITO® DS/M-IIB1-...



Arrangement of the flame arrester elements



Type examination certificate to DIN EN ISO 16852 and CE -designation in accordance to ATEX-Guideline 94/9/EC for KITO® BEH-3-80-IIB1 and KITO® SK/K-IIB1.

DN		D	H	number of KITO® BEH-3-80-IIB1	kg*	setting (mbar)	
DIN	ANSI					min.	max.
80	PN 16	3"	855	545	2	2.0	115
100	PN 16	4"	950	570	3	2.0	110
150	PN 16	6"	1110	605	4	2.6	93
200	PN 10	8"	1470	630	6	2.3	115

Dimensions in mm

* Indicated weights are understood without weight load and refer to the standard design.

Standard valve setting 10-30 mbar -different settings against additional price-

Design subject to change

performance curves: C 0.9.9 N

Standard design

housing / cover : steel, stainless steel mat. no. 1.4571
 gasket : HD 3822, PTFE
 valve seat / spindle : stainless steel mat. no. 1.4571
 design valve pallet : orifice plate
 valve sealing : NBR, Viton, PTFE
 flange connection : DIN EN 1092-1 form B1,
 ANSI 150 lbs. RF

Design KITO® BEH-3-80-IIB1

housing : 1.0619, mat. no. 1.4408
 KITO® flame arrester element : completely interchangeable
 KITO® casing : mat. no. 1.4408
 KITO® grid : mat. no. 1.4310 / 1.4571
 weather hood : PMMA
 protective screen : PA6
 flange connection : DIN EN 1092-1 form B1,
 ANSI 150 lbs. RF

Application

As an end-of-line flame arrester element to protect vent openings of storage tanks. Explosion and endurance burning proof for all inflammable liquids and vapors of explosion group IIB1 and also for alcohols with a maximum experimental safe gap (MESG) ≥ 0.85 mm.

This device is not permitted to be installed in enclosed areas. Installation on top of storage tanks, tank access covers or breather pipes.

The PRV allows the passage of hazardous excess pressure but will minimize the loss of gas/vapours depending on valve adjustment. Usually mounted on the top of the tank in conjunction with a vacuum relief valve.

An explosion proof condensate drain is also available for this model at extra cost.