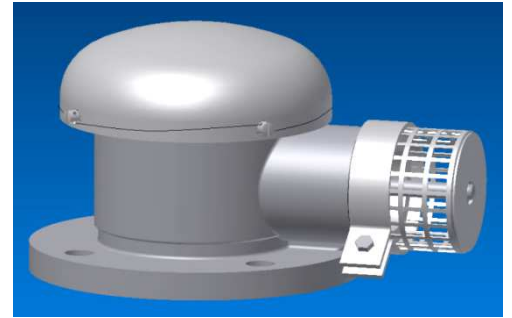
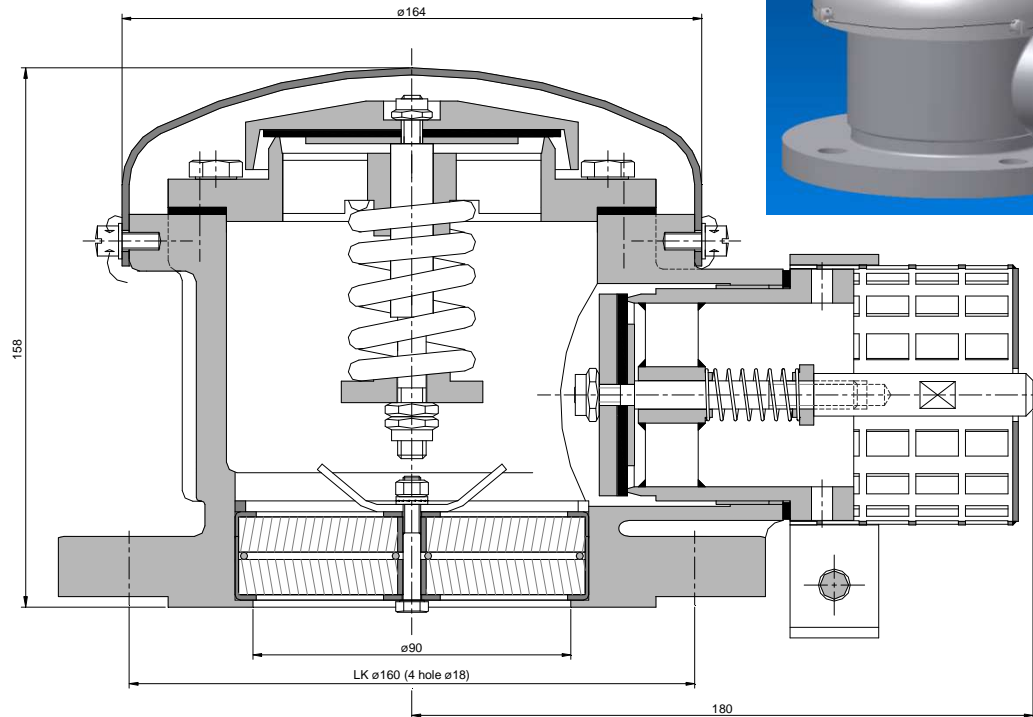
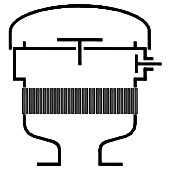


# Combined Pressure / Vacuum Relief Valve KITO® K/DVE-IIB3-80



### Flow rate in case of pressure:

setting $p_e$	discharge capacity	gas flow with and without KITO®-flame arrester element	
1,5 bar	1,65 bar	80 m <sup>3</sup> /h	194 m <sub>n</sub> <sup>3</sup> /h
	1,9 bar	428 m <sup>3</sup> /h	1132 m <sub>n</sub> <sup>3</sup> /h
1,75 bar	1,925 bar	86 m <sup>3</sup> /h	230 m <sub>n</sub> <sup>3</sup> /h
3 bar	3,3 bar	135 m <sup>3</sup> /h	530 m <sub>n</sub> <sup>3</sup> /h
	3,6 bar	428 m <sup>3</sup> /h	1788 m <sub>n</sub> <sup>3</sup> /h
	4 bar	428 m <sup>3</sup> /h	1943 m <sub>n</sub> <sup>3</sup> /h

closing pressure > 95% of  $p_e$  weight 11 kg  
component identification TÜ. AGG. 219-94

Dimensions in mm

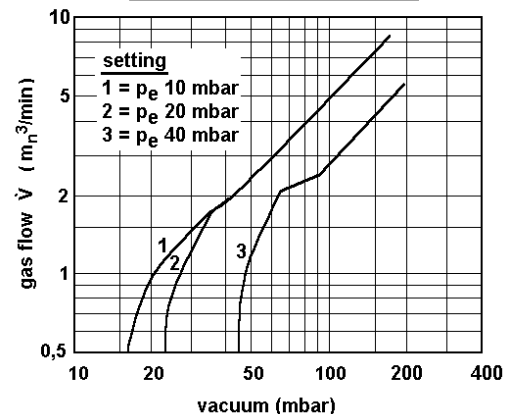
standard set pressure : pressure 1,5 to 3 bar , vacuum -10 to -40 mbar  
-different settings upon request against additional price-

Design subject to change

### Standard design

housing	: cast steel mat. no.1.1138, stainless steel mat. no. 1.4408
valve seats/valve spindle	: stainless steel mat. no. 1.4571
valve pallet	: stainless steel mat. no. 1.4571
valve sealing	: Viton (at 3 bar pressure with an additional foil from Gylon)
KITO® flame arrester element	: interchangeable
KITO® casing	: stainless steel mat. no. 1.4301, 1.4571
KITO® grid	: stainless steel mat. no. 1.4310, 1.4571
gasket	: HD 3822, PTFE, Gylon
compression spring	: stainless steel mat. no. 1.4310
weather hood	: steel 1.0333, stainless steel mat. no 1.4301
flange connection	: suitable for flange DN 80 to DIN EN 1092-1 PN 16 form B1

### performance curve for vacuum



### Application

Explosion proof combined pressure/vacuum relief valve to prevent excessive pressure and vacuum.  
Approved for flammable liquids and gases of explosion group IIB3 with a maximum experimental safe gap (MESG) > 0.65 mm. An operating temperature of 60°C must not be exceeded.  
Low height of construction, for portable tanks, preferably for rail tank cars and tank containers.  
Upon request without KITO® flame arrester element available.  
Valve is sealed.