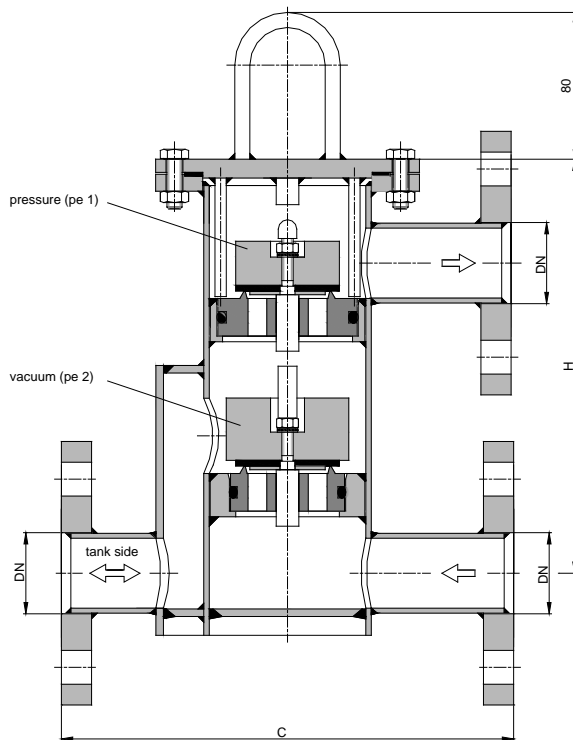
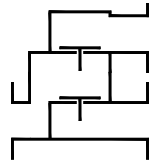


# Tank Venting Valve KITO® VD/T3



Without EC certificate and  $\text{C}\epsilon$ -designation

DN	ANSI	C	H	kg*	setting (mbar)			
					pe1		pe2	
					min.	max.	min.	max.
25 PN 40	1"	240	150	12	2.5	72	2.9	93
32 PN 40	1 1/4"	240	165	14	2.5	70	2.9	91
40 PN 16	1 1/2"	350	195	26	1.8	210	2.1	158
50 PN 16	2"	350	204	27	1.8	205	2.1	154
65 PN 16	2 1/2"	350	224	31	1.5	141	1.7	105
80 PN 16	3"	350	253	36	1.7	155	1.7	120
100 PN 16	4"	450	279	40	1.6	240	1.4	140
125 PN 16	5"	500	332	48	1.4	215	1.7	140
150 PN 16	6"	550	387	59	1.7	235	1.9	155

Dimensions in mm

\* Indicated weights are understood without weight load and refer to the standard design.

Standard valve setting 7-30 mbar -different settings against additional price-

**Construction length C can be adapted to customers wish to local situation and orientation of pressure flange.**

Design subject to change

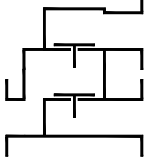
performance curves: F 0.37 N

### Standard design

housing : steel, stainless steel mat. no. 1.4571  
 valve seat and spindle : stainless steel mat. no. 1.4571  
 valve sealing : NBR, Viton, PTFE  
 gasket : HD 3822, PTFE  
 flange connection : DIN EN 1092-1 form A,  
 ANSI 150 lbs. RF

### Application

as inline armature with venting and breathing function for application on fixed roof tanks and vessels. Equipped with a lateral connection for the tank connecting pipe, a lower flange connection for a venting conduit and an upper flange connection for a breather conduit. The lower valve can be used to automatically control a supply of inert gas (e. g. nitrogen). For flammable liquids, a detonation flame arrester, e. g. KITO EFA-Det-... should be provided between the tank and the KITO VD/T3.



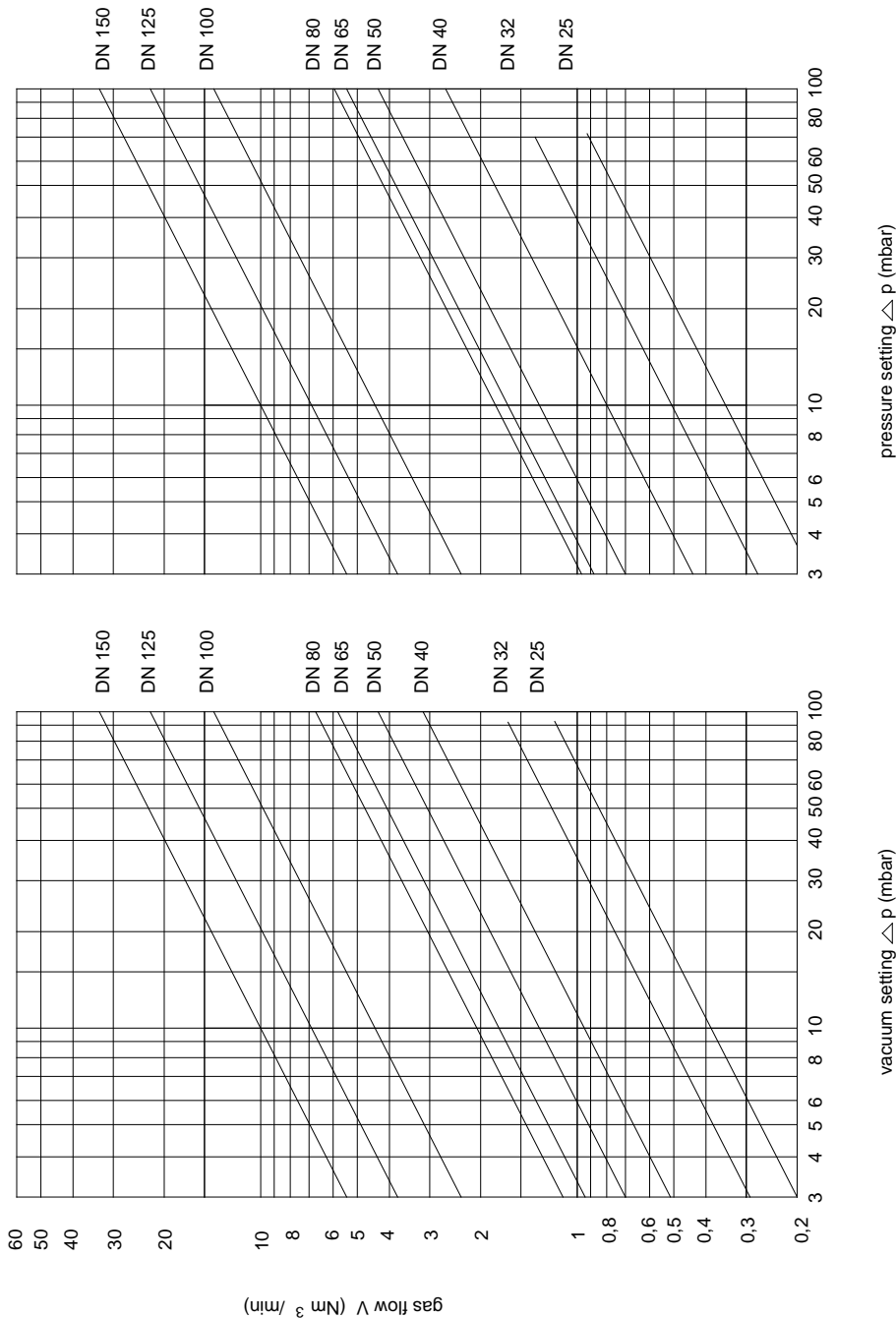
**Tank Venting Valve**  
**KITO® VD/T3**  
**F 37 N**

Flow capacity  $V$  based on air of a density  $\rho = 1.29 \text{ kg/m}^3$  at  $T = 273 \text{ K}$  and atmospheric pressure  $p = 1.013 \text{ mbar}$ . For other gases the flow can be approximately calculated by

$$\dot{V} = \dot{V}_b \cdot \sqrt{\frac{\rho_b}{1.29}} \quad \text{or} \quad \dot{V}_b = \dot{V} \cdot \sqrt{\frac{1.29}{\rho_b}}$$

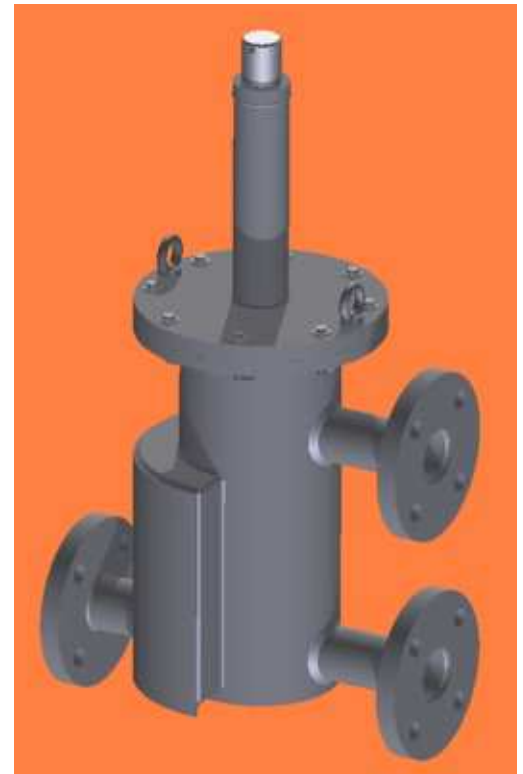
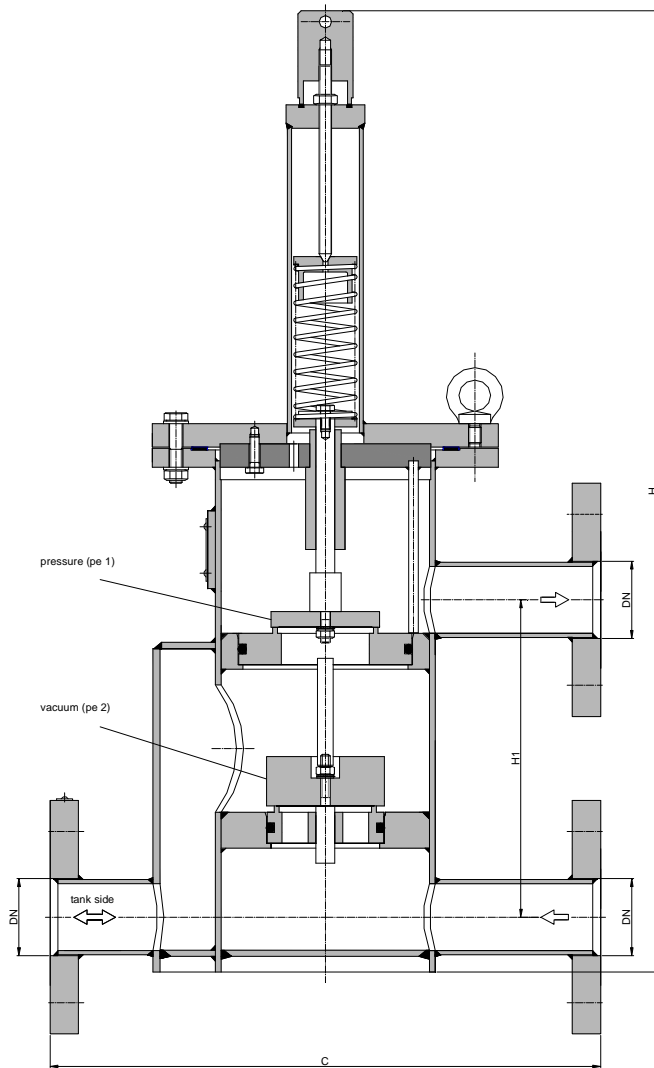
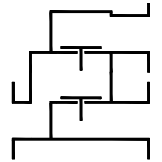
Air flow capacity at 40% above valve setting (see DIN 4119). If different accumulations are required see page A 32 for correcting factor.

Curves indicated by —.—.—.— require special weight loads.



Design subject to change

# Tank Venting Valve KITO® VD/T3-1



**Without EC certificate and  
C E -designation**

**Construction length C can be adapted to  
customers wish to local situation.**

DN	ANSI	C	H	H1	kg	setting* (mbar)			
						pe1		pe2	
						min.	max.	min.	max.
25 PN 40	1"	240	492	150	200	350	5	93	
32 PN 40	1 1/4"	240	507	165			5	91	
40 PN 16	1 1/2"	350	598	204			6	158	
50 PN 16	2"	350	598	204			6	154	
65 PN 16	2 1/2"	350	805	224			7	105	
80 PN 16	3"	350	860	253			7	120	
100 PN 16	4"	450	926	279			7	140	
125 PN 16	5"	500		332	150		7	140	
150 PN 16	6"	550		387			8	155	

Dimensions in mm

\* minor settings see type sheet F 37 N, higher settings on request.

Design subject to change

performance curves: F 0.37.1 N

### Standard design

housing / cover	: steel, stainless steel 1.4571
valve pallet (pressure)	: spring loaded
valve pallet (vacuum)	: weight loaded
valve seat and spindle	: stainless steel 1.4571
valve sealing	: metal sealing
parts spring loading	: stainless steel mat. no. 1.4571
compression spring	: stainless steel mat. no. 1.4310
gasket	: HD 3822, PTFE
flange connection	: DIN EN 1092-1 form A, ANSI 150 lbs. RF

### Application

as inline armature with venting and breathing function for application on fixed roof tanks and vessels. Equipped with a lateral connection for the tank connecting pipe, a lower flange connection for a venting conduit and an upper flange connection for a breather conduit. The lower valve can be used to automatically control a supply of inert gas (e. g. nitrogen). For flammable liquids, a detonation flame arrester, e. g. KITO EFA-Det-... should be provided between the tank and the KITO VD/T3.