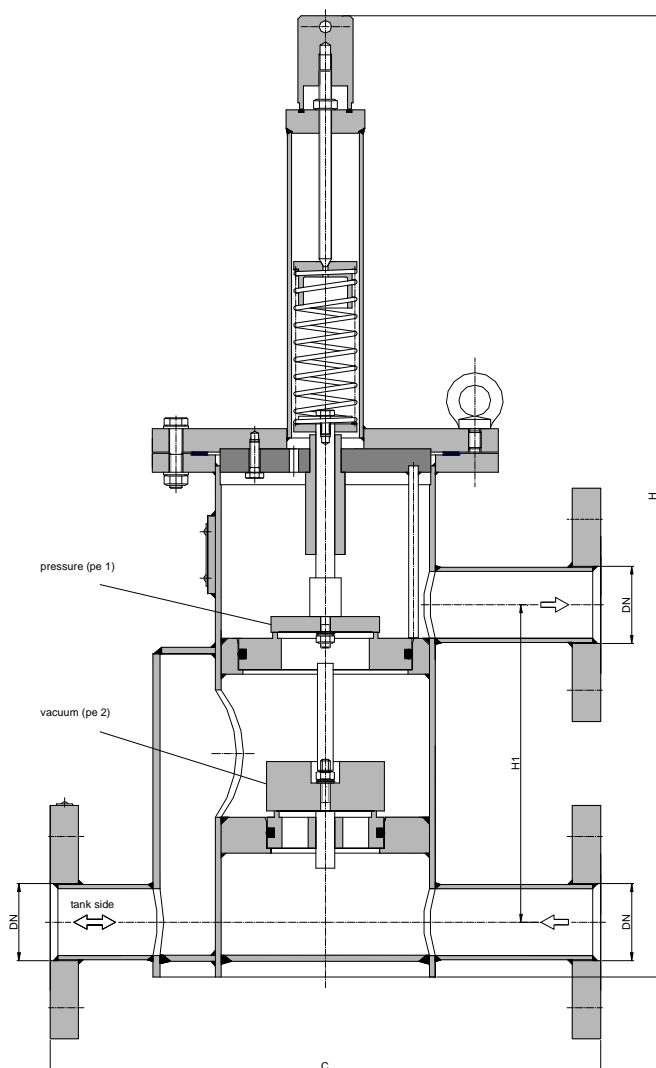
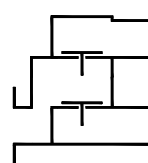


Tank Venting Valve KITO® VD/T3-1



**Without EC certificate and
C E -designation**

**Construction length C can be adapted to
customers wish to local situation.**

DN	ANSI	C	H	H1	kg	setting* (mbar)			
						pe1		pe2	
						min.	max.	min.	max.
25 PN 40	1"	240	492	150	200	350	5	93	
32 PN 40	1 1/4"	240	507	165			5	91	
40 PN 16	1 1/2"	350	598	204			6	158	
50 PN 16	2"	350	598	204			6	154	
65 PN 16	2 1/2"	350	805	224			7	105	
80 PN 16	3"	350	860	253			7	120	
100 PN 16	4"	450	926	279			7	140	
125 PN 16	5"	500		332	150		7	140	
150 PN 16	6"	550		387			8	155	

Dimensions in mm

* minor settings see type sheet F 37 N, higher settings on request.

Design subject to change

performance curves: F 0.37.1 N

Standard design

housing / cover	: steel, stainless steel 1.4571
valve pallet (pressure)	: spring loaded
valve pallet (vacuum)	: weight loaded
valve seat and spindle	: stainless steel 1.4571
valve sealing	: metal sealing
parts spring loading	: stainless steel mat. no. 1.4571
compression spring	: stainless steel mat. no. 1.4310
gasket	: HD 3822, PTFE
flange connection	: DIN EN 1092-1 form A, ANSI 150 lbs. RF

Application

as inline armature with venting and breathing function for application on fixed roof tanks and vessels. Equipped with a lateral connection for the tank connecting pipe, a lower flange connection for a venting conduit and an upper flange connection for a breather conduit. The lower valve can be used to automatically control a supply of inert gas (e. g. nitrogen). For flammable liquids, a detonation flame arrester, e. g. KITO EFA-Det-... should be provided between the tank and the KITO VD/T3.