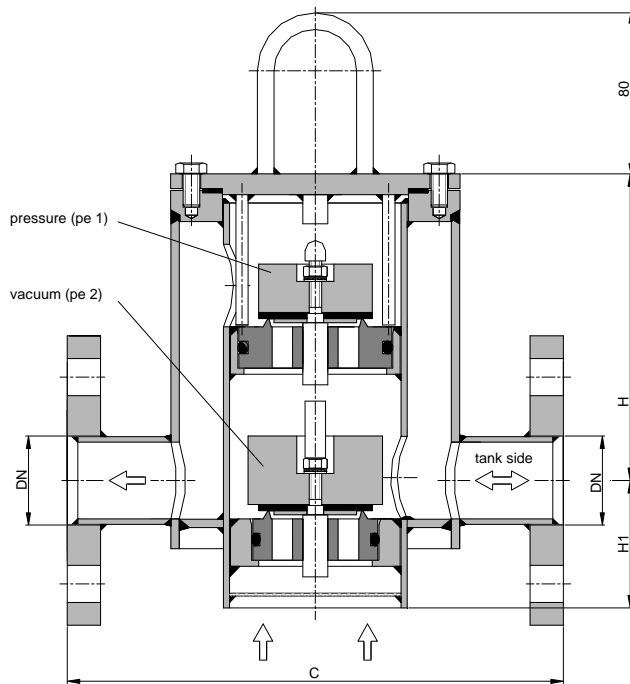
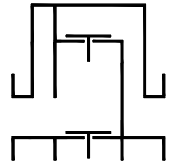


Tank Venting Valve KITO® VD/T



Without EC certificate and $\text{C}\epsilon$ -designation

DN	ANSI	C	H	H1	kg*	setting (mbar)			
						pe1		pe2	
						min.	max.	min.	max.
25 PN 40	1"	240	155	60	11	2.5	72	3.0	93
32 PN 40	1 1/4"	240	150	65	14	2.5	70	3.0	91
40 PN 40	1 1/2"	350	206	92	28	1.8	210	2.1	158
50 PN 16	2"	350	217	77	30	1.8	205	2.1	154
65 PN 16	2 1/2"	350	209	85	31	1.5	141	1.7	105
80 PN 16	3"	350	250	100	36	1.7	155	1.7	120
100 PN 16	4"	450	272	125		1.6	240	1.4	140
125 PN 16	5"	500	286	200		1.4	215	1.7	140
150 PN 16	6"	550	330	225		1.7	235	1.9	155

Dimensions in mm

* Indicated weights are understood without weight load and refer to the standard design.

Standard valve setting 7-30 mbar -different settings against additional price-

Construction length C can be adapted to customers wish to local situation.

Design subject to change

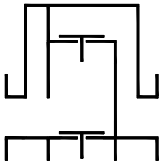
performance curves: F 0.33 N

Standard design

housing : steel, stainless steel mat. no. 1.4571
 valve seat and spindle : stainless steel mat. no. 1.4571
 valve sealing : NBR, Viton, PTFE
 gasket : HD 3822, PTFE
 flange connection : DIN EN 1092-1 form A,
 ANSI 150 lbs. RF

Application

as inline armature, with venting and breather valve function for vessels, preferably used for installation in pipes. The exhaust air is carried away via a pipe while the ventilation comes from the atmosphere.



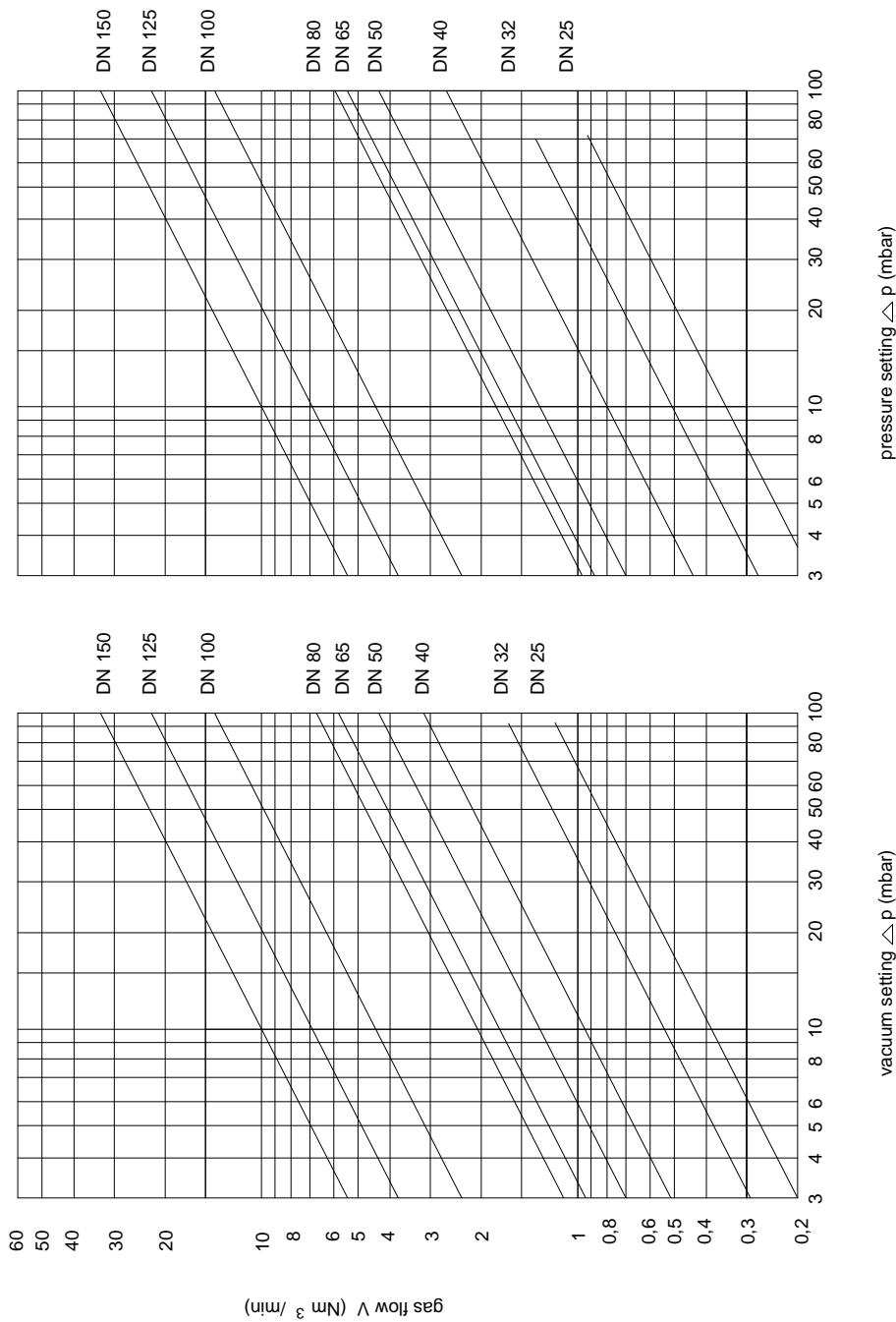
Tank Venting Valve KITO® VD/T F 33 N

Flow capacity V based on air of a density $\rho = 1.29 \text{ kg/m}^3$ at $T = 273 \text{ K}$ and atmospheric pressure $p = 1.013 \text{ mbar}$. For other gases the flow can be approximately calculated by

$$\dot{V} = \dot{V}_b \cdot \sqrt{\frac{\rho_b}{1.29}} \quad \text{or} \quad \dot{V}_b = \dot{V} \cdot \sqrt{\frac{1.29}{\rho_b}}$$

Air flow capacity at 40% above valve setting (see DIN 4119). If different accumulations are required see page A 32 for correcting factor.

Curves indicated by require special weight loads.



Design subject to change