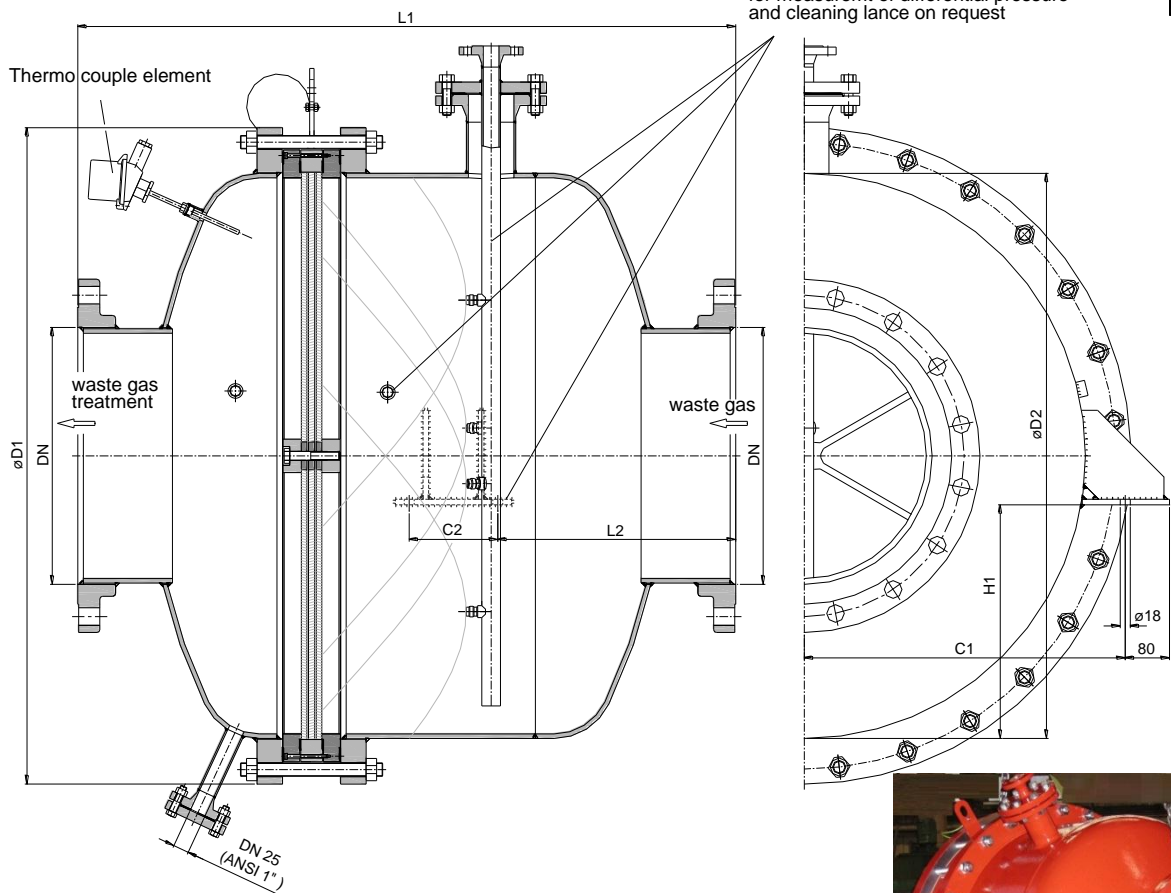
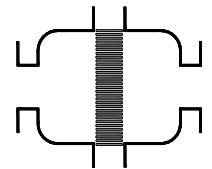


In-line Deflagration Flame Arrester

KITO® RV/N-.../...-IIA



Type examination certificate to DIN EN ISO 16852

CE -designation in accordance to ATEX-Guideline 94/9/EC

Example to order :

KITO® RV/N-800/400-IIA

size	DN	ANSI	D1	D2	L1	L2	C1	C2	H1	max. L/D**	kg* (DN)	kg* (ANSI)
800	400	16"	1015	813	900	295	487	130	316	10	540	
	500	20"									560	
1000	400	16"	1180	1016	1190	405	580	210	420	50	824	862
	500	20"									821	879
	600	24"									839	939

Dimensions in mm

* weight refers to the standard design

** ratio of pipe length to nominal pipe diameter

Design subject to change

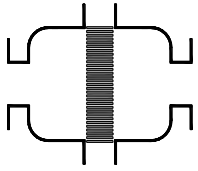
performance curves: H 0.26 N

Standard design

housing	: steel, stainless steel mat. no. 1.4571 or 1.4301
gasket	: HD3822, PTFE
KITO® flame arrester element	: completely interchangeable
KITO® casing	: steel, stainless steel mat. no. 1.4571 or 1.4301
KITO® grid	: stainless steel mat. no. 1.4310 or 1.4571
temperature sensor	: 2x PT100 (option)
condensate drain	
connecting piece	: blank flanged
flange connection	: DIN EN 1092-1 PN 10 form A, ANSI 150 lbs. RF

Application

Intermediate armature, mainly installed as in-line deflagration flame arrester in pipes to thermal incineration plants for vapor/air and air/gas mixtures. Unilaterally working in pipes, whereby an operating pressure of 1.2 bar abs. and an operating temperature of 60°C must not be exceeded. Approved for all substances of the explosion group IIA with a MESH > 0.9 mm. The maximum length of the pipe from the KITO® flame arrester to the ignition source is limited (L/D tube length/tube diameter). It is only allowed to install the device in pipes with nominal widths ≤ than the nominal width of the armature (DN). The thermal sensor serves to trigger an emergency function, e.g. shutting off or inerting the gas flow if a stabilized burning occurs at the KITO® flame arrester.



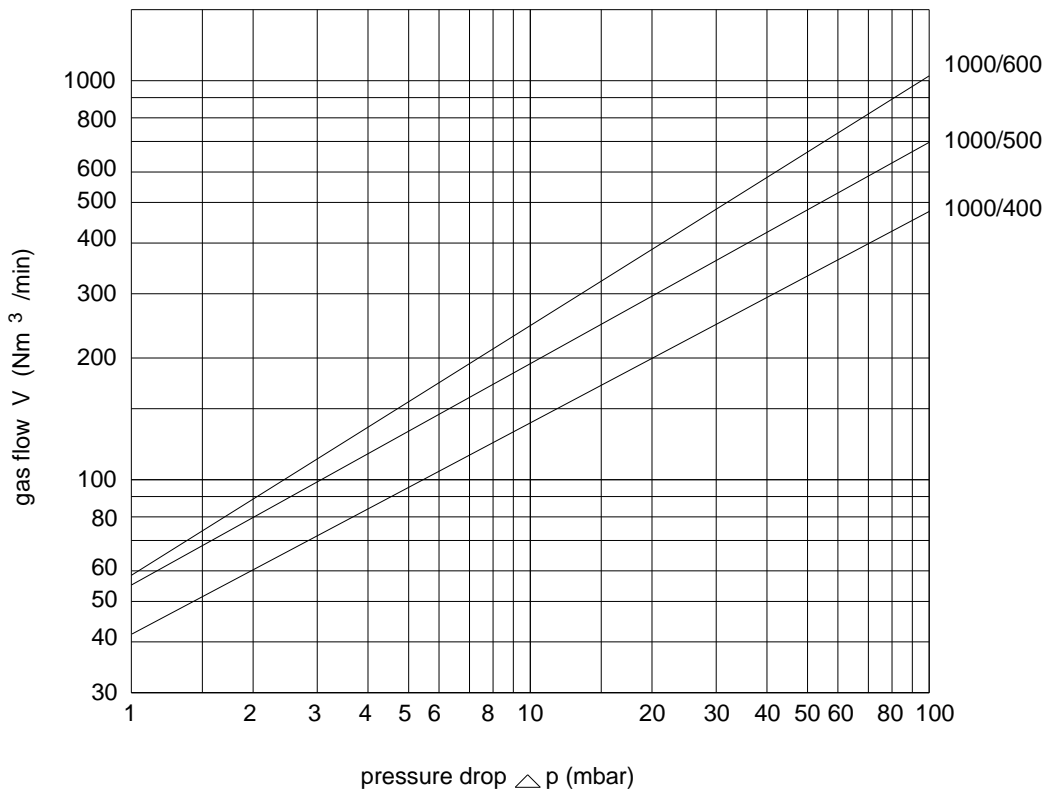
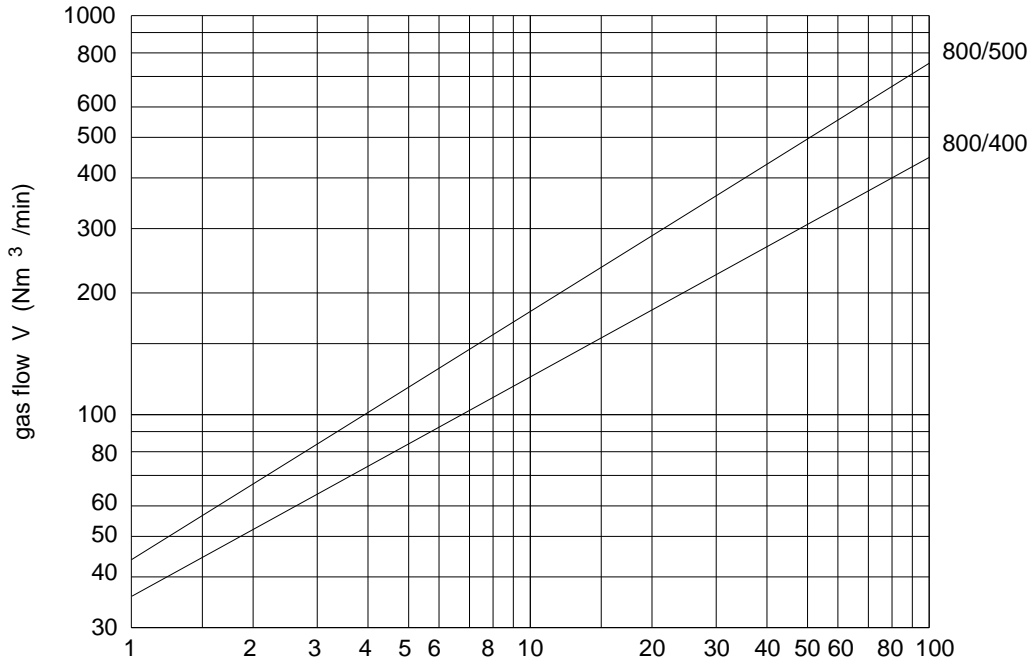
In-line Deflagration Flame Arrester

KITO® RV/N-.../...-IIA

H 26 N

Flow capacity V based on air of a density $\rho = 1.29 \text{ kg/m}^3$ at $T = 273 \text{ K}$ and atmospheric pressure $p = 1.013 \text{ mbar}$.

For other gases the flow can be approximately calculated by $\dot{V} = \dot{V}_b \cdot \sqrt{\frac{\rho_b}{1.29}}$ or $\dot{V}_b = \dot{V} \cdot \sqrt{\frac{1.29}{\rho_b}}$

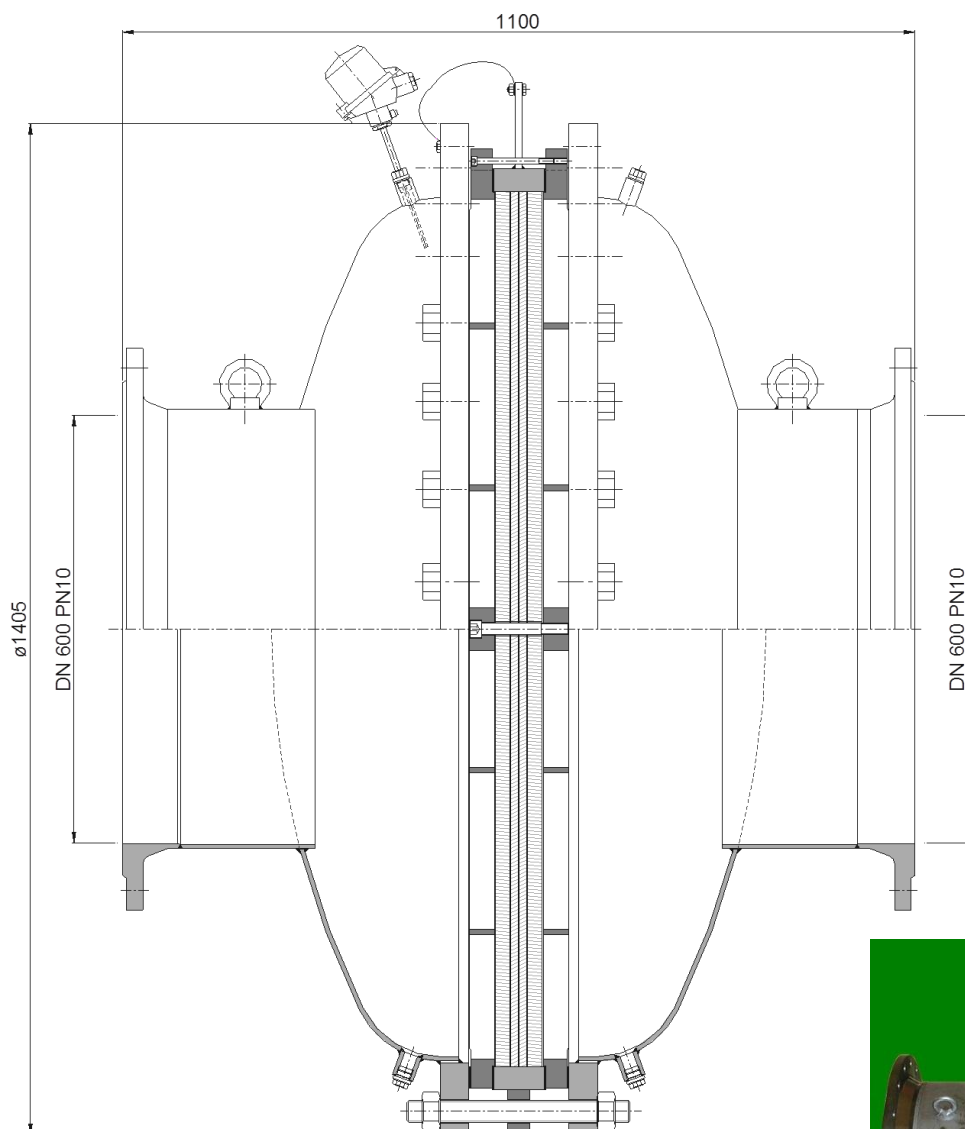
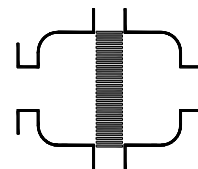


Design subject to change

In-line Deflagration Flame Arrester

KITO® RV/N-1200/600-IIA-1.6

KITO® RV/N-1200/600-IIA-1.6-T (-TT)



Dimensions in mm

Weight: ~ 980 kg

Type examination certificate to DIN EN ISO 16852

CE -designation in accordance to ATEX-Guideline 94/9/EC

Design subject to change

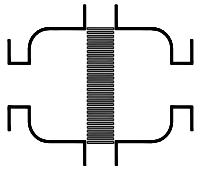
performance curves: H 0.26.1 N

Standard design

housing	: <u>steel</u> , stainless steel mat. no. 1.4301 / 1.4571
KITO® flame arrester element	: completely interchangeable
KITO® casing	: <u>steel</u> , stainless steel mat. no. 1.4301 / 1.4571
KITO® grid	: stainless steel <u>1.4310</u> / 1.4571
temperature sensor	: PT100 (option)
condensate drain connecting piece	: G ½"
flange connection	: <u>DIN EN 1092-1 PN 10 form B1</u> ANSI 150 lbs. RF

Application

intermediate armature, mainly installed as in-line deflagration flame arrester in pipes to thermal incineration plants for vapor/air and air/gas mixtures. Bi-directionally working in pipes, whereby an operating pressure of 1.6 bar abs. and an operating temperature of 200°C must not be exceeded. Approved for all substances of the explosion group IIA with a MESG > 0.9 mm. The maximum length of the pipe from the KITO® flame arrester to the ignition source is limited (< 50 x D). It is only allowed to install the device in pipes with nominal widths ≤ than the nominal width of the armature (DN). The thermal sensor serves to trigger an emergency function, e.g. shutting off or inerting the gas flow if a stabilized burning occurs at the KITO® flame arrester.

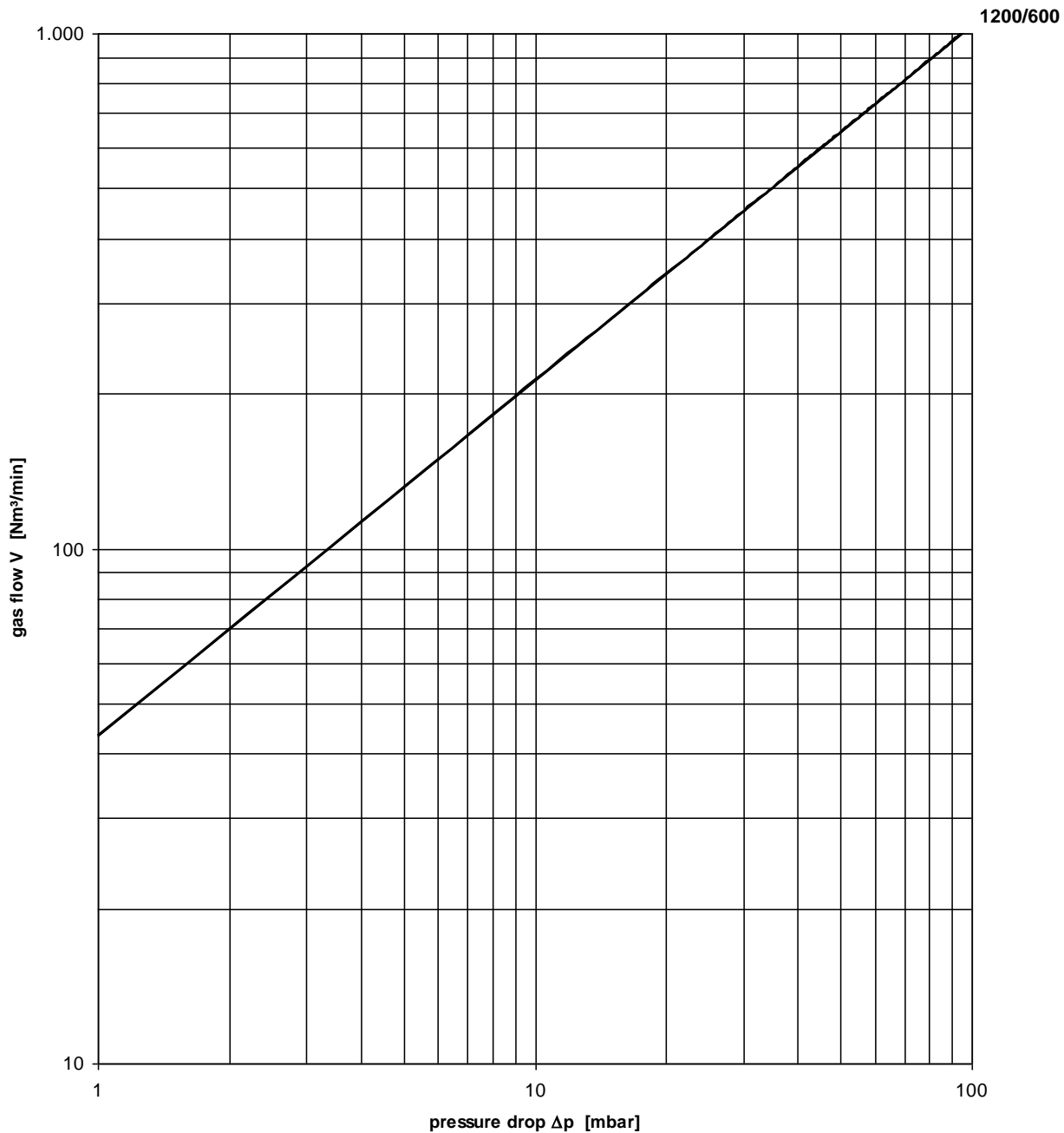


In-line Deflagration Flame Arrester
KITO® RV/N-1200/600-IIA-1.6
KITO® RV/N-1200/600-IIA-1.6-T (-TT)
H 26.1 N

The gas flow V is referenced to air with a density of $\rho = 1.29 \text{ kg/m}^3$.

For other gases the flow can be approximately calculated by:

$$\dot{V} = \dot{V}_b \cdot \sqrt{\frac{\rho_b}{1.29}} \text{ bzw. } \dot{V}_b = \dot{V} \cdot \sqrt{\frac{1.29}{\rho_b}}$$

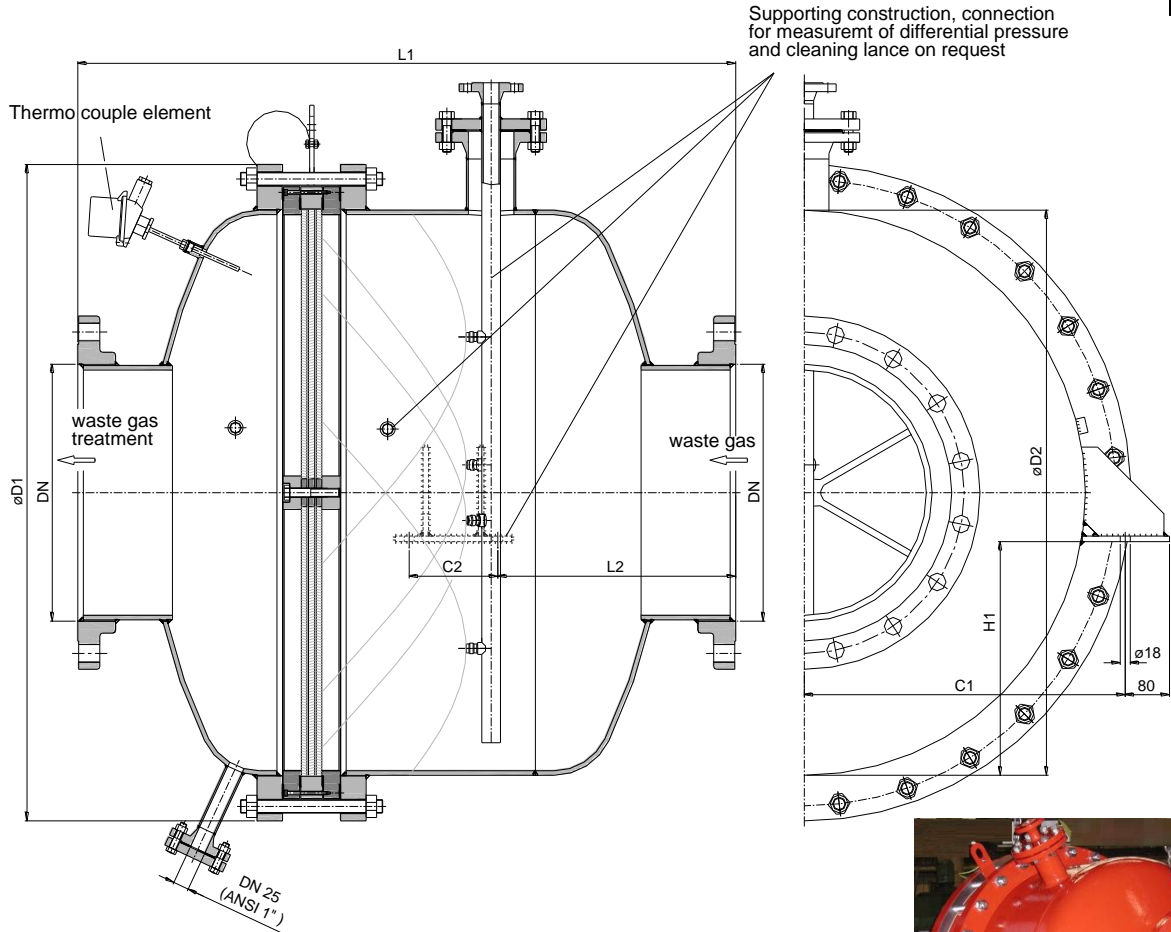
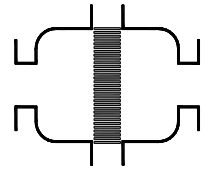


Design subject to change

In-line Deflagration Flame Arrester

KITO® RV/N-IIA-1000/...-1.2-X08

KITO® RV/N-IIA-1000/...-1.2-X08-T



Type examination certificate to DIN EN ISO 16852

CE -designation in accordance to ATEX-Guideline 94/9/EC

Example to order:

KITO® RV/N-IIA-1000/400-1.2-X08

size	DN	ANSI	D1	D2	L1	L2	C1	C2	H1	max. L/D**	kg* (DN)	kg* (ANSI)
1000	400	16"	1180	1016	1190	405	580	210	420	50	824	862
	450	18"										
	500	20"										
	600	24"										

Dimensions in mm

* weights refer to the standard design

** ratio of pipe length to nominal pipe diameter

Design subject to change

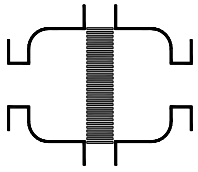
performance curves: H 0.26.2 N

Standard design

housing	: <u>steel</u> , stainless steel mat. no. 1.4571 or 1.4301
gasket	: <u>HD3822</u> , PTFE
KITO® flame arrester element	: completely interchangeable
KITO® casing	: <u>steel</u> , stainless steel mat. no. 1.4571 or 1.4301
KITO® grid	: stainless steel mat. no. <u>1.4310</u> or 1.4571
temperature sensor	: 2x PT100 (option)
condensate drain	
connecting piece	: blank flanged
flange connection	: <u>DIN EN 1092-1 PN 10 form A</u> , ANSI 150 lbs. RF

Application

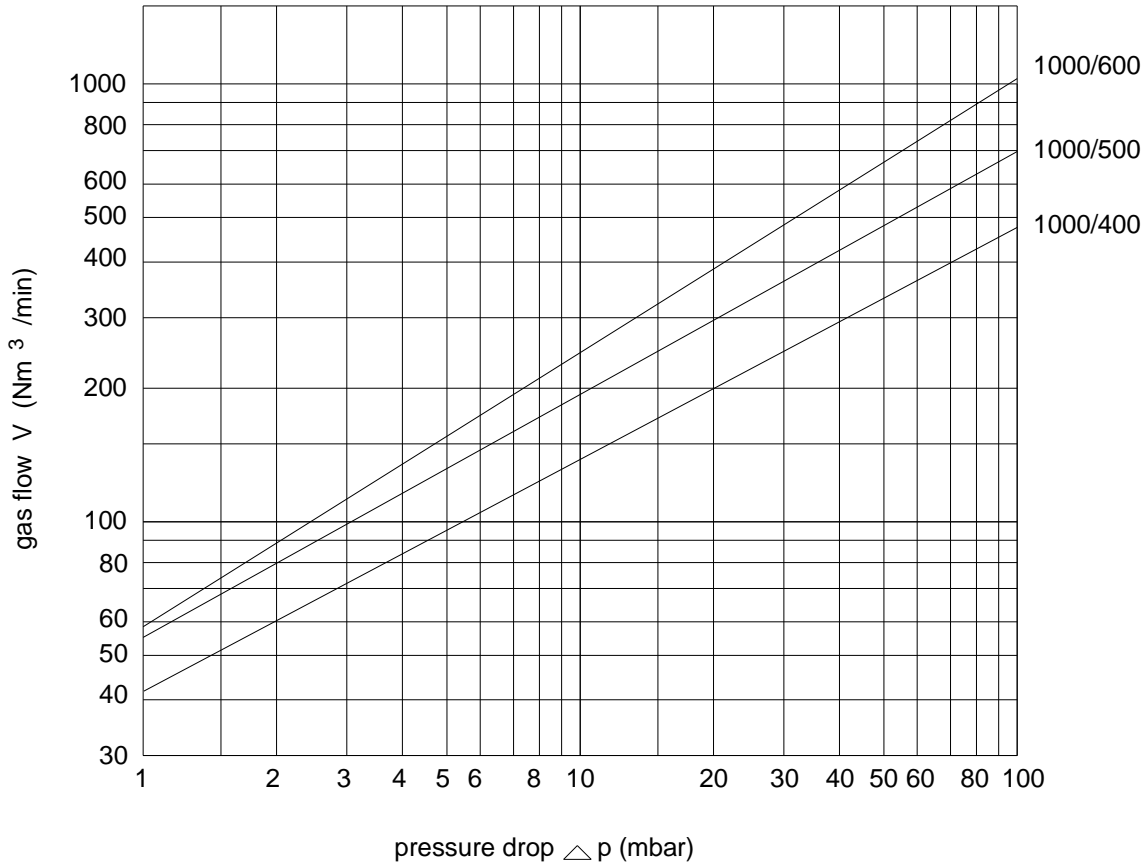
Intermediate armature, mainly installed as in-line deflagration flame arrester in pipes to thermal incineration plants for vapor/air and air/gas mixtures. Unilaterally working in pipes, whereby an operating pressure of 1.2 bar abs. and an operating temperature of 80°C must not be exceeded. Approved for all substances of the explosion group IIA with a MESH > 0.9 mm. The maximum length of the pipes from the KITO® flame arrester to the ignition source is limited (L/D tube length/tube diameter). It is only allowed to install the device in pipes with nominal widths ≤ than the nominal width of the armature (DN). The thermal sensor serves to trigger an emergency function, e.g. shutting off or inverting the gas flow if a stabilized burning occurs at the KITO® flame arrester. Proof against "stabilized burning" and withstand this up to a max. burn time BT = 1.0 min.



In-line Deflagration Flame Arrester
KITO® RV/N-IIA-1000/...-1.2-X08
KITO® RV/N-IIA-1000/...-1.2-X08-T
H 26.2 N

Flow capacity V based on air of a density $\rho = 1.29 \text{ kg/m}^3$ at $T = 273 \text{ K}$ and atmospheric pressure $p = 1.013 \text{ mbar}$.

For other gases the flow can be approximately calculated by $\dot{V} = \dot{V}_b \cdot \sqrt{\frac{\rho_b}{1.29}}$ or $\dot{V}_b = \dot{V} \cdot \sqrt{\frac{1.29}{\rho_b}}$



Design subject to change