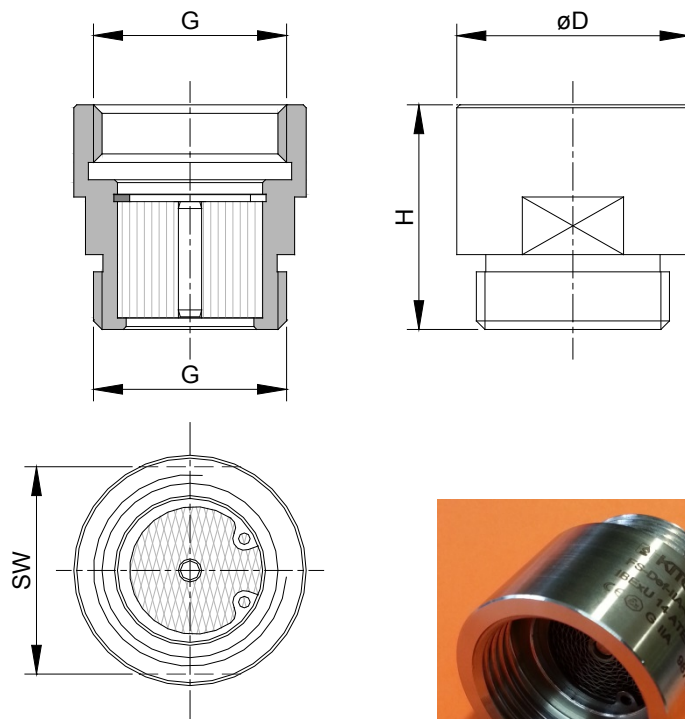
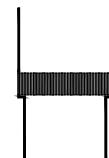


# Bi-directional in-line deflagration flame arrester KITO® FS-Def-IIA..."-1,2



Type examination according to ISO 16852

CE Marking after ATEX directive 94/9/EC

thread	D	H	SW
G 1/2"	30	39	24
G 3/4"	35	41	30
G 1"	45	39	41
G 1 1/4"	55	65	55
G 1 1/2"	60	65	55
G2"	75	65	70

Subject to changes

performance curves: H 0.44 N

### Standard version

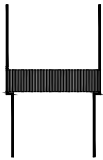
Housing : Stainless steel 1.4571  
KITO® grid : Stainless steel 1.4571  
Lock ring : Stainless steel  
Connection : Socket screw thread

### Utilisation:

Installation into pipelines as inline deflagration flame arrester e. g. for the protection of ignition gas lines of gas consumption devices (flare of biogas plants). Applicable for all materials of the explosion groups IIA1 up to IIA with a Maximum Experimental Safe Gap (MESG) > 0.9 mm. Operating from both sides, for a maximum operating pressure of 1.2 bar abs. and a maximum operating temperature of 60°C. The distance between the ignition source and the armature may not be larger than 50 x the inside pipe diameter.

Ordering example:

**KITO® FS-Def-IIA-1-1,2**

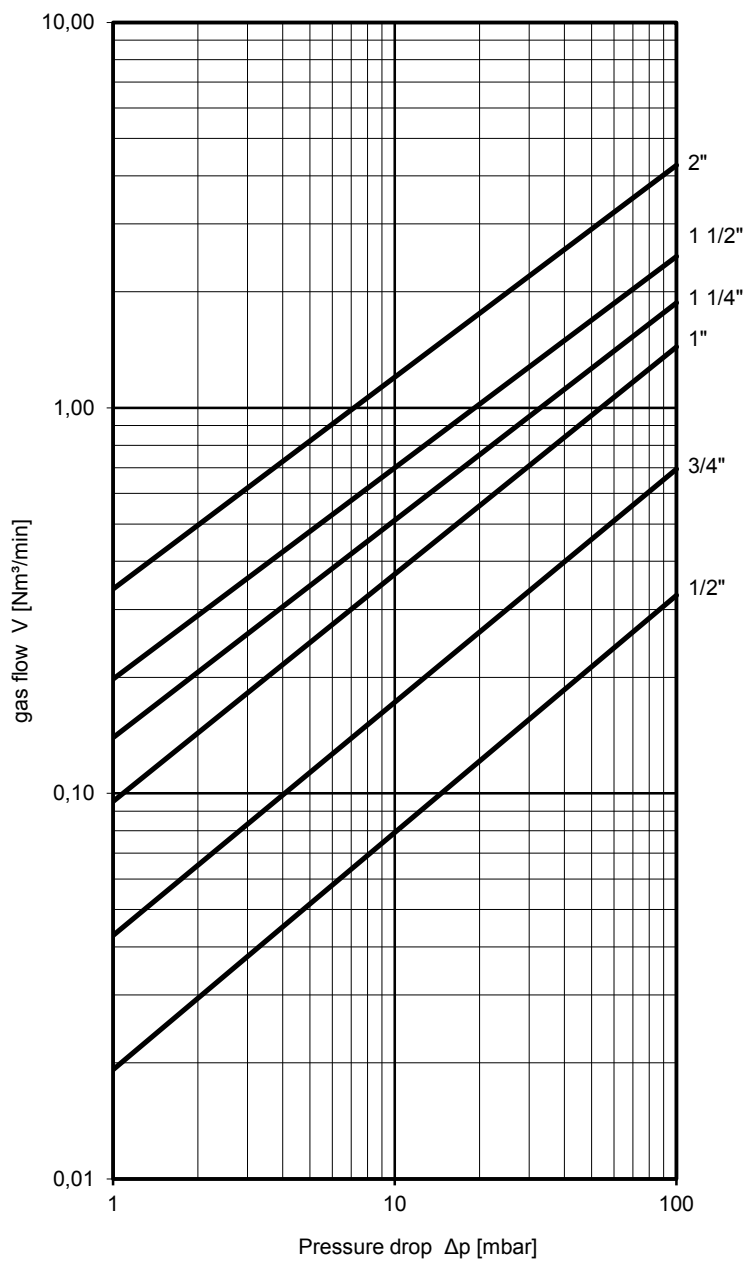


**Bi-directional in-line deflagration flame arrester**  
**KITO® FS-Def-IIA-..."-1,2**  
**H 44 N**

The volume flow  $V$  refers to the air density with  $\rho = 1.29 \text{ kg/m}^3$  at  $T = 273 \text{ K}$  and a pressure of  $p = 1.013 \text{ mbar}$ .

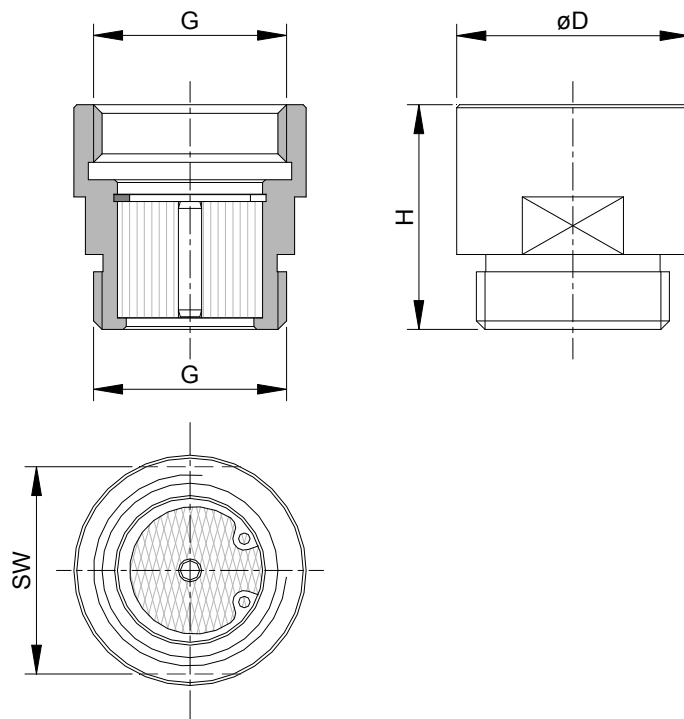
For materials of other densities, the gas flow can enough exactly be determined by an approximation equation:

$$\dot{V} = \dot{V}_b \cdot \sqrt{\frac{\rho_b}{1,29}} \quad \text{or} \quad \dot{V}_b = \dot{V} \cdot \sqrt{\frac{1,29}{\rho_b}}$$



Subject to changes

**Bi-directional in-line deflagration flame arrester**  
**KITO® FS-Def-IIB3..."-1.2**



**Type examination according to ISO 16852**

**CE Marking after ATEX directive 94/9/EC**

thread	D	H	SW
G 1/2"	30	39	24
G 3/4"	35	41	30
G 1"	45	39	41
G 1 1/4"	55	65	55
G 1 1/2"	60	65	55
G2"	75	65	70

Subject to changes

performance curves: H 0.45 N

**Standard version**

Housing : Stainless steel 1.4571  
 KITO® grid : Stainless steel 1.4571  
 Lock ring : Stainless steel  
 Connection : Socket screw thread

**Utilisation:**

Installation into pipelines as inline deflagration flame arrester e. g. for the protection of ignition gas lines of gas consumption devices (flare of biogas plants). Applicable for all materials of the explosion groups IIA1 up to IIB3 with a Maximum Experimental Safe Gap (MESG) ≥ 0,65 mm. Operating from both sides, for a maximum operating pressure of 1.2 bar abs. and a maximum operating temperature of 60°C. The distance between the ignition source and the armature may not be larger than 50 x the inside pipe diameter.

Ordering example:

**KITO® FS-Def-IIB3-1-1.2**



## Bi-directional in-line deflagration flame arrester

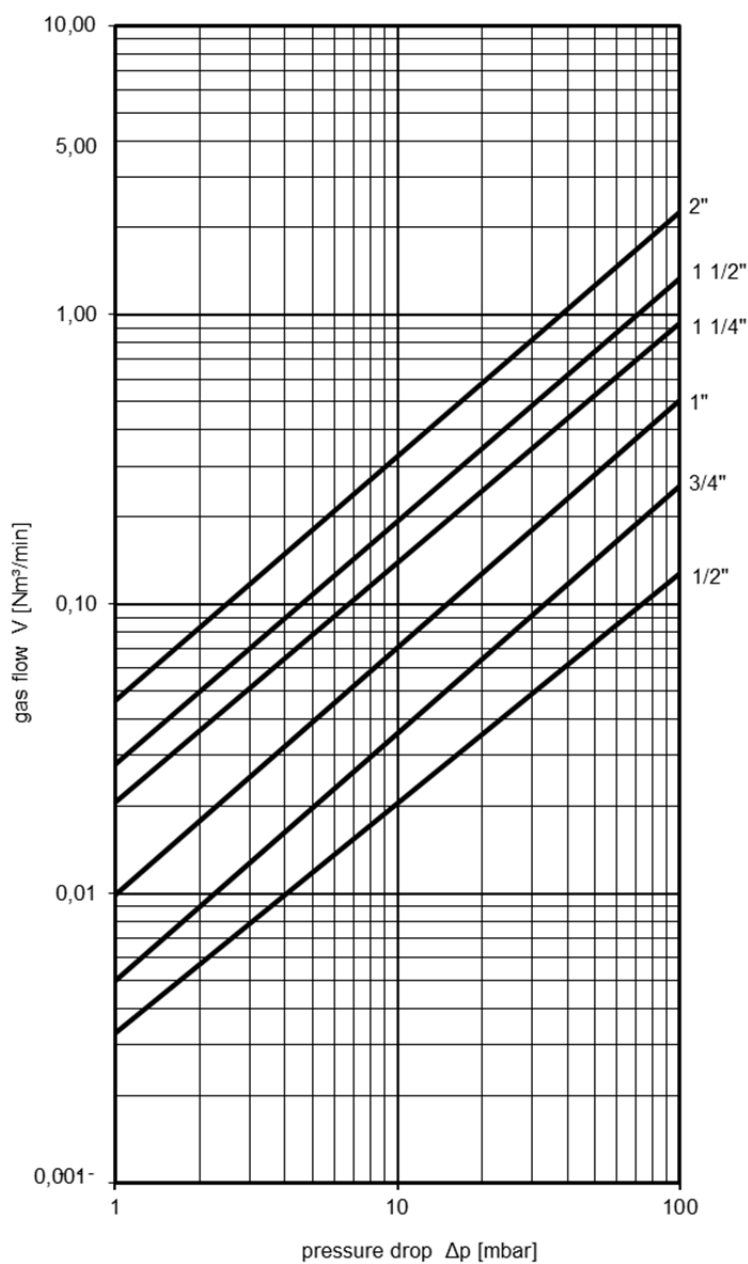
**KITO® FS-Def-IIB3-..."-1.2**

**H 45 N**

The volume flow  $V$  refers to the air density with  $\rho = 1.29 \text{ kg/m}^3$  at  $T = 273 \text{ K}$  and a pressure of  $p = 1.013 \text{ mbar}$ .

For materials of other densities, the gas flow can enough exactly be determined by an approximation equation:

$$\dot{V} = \dot{V}_b \cdot \sqrt{\frac{\rho_b}{1,29}} \quad \text{or} \quad \dot{V}_b = \dot{V} \cdot \sqrt{\frac{1,29}{\rho_b}}$$



Subject to changes