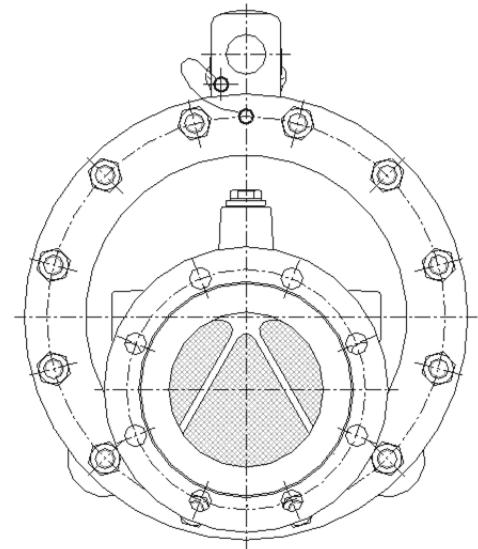
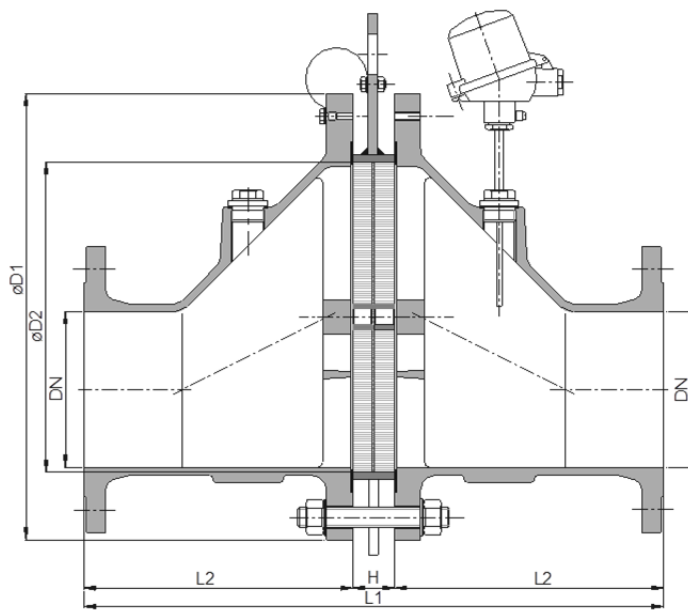
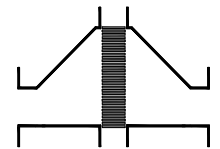


Bi-directional deflagration flame arrester

KITO® EFA-Def0-IIB3-.../...-1.2

KITO® EFA-Def0-IIB3-.../...-1.2-T (-TT)



Type examination certificate to EN ISO 16852
CE -designation in accordance to ATEX-Guideline 94/9/EC

NG	DN	ANSI	D1	D2	L1	H	L2	kg*
65	25 PN 40	1"	155	70	290	50	120	
	32 PN 40	1 1/4"						
	40 PN 40	1 1/2"						
100	50 PN 16	2"	220	106	340	50	145	25
								40
150	50 PN 16	2"	285	159	392	42	175	41
	65 PN 16	2 1/2"						43
	80 PN 16	3"						59
200	80 PN 16	3"	340	206	442	42	200	60
	100 PN 16	4"						105
								108
300	100 PN 16	4"	445	308	582	42	270	108
	125 PN 16	5"						108
	150 PN 16	6"						153
400	150 PN 16	6"	565	388	672	42	315	172
	200 PN 10	8"						243
								253
500	200 PN 10	8"	670	485	802	42	380	344
	250 PN 10	10"						360
600	250 PN 10	10"	780	584	942	42	450	
	300 PN 10	12"						
800	350 PN 10	14"	1015	810	1350	110	620	
	400 PN 10	16"						



Dimensions in mm

* weight refers to the standard design

Design subject to change

performance curves: H 0.39 N

Standard design

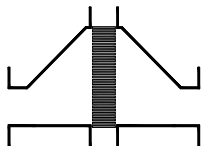
housing : cast steel 1.0619,
 stainless cast steel 1.4408
 gasket : HD 3822, PTFE
 KITO® flame arrester
 element : completely interchangeable
 KITO casing : steel (galvanized to NG 400),
 stainless steel mat. no. 1.4571, 1.4581
 KITO grid : stainless steel mat. no. 1.4310, 1.4571
 bolts/nuts : galvanized steel, SS
 temperature sensor : PT 100 (option); connection 3/8"
 flange connection : DIN EN 1092-1 form B1,
 ANSI 150 lbs. RF

Application

For installation into pipes to the protection of vessels and components against deflagration of flammable liquids and gases. Approved for all substances of explosion groups IIA1 to IIB3 with a maximum experimental safe gap (MESG) ≥ 0.65 mm. Bi-directionally working in pipes, whereby an operating pressure of 1.2 bar abs. and an operating temperature of 60°C must not be exceeded. The distance between a potential ignition source and the flame arrester must not exceed 50 times the inner pipe diameter. The installation of the deflagration flame arrester into horizontal and vertical pipes is permissible. When equipped with one or two temperature sensors, the devices are protected under atmospheric conditions against a short time burning by a burning time $t_{BT} = 1,0$ min. If only one temperature sensor, then it is to be placed on the device side where a burning could be expected.

Example to order:

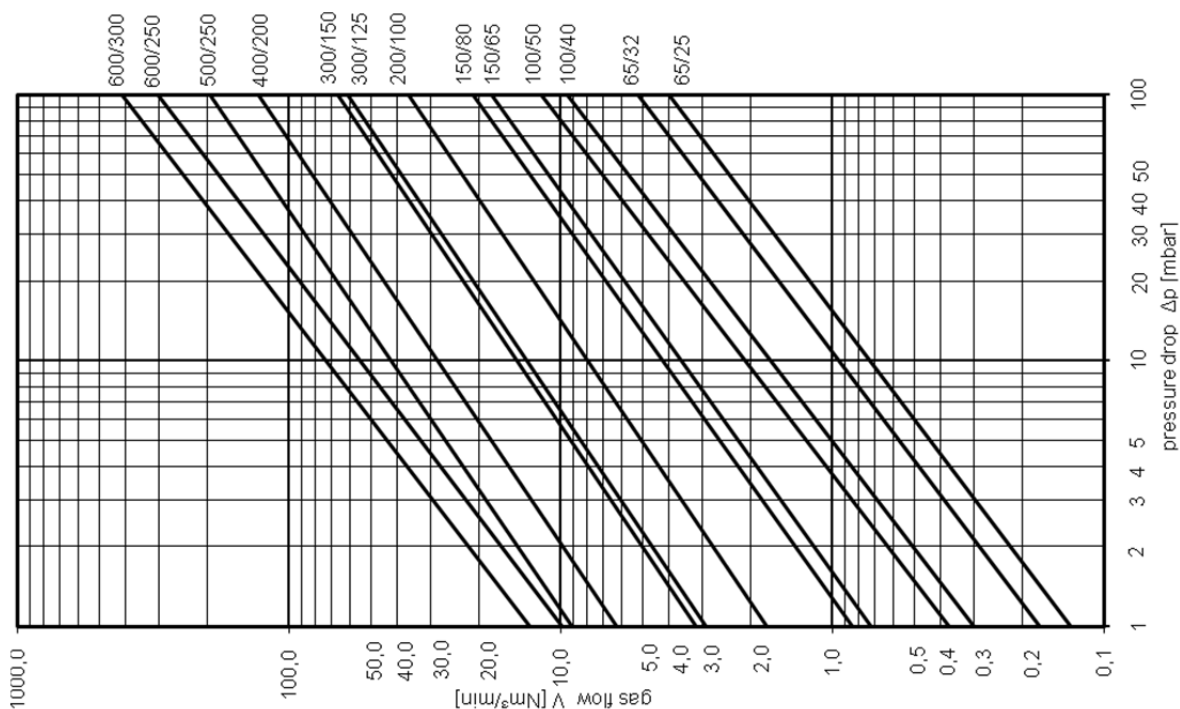
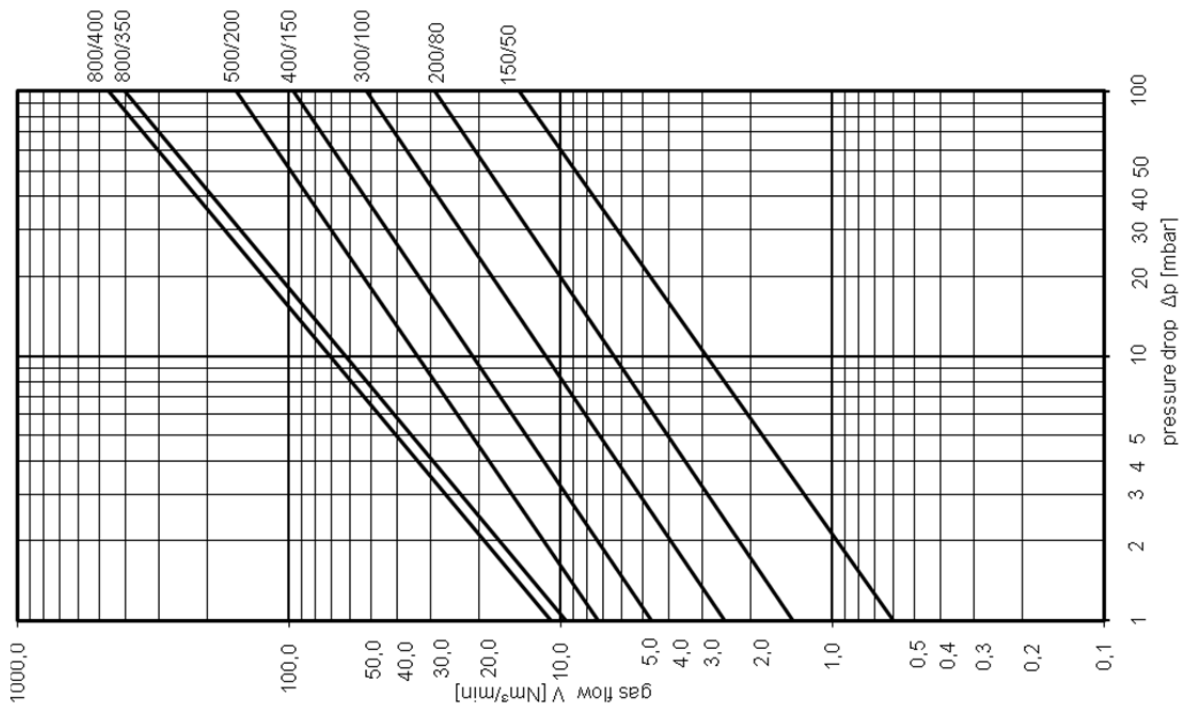
KITO® EFA-Def0-IIB3-100/40-1.2-T
 (design with thermo couple element)



Bi-directional deflagration flame arrester
KITO® EFA-Def0-IIB3-.../...-1.2
KITO® EFA-Def0-IIB3-.../...-1.2-T (-TT)
H 39 N

The flow capacity V refers to a density of air with $\rho = 1.29 \text{ kg/m}^3$ at $T = 273 \text{ K}$ and a pressure of $p = 1.013 \text{ mbar}$. The flow capacity for gases with different densities can be calculated sufficiently accurate by the following approximation equation:

$$\dot{V} = \dot{V}_b \cdot \sqrt{\frac{\rho_b}{1.29}} \quad \text{or} \quad \dot{V}_b = \dot{V} \cdot \sqrt{\frac{1.29}{\rho_b}}$$



Design subject to change