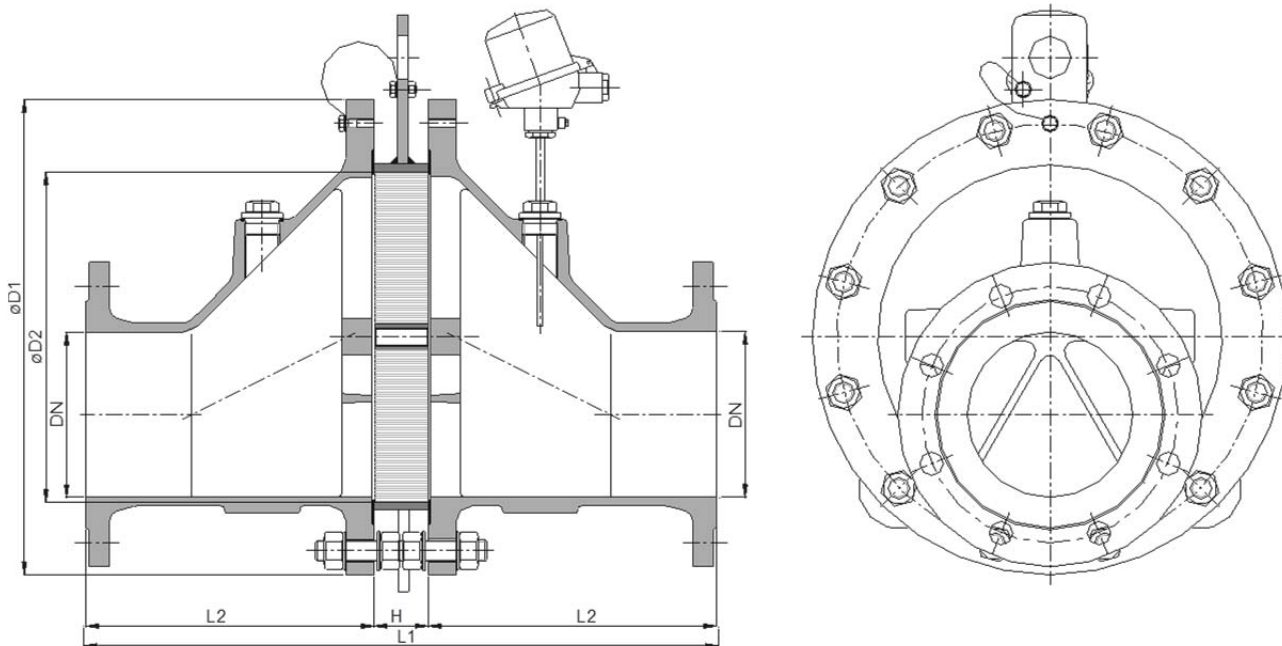
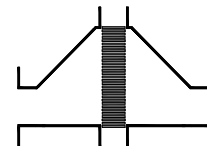


# Bi-directional deflagration flame arrester

KITO® EFA-Def0-I-.../...-6.0

KITO® EFA-Def0-I-.../...-6.0-T (-TT)



Type examination certificate to EN ISO 16852

CE - designation in accordance to ATEX-Guideline 94/9/EC

NG	DN	ANSI	D1	D2	L1	H	L2	kg*
65	25 PN 40	1"	155	70	290	50	120	11
								12
150	50 PN 16	2"	285	159	400	50	175	26
	65 PN 16	2 1/2"						43
	80 PN 16	3"						

Dimensions in mm

\* weight refers to the standard design



Design subject to change

performance curves: H 0.34.2 N

### Standard design

- housing : cast steel 1.0619, stainless cast steel 1.4408
- gasket : HD 3822, PTFE
- KITO® flame arrester element : completely interchangeable
- KITO® casing : 1.0305, stainless steel mat. no. 1.4571, 1.4581
- KITO® grid : stainless steel mat. no. 1.4310, 1.4571,
- bolts/nuts : galvanized steel, SS
- temperature sensor : PT 100 (option); connection 3/8"
- flange connection : DIN EN 1092-1 form B1, ANSI 150 lbs. RF

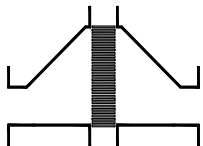
### Application

For installation into pipes to the protection of vessels and components against deflagration of flammable liquids and gases. Approved for all substances of explosion group IIA1 (old : I) with a maximum experimental safe gap (MESG)  $\geq 1.14$  mm. Bi-directionally working in pipes, whereby an operating pressure of 6.0 bar abs. and an operating temperature of 60°C must not be exceeded. The distance between a potential ignition source and the flame arrester must not exceed 50 times the inner pipe diameter. The installation of the deflagration flame arrester into horizontal and vertical pipes is permissible. When equipped with one or two temperature sensors, the devices are protected under atmospheric conditions against a short time burning by a burning time  $t_{BT} = 1,0$  min. If only one temperature sensor, then it is to be placed on the device side where a burning could be expected.

Example to order:

**KITO® EFA-Def0-I-65/25-6.0-T**

(design with thermo couple element)

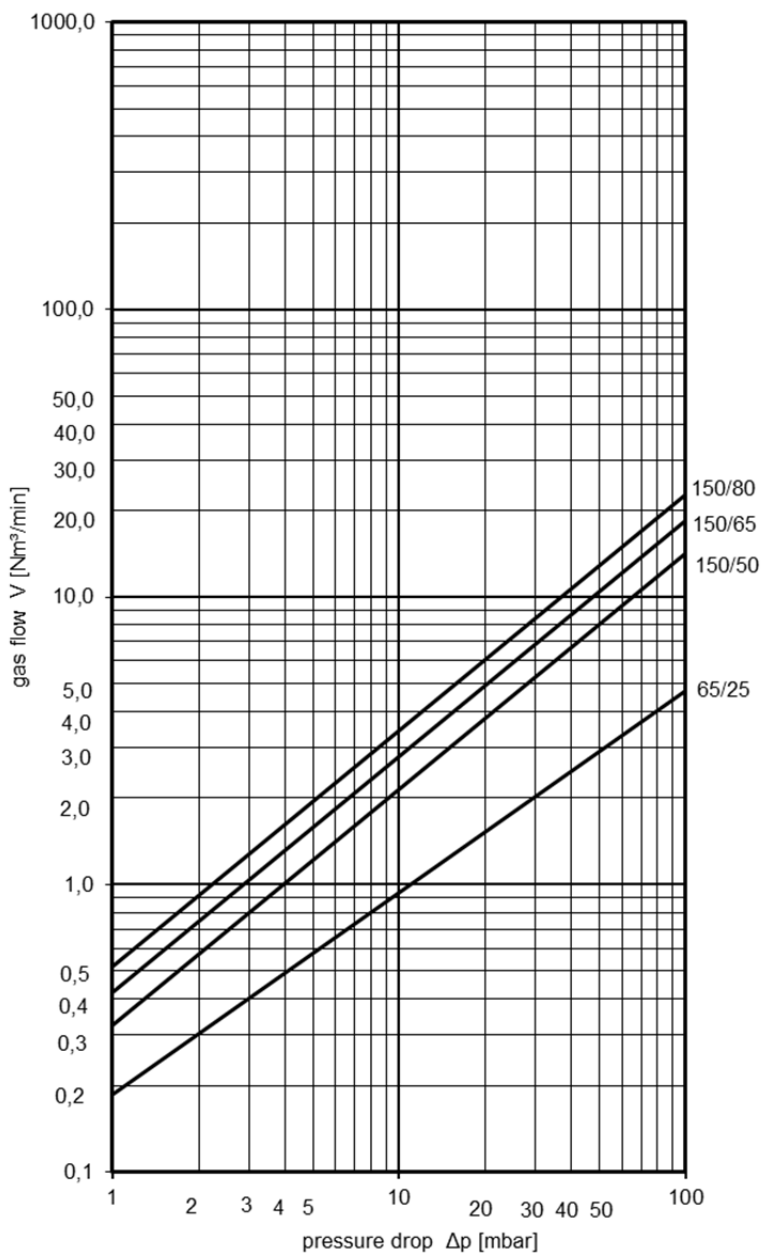


**Bi-directional deflagration flame arrester**  
**KITO® EFA-Def0-I-.../...-6.0**  
**KITO® EFA-Def0-I-.../...-6.0-T (-TT)**  
**H 34.2 N**

The flow capacity  $V$  refers to a density of air with  $\rho = 1.29 \text{ kg/m}^3$  at  $T = 273 \text{ K}$  and a pressure of  $p = 1.013 \text{ mbar}$

The flow capacity for gases with different densities can be calculated sufficiently accurate by the following approximation equation:

$$\dot{V} = \dot{V}_b \cdot \sqrt{\frac{\rho_b}{1.29}} \quad \text{or} \quad \dot{V}_b = \dot{V} \cdot \sqrt{\frac{1.29}{\rho_b}}$$



Design subject to change