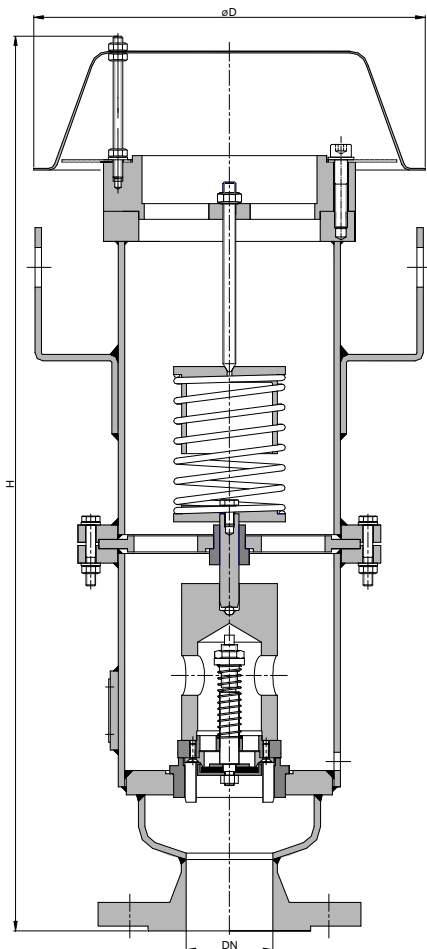
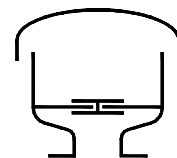


# Combined Pressure / Vacuum Relief Valve KITO® VD/o-1



Without EC certificate and CE -designation

DN		D	H		kg	Setting* (mbar)			
DIN	ANSI		DIN	ANSI		vacuum		pressure	
						min.	max.	min.	max.
50	PN 16	220	565	584		3	50	200	350
80	PN 16	260	820	850		3	50		
100	PN 16	260	820	850		3	50		
125	PN 16	405				3	50	150	
150	PN 16	405				3	50		
200	PN 10	450				3	50		
250	PN 10	600				3	50		

Dimensions in mm

\* minor settings see type sheet E 17 N, higher settings on request.

Design subject to change

performance curves: E 0.17.1 N

### Standard design

housing : steel, mat. no. 1.4571  
 valve parts / spindle : stainless steel mat. no. 1.4571  
 valve sealing (vacuum) : NBR, Viton, PTFE  
 valve sealing (pressure) : metal sealing  
 valve pallet : spring loaded  
 parts spring loading : stainless steel mat. no. 1.4571  
 compression springs : stainless steel  
 weather hood : mat. no. 1.4301, mat. no. 1.4571,  
 protective screen : PA6 (> DN 100 mat. no. 1.4301 or 1.4571)  
 flange connection : DIN EN 1092-1 form B1,  
 ANSI 150 lbs. RF

### Application

end-of-line armature, as breather and venting device, mainly used for tanks in which inflammable liquids are stored. Used to prevent inadmissible pressure or vacuum as well as gas losses or inadmissible emissions respectively. Valve is not explosion-proof on endurance-burning proof.