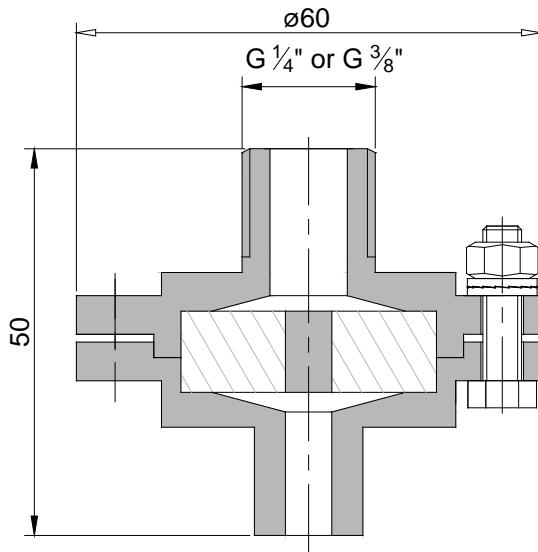
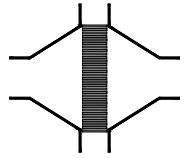


Condensate Drain Device
KITO® SK/K-IIA



**Type examination certificate to
 DIN EN ISO 16852**

**CE -designation in accordance
 to ATEX-Guideline 94/9/EC**



Design subject to change

Standard design

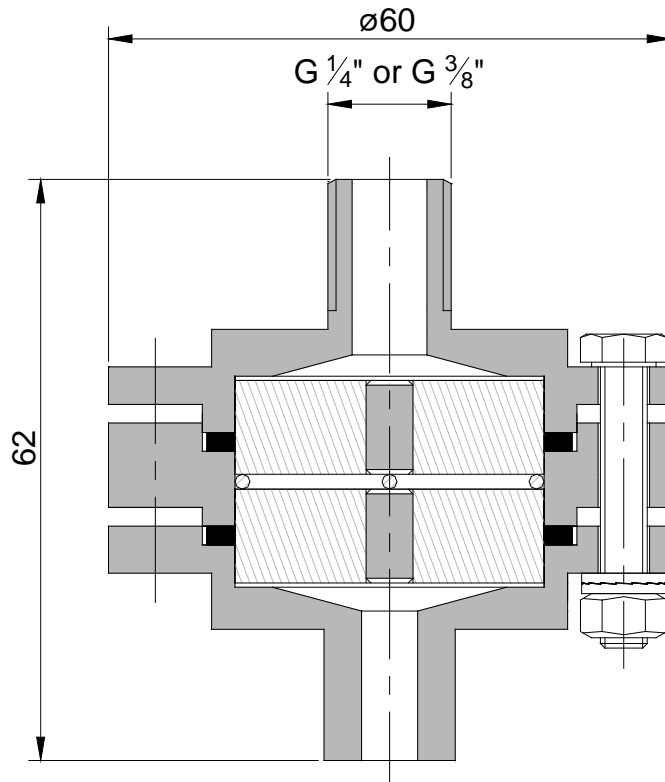
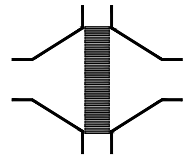
housing : stainless steel mat. no. 1.4571
 KITO® grid $\varnothing 33$ mm : mat. no. 1.4571
 screws / nuts : A4
 connection : $G \frac{1}{4}" \text{ or } G \frac{3}{8}"$

Application

Fittings for screwing in armature housings, of endurance-burn proof pressure valves and combined PV valves for all inflammable liquids and vapors of explosion group IIA with MESH >0.9 mm.

The condensate drain device enables draining of the condensate inside the housing to the outside and prevents flames from entering the valves

Condensate Drain Device
KITO® SK/K-IIB1



**Type examination certificate to
 DIN EN ISO 16852**

**CE -designation in accordance
 to ATEX-Guideline 94/9/EC**

Design subject to change

Standard design

housing	: stainless steel mat. no. 1.4571
sealing	: PTFE
KITO® grid ø33 mm	: mat. no. 1.4571
screws / nuts	: A4
connection	G 1/4" or G 3/8"

Application

Fittings for screwing in armature housings, of endurance-burn proof pressure valves and combined PV valves for all inflammable liquids and vapors of explosion group IIB1 with MESG ≥ 0.85 mm. The condensate drain device enables draining of the condensate inside the housing to the outside and prevents flames from entering the valves