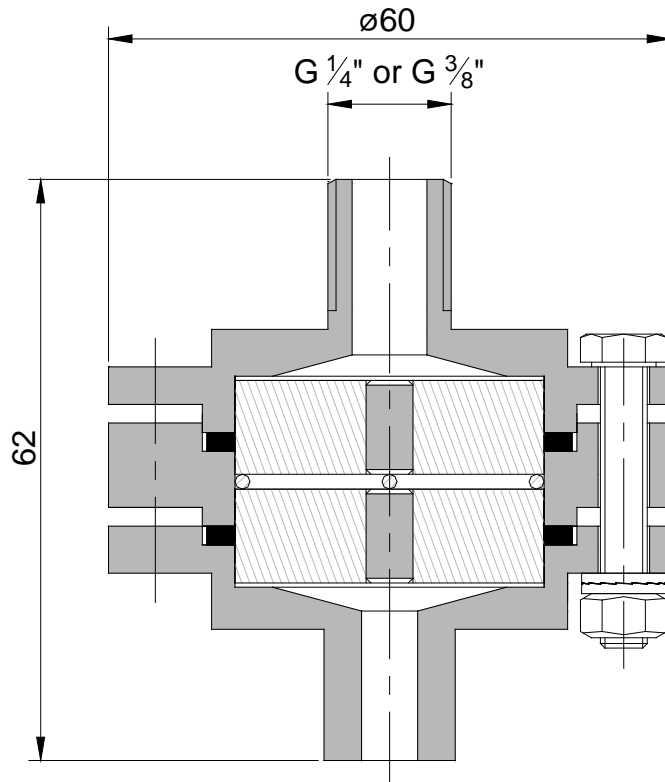
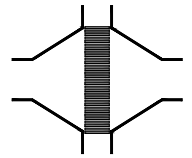


**Condensate Drain Device**  
**KITO® SK/K-IIB1**



**Type examination certificate to  
 DIN EN ISO 16852**

**CE -designation in accordance  
 to ATEX-Guideline 94/9/EC**

Design subject to change

Standard design

housing	: stainless steel mat. no. 1.4571
sealing	: PTFE
KITO® grid ø33 mm	: mat. no. 1.4571
screws / nuts	: A4
connection	G 1/4" or G 3/8"

Application

Fittings for screwing in armature housings, of endurance-burn proof pressure valves and combined PV valves for all inflammable liquids and vapors of explosion group IIB1 with MESG ≥ 0.85 mm. The condensate drain device enables draining of the condensate inside the housing to the outside and prevents flames from entering the valves