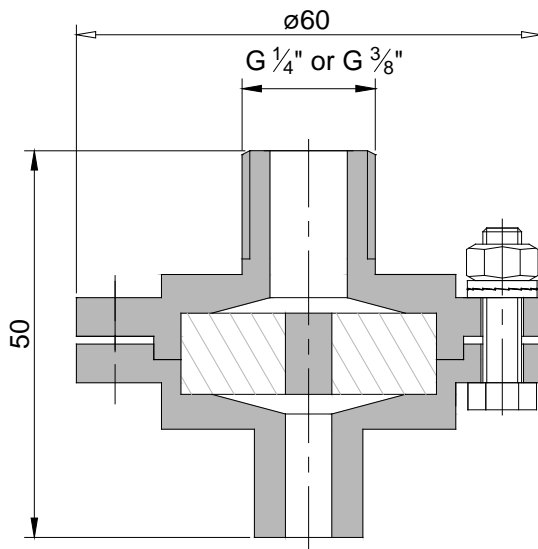
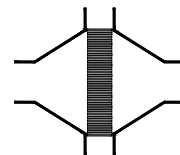


Condensate Drain Device KITO® SK/K-IIA



**Type examination certificate to
DIN EN ISO 16852**

**CE -designation in accordance
to ATEX-Guideline 94/9/EC**



Design subject to change

Standard design

housing : stainless steel mat. no. 1.4571
 KITO® grid $\varnothing 33$ mm : mat. no. 1.4571
 screws / nuts : A4
 connection : $G \frac{1}{4}" \text{ or } G \frac{3}{8}"$

Application

Fittings for screwing in armature housings, of endurance-burn proof pressure valves and combined PV valves for all inflammable liquids and vapors of explosion group IIA with MESH >0.9 mm.

The condensate drain device enables draining of the condensate inside the housing to the outside and prevents flames from entering the valves