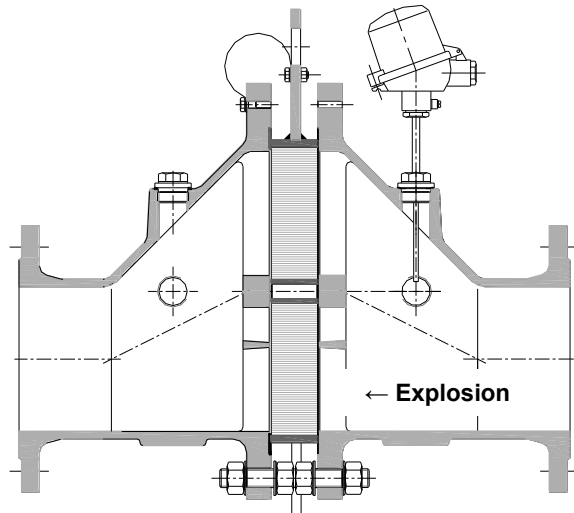


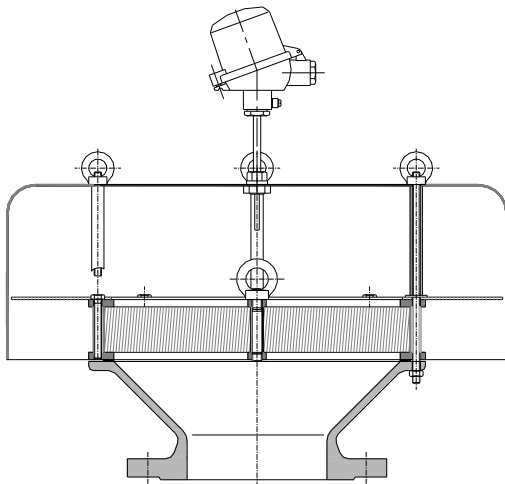
## Examples: Temperature Monitoring for KITO® In-line Explosion and Detonation Flame Arresters



Example : KITO® EFA-Det4-IIA-.../...-1.2-T



Example : KITO® INE-I-.../...-1.2-T



Example : KITO® VH-...-IIC-T



Example : KITO® RG-Def-I-...-1.2-T

*Design (see sheet L 20 N) and number of the thermo couple sensors, as well as special type sheets on request!*