

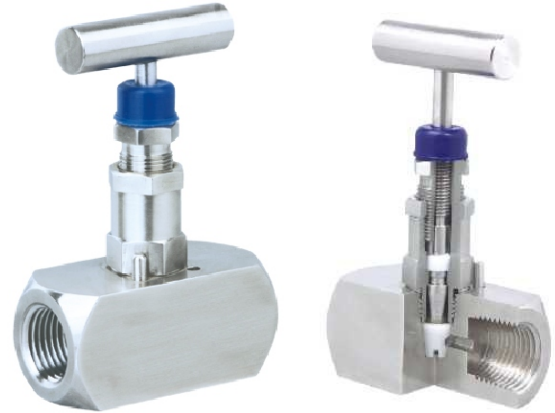
FEATURES

- Back seating to prevent stem blow-out

APPLICATION

- High pressure line shut off
- Instrument isolation
- Liquid & gas services

Isolation

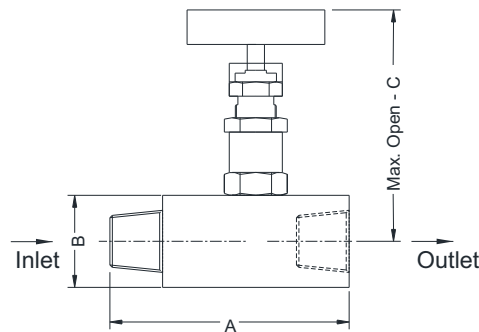


STANDARD SPECIFICATIONS

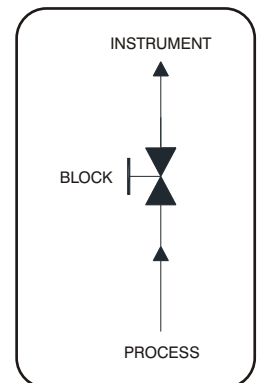
Stem type	: Hard seated stem
Wetted parts	: AISI 316 SS
Instrument connection	: 1/2" NPT (F) / 1/2" BSP (F)
Stem packing	: PTFE
Process connection	: 1/2" NPT (F) / 1/2" BSP (F)
Valve form	: Direct
Stem	: Conical metal tip
Max. working pressure	: 413.7 bar (6000 psi)
Max. working temperature	: 240°C
"T" bar handle	: AISI 304 SS

DIMENSIONAL DRAWING

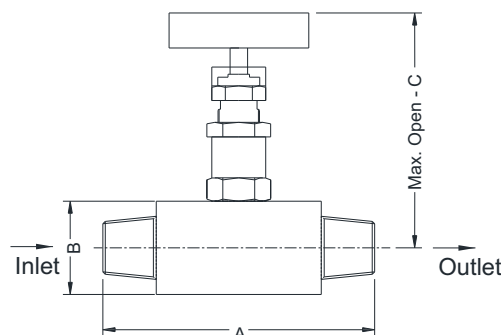
MALE X FEMALE



FLOW DIAGRAM

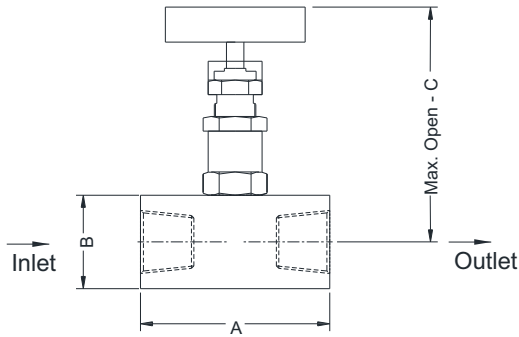


MALE X MALE



DIMENSIONAL DRAWING

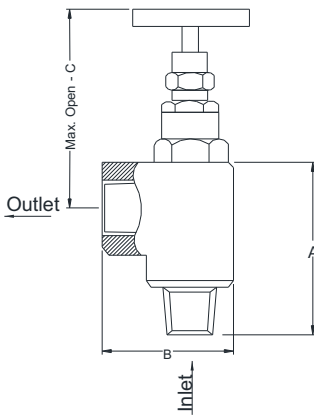
FEMALE X FEMALE



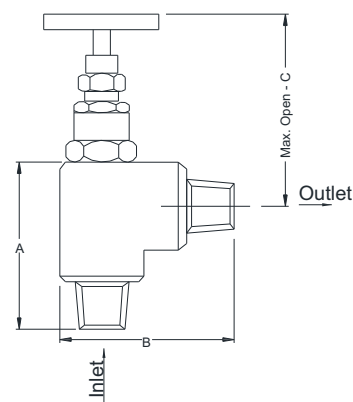
Connections		Length A	Width B	Max. open - C Stem Type		
Size	Type			HS	SS	RP
NPT 1/8"	F x F	50	20	55	65	64.5
	M x F	55	20	55	65	64.5
	M x M	60	20	55	65	64.5
NPT 1/4"	F x F	55	25	65	65	64.5
	M x F	65	25	65	65	64.5
	M x M	60	25	65	65	64.5
NPT 3/8"	F x F	55	25	65	65	64.5
	M x F	65	25	65	65	64.5
	M x M	65	25	65	65	64.5
NPT 1/2"	F x F	65	32	86.6	93.5	94
	M x F	75	32	86.6	93.5	94
	M x M	70	32	86.6	93.5	94
NPT 3/4"	F x F	70	38	88.6	96.5	97
	M x F	75	38	88.6	96.5	97
	M x M	80	38	88.6	96.5	97
NPT 1"	F x F	90	45	98	101	101
	M x F	105	45	98	101	101
	M x M	105	45	98	101	101

Angle Form

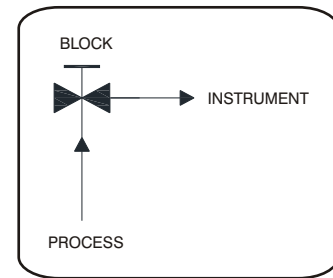
MALE X FEMALE



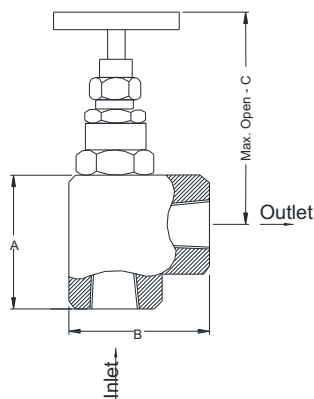
MALE X MALE



FLOW DIAGRAM



FEMALE X FEMALE



Connections		A	B	Max. open - C Stem Type	
Size	Type			HS	SS
NPT 1/4"	F x F	32	32	62	63
	M x F	48	32	62	63
	M x M	48	48	62	63
NPT 3/8"	F x F	32	32	62	63
	M x F	48	32	62	63
	M x M	48	48	62	63
NPT 1/2"	F x F	50	50	86.6	95.5
	M x F	70	50	86.6	95.5
	M x M	70	70	86.6	95.5

All dimensions are in mm

ORDERING CODES

1. STEM TYPE

HS	Hard seated stem (Metal)
SS	Soft seated stem (Derlin)
RP	Rising plug stem (Derlin)

HS

2. WETTED PARTS

MB	Carbon Steel / ASTM A105
MC	AISI 304 SS
MF	AISI 316 SS
MG	AISI 316L SS
MM	Monel 400
MN	Monel K-500
MO	Hastelloy C-276

MF

3. INSTRUMENT CONNECTION

11N	1/8" NPT (M)
12N	1/4" NPT (M)
13N	3/8" NPT (M)
14N	1/2" NPT (M)
11B	1/8" BSP (M)
12B	1/4" BSP (M)
13B	3/8" BSP (M)
14B	1/2" BSP (M)
01N	1/8" NPT (F)
02N	1/4" NPT (F)
03N	3/8" NPT (F)
04N	1/2" NPT (F)
01B	1/8" BSP (F)
02B	1/4" BSP (F)
03B	3/8" BSP (F)
04B	1/2" BSP (F)
1SW	1/8" Socket-Weld
2SW	1/4" Socket-Weld
4SW	1/2" Socket-Weld
5SW	3/4" Socket-Weld

04N

4. STEM PACKING

P	PTFE
G	Grafoil

P

5. PROCESS CONNECTION

11N	1/8" NPT (M)
12N	1/4" NPT (M)
13N	3/8" NPT (M)
14N	1/2" NPT (M)
11B	1/8" BSP (M)
12B	1/4" BSP (M)
13B	3/8" BSP (M)
14B	1/2" BSP (M)
01N	1/8" NPT (F)
02N	1/4" NPT (F)
03N	3/8" NPT (F)
04N	1/2" NPT (F)
01B	1/8" BSP (F)
02B	1/4" BSP (F)
03B	3/8" BSP (F)
04B	1/2" BSP (F)
1SW	1/8" Socket-Weld
2SW	1/4" Socket-Weld
4SW	1/2" Socket-Weld
5SW	3/4" Socket-Weld

04N

6. VALVE FORM

A	Angular
D	Direct

D

7. OTHER OPTIONS

XY	Circular Handle
TN	Tested to NACE standards
TO	Certification for Oxygen service
TM	Material test certificate 2.2
TH	Hydro test certificate
TC	Material test certificate 3.1
XL	Marking by laser

XL

Ordering Example : V101-HS-MF-04N-P-04N-D-XL

NOTES:

1. Other connections are available, please contact factory for details.
2. Valve stem dust covers shall be identified with color codes according to their function as ; Blue = ISOLATE

FEATURES

- Back seating to prevent stem blow-out

APPLICATION

- Isolation & Venting of gauges, switches & other instruments
- Liquid & gas services

Block & Bleed

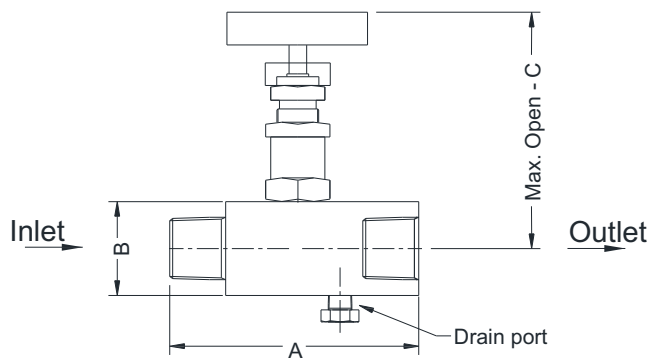


STANDARD SPECIFICATIONS

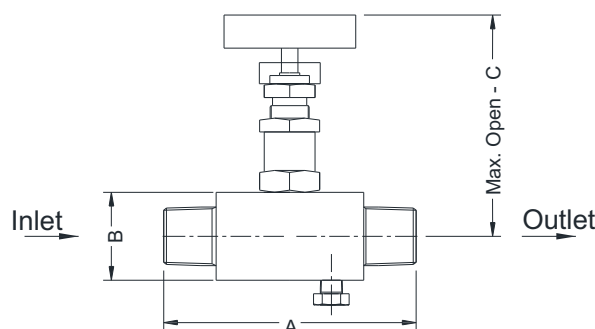
Stem type	: Hard seated stem
Wetted parts	: AISI 316 SS
Instrument connection	: 1/2" NPT (F) / 1/2" BSP (F)
Stem packing	: PTFE
Process connection	: 1/2" NPT (M) / 1/2" BSP (M)
Stem	: Conical metal tip
Max. working pressure	: 413.7 bar (6000 psi)
Max. working temperature	: 240°C
"T" bar handle	: AISI 304 SS
Drain plug	: 1/4" NPT (F), plugged

DIMENSIONAL DRAWING

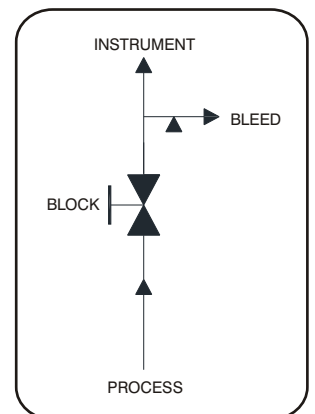
MALE X FEMALE



MALE X MALE

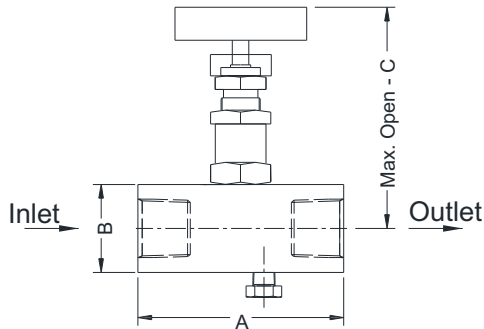


FLOW DIAGRAM



DIMENSIONAL DRAWING

FEMALE X FEMALE



All dimensions are in mm

Size	Type	A	B	Max. open - C
NPT 1/4"	F x F	70	25	65
	M x F	70	25	65
	M x M	75	25	65
NPT 3/8"	F x F	70	25	65
	M x F	70	25	65
	M x M	75	25	65
NPT 1/2"	F x F	75	32	86.6
	M x F	83	32	86.6
	M x M	88	32	86.6
NPT 3/4"	F x F	75	38	86.6
	M x F	83	38	86.6
	M x M	88	38	86.6

ORDERING CODES

1. STEM TYPE

HS Hard seated stem (Metal)

HS

2. WETTED PARTS

MB Carbon Steel / ASTM A105
MC AISI 304 SS
MG AISI 316L SS
MN Monel K-500
MF AISI 316 SS
MM Monel 400
MO Hastelloy C-276

MF

3. INSTRUMENT CONNECTION

11N 1/8" NPT (M) **12N** 1/4" NPT (M)
13N 3/8" NPT (M) **14N** 1/2" NPT (M)
11B 1/8" BSP (M) **12B** 1/4" BSP (M)
13B 3/8" BSP (M) **14B** 1/2" BSP (M)
01N 1/8" NPT (F) **02N** 1/4" NPT (F)
03N 3/8" NPT (F) **04N** 1/2" NPT (F)
01B 1/8" BSP (F) **02B** 1/4" BSP (F)
03B 3/8" BSP (F) **04B** 1/2" BSP (F)
1SW 1/8" Socket-Weld
2SW 1/4" Socket-Weld
4SW 1/2" Socket-Weld
5SW 3/4" Socket-Weld

04N

4. STEM PACKING

P PTFE **G** Grafoil

P

5. PROCESS CONNECTION

11N 1/8" NPT (M) **12N** 1/4" NPT (M)
13N 3/8" NPT (M) **14N** 1/2" NPT (M)
11B 1/8" BSP (M) **12B** 1/4" BSP (M)
13B 3/8" BSP (M) **14B** 1/2" BSP (M)
01N 1/8" NPT (F) **02N** 1/4" NPT (F)
03N 3/8" NPT (F) **04N** 1/2" NPT (F)
01B 1/8" BSP (F) **02B** 1/4" BSP (F)
03B 3/8" BSP (F) **04B** 1/2" BSP (F)
1SW 1/8" Socket-Weld
2SW 1/4" Socket-Weld
4SW 1/2" Socket-Weld
5SW 3/4" Socket-Weld

14N

6. OTHER OPTIONS

XY Circular Handle
TN Tested to NACE standards
TO Certification for Oxygen service
TM Material test certificate 2.2
TH Hydro test certificate
TC Material test certificate 3.1
XL Marking by laser

XL

Ordering Example : V102-HS-MF-04N-P-14N-XL

APPLICABLE ACCESSORIES

A503 Drain plug
A505 Bleeder
A507 Ring for flanged seal
A508 Sealing gasket

NOTES:

- Other connections are available, please contact factory for details.
- Valve stem dust covers shall be identified with color codes according to their function as ; Blue = ISOLATE

FEATURES

- Back seating to prevent stem blow-out

APPLICATION

- Isolation & Venting of gauges, switches & other instruments
- Liquid & gas services

Multi-port

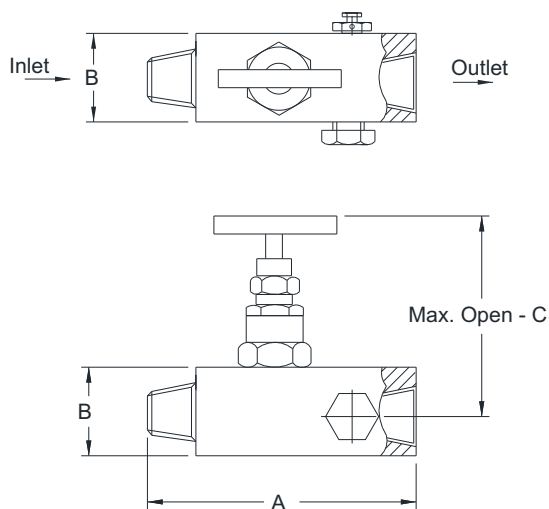


STANDARD SPECIFICATIONS

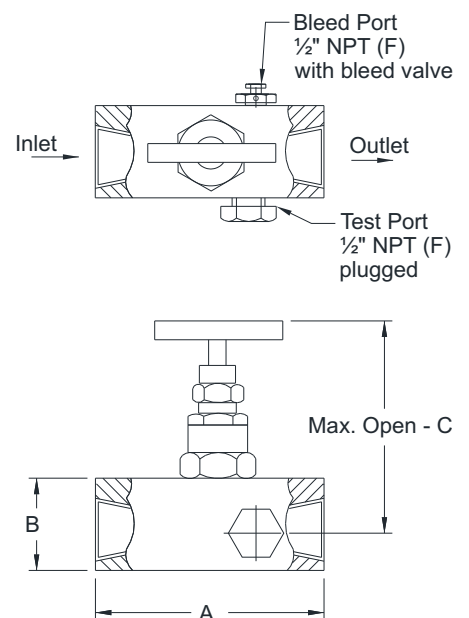
Stem type	: Hard seated stem
Wetted parts	: AISI 316 SS
Instrument connection	: 1/2" NPT (F) / 1/2" BSP (F)
Stem packing	: PTFE
Process connection	: 1/2" NPT (M) / 1/2" BSP (M)
Stem	: Conical metal tip
Max. working pressure	: 413.7 bar (6000 psi)
Max. working temperature	: 240°C
"T" bar handle	: AISI 304 SS
Test connection	: 1/2" NPT (F) / 1/2" BSP (F)
Bleed connection	: 1/2" NPT (F), plugged

DIMENSIONAL DRAWING

MALE X FEMALE



FEMALE X FEMALE

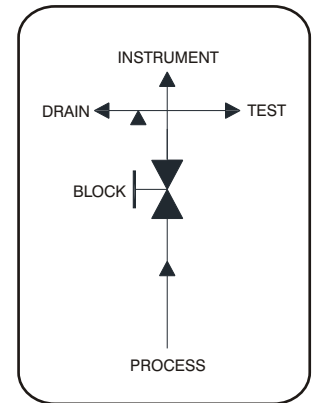


DIMENSIONAL DRAWING

Connections		A	B	Max. open - C Stem Type	
Size	Type			HS	SS
NPT	F x F	74	25	65	64.5
	1/4" M x F	84	25	65	64.5
NPT	F x F	74	25	65	64.5
	3/8" M x F	84	25	65	64.5
NPT	F x F	102	32	86.6	94
	1/2" M x F	115	32	86.6	94
NPT	F x F	102	38	86.6	97
	3/4" M x F	115	38	86.6	97

All dimensions are in mm

FLOW DIAGRAM



ORDERING CODES

1. STEM TYPE

HS	Hard seated stem (Metal)	HS
SS	Soft seated stem (Derlin)	

2. WETTED PARTS

MB	Carbon Steel / ASTM A105	MF
MC	AISI 304 SS	
MF	AISI 316 SS	
MG	AISI 316L SS	
MM	Monel 400	
MN	Monel K-500	
MO	Hastelloy C-276	

4. INSTRUMENT / TEST CONNECTION

11N	1/8" NPT (M)	12N	1/4" NPT (M)	04N
13N	3/8" NPT (M)	14N	1/2" NPT (M)	
11B	1/8" BSP (M)	12B	1/4" BSP (M)	
13B	3/8" BSP (M)	14B	1/2" BSP (M)	
01N	1/8" NPT (F)	02N	1/4" NPT (F)	
03N	3/8" NPT (F)	04N	1/2" NPT (F)	
01B	1/8" BSP (F)	02B	1/4" BSP (F)	
03B	3/8" BSP (F)	04B	1/2" BSP (F)	
1SW	1/8" Socket-Weld			
2SW	1/4" Socket-Weld			
4SW	1/2" Socket-Weld			
5SW	3/4" Socket-Weld			

5. STEM PACKING

P	PTFE	P
G	Grafoil	

6. PROCESS CONNECTION

11N	1/8" NPT (M)	12N	1/4" NPT (M)	14N
13N	3/8" NPT (M)	14N	1/2" NPT (M)	
11B	1/8" BSP (M)	12B	1/4" BSP (M)	
13B	3/8" BSP (M)	14B	1/2" BSP (M)	
01N	1/8" NPT (F)	02N	1/4" NPT (F)	
03N	3/8" NPT (F)	04N	1/2" NPT (F)	
01B	1/8" BSP (F)	02B	1/4" BSP (F)	
03B	3/8" BSP (F)	04B	1/2" BSP (F)	
1SW	1/8" Socket-Weld			
2SW	1/4" Socket-Weld			
4SW	1/2" Socket-Weld			
5SW	3/4" Socket-Weld			

7. OTHER OPTIONS

XY	Circular Handle	XL
TN	Tested to NACE standards	
TO	Certification for Oxygen service	
TM	Material test certificate 2.2	
TH	Hydro test certificate	
TC	Material test certificate 3.1	
XL	Marking by laser	

Ordering Example : V103-HS-MF-04N-P-14N-XL

APPLICABLE ACCESSORIES

A503	Drain plug
A505	Bleeder
A507	Ring for flanged seal
A508	Sealing gasket

NOTES:

- Other connections are available, please contact factory for details.
- Valve stem dust covers shall be identified with color codes according to their function as ; Blue = ISOLATE

FEATURES

- Back seating to prevent stem blow-out

APPLICATION

- Isolation & Venting of gauges, switches & other instruments
- Liquid & gas services

Miniature

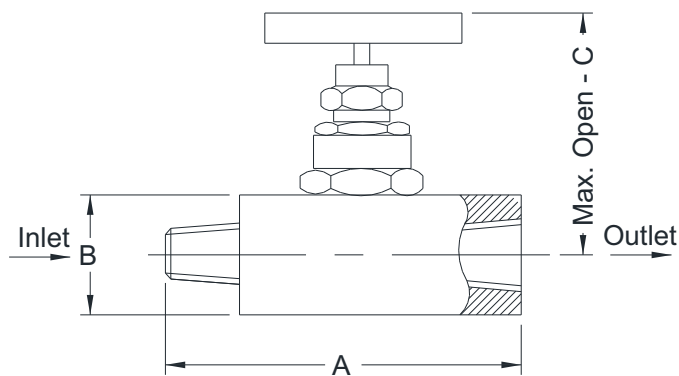


STANDARD SPECIFICATIONS

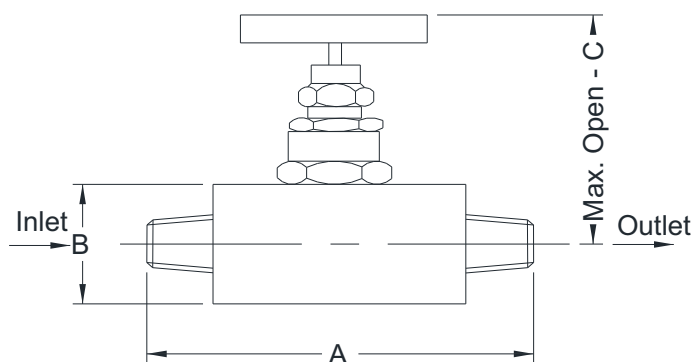
Stem type	: Miniature tip stem
Wetted parts	: AISI 316 SS
Instrument connection	: 1/2" NPT (F) / 1/2" BSP (F)
Stem packing	: PTFE
Process connection	: 1/2" NPT (F) / 1/2" BSP (F)
Stem	: Double bonnet
Max. working pressure	: 206.85 bar (3000 psi)
Max. working temperature	: 240°C
"T" bar handle	: AISI 304 SS

DIMENSIONAL DRAWING

MALE X FEMALE

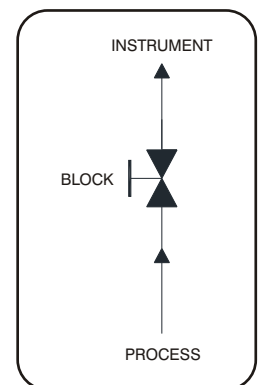


MALE X MALE

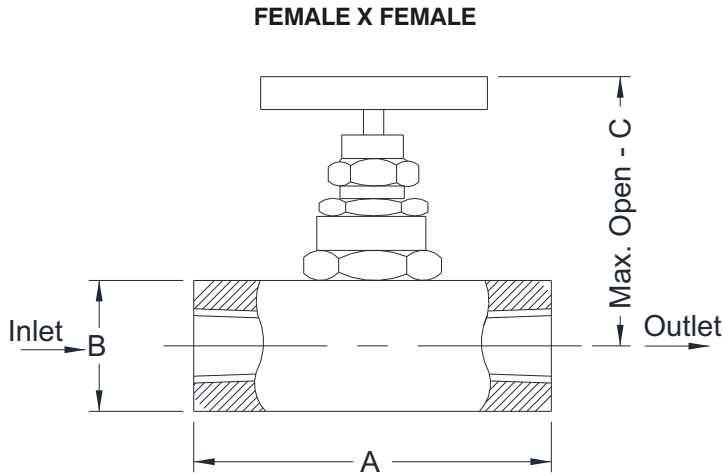


All dimensions are in mm

FLOW DIAGRAM



DIMENSIONAL DRAWING



Size	Type	A	B	Max. open - C
NPT 1/8"	F x F	50	22	56
	M x F	56	22	56
	M x M	60	22	56
NPT 1/4"	F x F	55	22	56
	M x F	50	22	56
	M x M	60	22	56
NPT 3/8"	F x F	55	25	56
	M x F	55	25	56
	M x M	55	25	56
NPT 1/2"	F x F	60	28	50
	M x F	65	28	50
	M x M	50	28	50

All dimensions are in mm

ORDERING CODES

1. STEM TYPE

YS Miniature tip stem

YS

2. WETTED PARTS

MB Carbon Steel / ASTM A105
MC AISI 304 SS
MF AISI 316 SS
MG AISI 316L SS

MF

3. INSTRUMENT CONNECTION

11N 1/8" NPT (M)	12N 1/4" NPT (M)
13N 3/8" NPT (M)	14N 1/2" NPT (M)
11B 1/8" BSP (M)	12B 1/4" BSP (M)
13B 3/8" BSP (M)	14B 1/2" BSP (M)
01N 1/8" NPT (F)	02N 1/4" NPT (F)
03N 3/8" NPT (F)	04N 1/2" NPT (F)
01B 1/8" BSP (F)	02B 1/4" BSP (F)
03B 3/8" BSP (F)	04B 1/2" BSP (F)

04N

4. STEM PACKING

P PTFE **G** Grafoil

P

5. PROCESS CONNECTION

11N 1/8" NPT (M)	12N 1/4" NPT (M)
13N 3/8" NPT (M)	14N 1/2" NPT (M)
11B 1/8" BSP (M)	12B 1/4" BSP (M)
13B 3/8" BSP (M)	14B 1/2" BSP (M)
01N 1/8" NPT (F)	02N 1/4" NPT (F)
03N 3/8" NPT (F)	04N 1/2" NPT (F)
01B 1/8" BSP (F)	02B 1/4" BSP (F)
03B 3/8" BSP (F)	04B 1/2" BSP (F)

04N

6. OTHER OPTIONS

XY Circular Handle
TN Tested to NACE standards
TO Certification for Oxygen service
TM Material test certificate 2.2
TH Hydro test certificate
TC Material test certificate 3.1
XL Marking by laser

XL

Ordering Example : V104-YS-MF-04N-P-04N-XL

NOTES:

- Other connections are available, please contact factory for details.
- Valve stem dust covers shall be identified with color codes according to their function as ; Blue = ISOLATE

FEATURES

- Back seating to prevent stem blow-out

APPLICATION

- Isolation & Venting of gauges, switches & other instruments
- Liquid & gas services

Economical

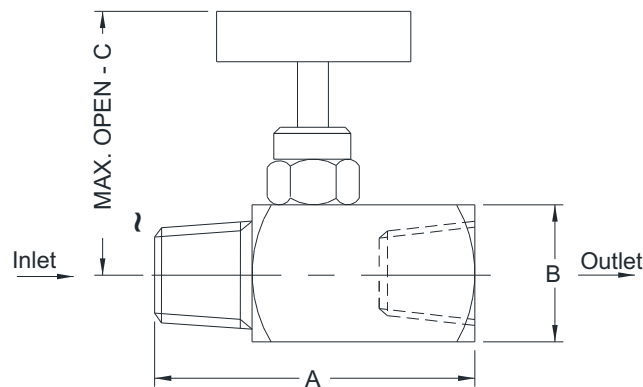


STANDARD SPECIFICATIONS

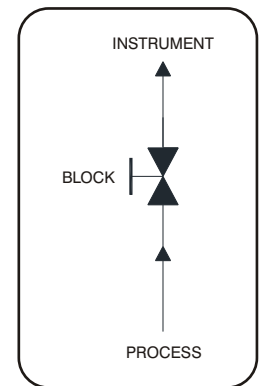
Stem type	: Standard stem
Wetted parts	: AISI 316 SS
Instrument connection	: 1/4" NPT (F) / 1/4" BSP (F)
Stem packing	: Viton
Process connection	: 1/4" NPT (F) / 1/4" BSP (F)
Stem	: Single bonnet
Max. working pressure	: 103.425 bar (1500 psi)
Max. working temperature	: 120°C
"T" bar handle	: AISI 304 SS

DIMENSIONAL DRAWING

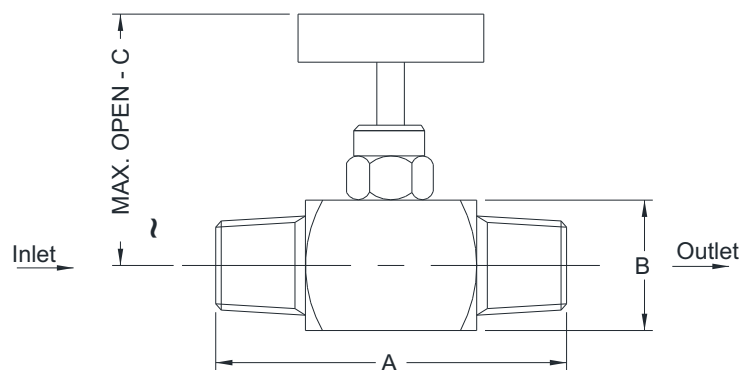
MALE X FEMALE



FLOW DIAGRAM

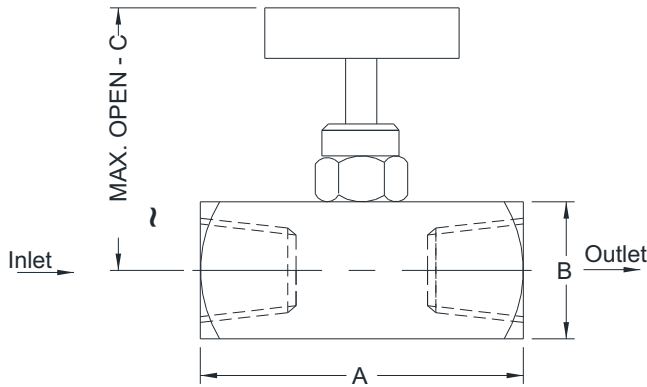


MALE X MALE



DIMENSIONAL DRAWING

FEMALE X FEMALE



Size	Type	A	B	Max. open - C
NPT 1/8"	F x F	45	19	44
	M x F	45	19	44
	M x M	45	19	44
NPT 1/4"	F x F	45	19	44
	M x F	45	19	44
	M x M	45	19	44
NPT 3/8"	F x F	55	22	56
	M x F	55	22	56
	M x M	55	22	56
NPT 1/2"	F x F	50	25	50
	M x F	50	25	50
	M x M	50	25	50

All dimensions are in mm

ORDERING CODES

1. STEM TYPE

ST Standard stem

ST

2. WETTED PARTS

MB Carbon Steel / ASTM A105
MC AISI 304 SS
MF AISI 316 SS
MG AISI 316L SS

MF

3. INSTRUMENT CONNECTION

11N 1/8" NPT (M)	12N 1/4" NPT (M)
13N 3/8" NPT (M)	14N 1/2" NPT (M)
11B 1/8" BSP (M)	12B 1/4" BSP (M)
13B 3/8" BSP (M)	14B 1/2" BSP (M)
01N 1/8" NPT (F)	02N 1/4" NPT (F)
03N 3/8" NPT (F)	04N 1/2" NPT (F)
01B 1/8" BSP (F)	02B 1/4" BSP (F)
03B 3/8" BSP (F)	04B 1/2" BSP (F)

04N

4. STEM PACKING

P PTFE **G** Grafoil
V Viton

V

5. PROCESS CONNECTION

11N 1/8" NPT (M)	12N 1/4" NPT (M)
13N 3/8" NPT (M)	14N 1/2" NPT (M)
11B 1/8" BSP (M)	12B 1/4" BSP (M)
13B 3/8" BSP (M)	14B 1/2" BSP (M)
01N 1/8" NPT (F)	02N 1/4" NPT (F)
03N 3/8" NPT (F)	04N 1/2" NPT (F)
01B 1/8" BSP (F)	02B 1/4" BSP (F)
03B 3/8" BSP (F)	04B 1/2" BSP (F)

04N

6. OTHER OPTIONS

XY Circular Handle
TN Tested to NACE standards
TO Certification for Oxygen service
TM Material test certificate 2.2
TH Hydro test certificate
TC Material test certificate 3.1
XL Marking by laser

XL

Ordering Example : V105-ST-MF-04N-V-04N-XL

NOTES:

- Other connections are available, please contact factory for details.
- Valve stem dust covers shall be identified with color codes according to their function as ; Blue = ISOLATE

FEATURES

- Economical version
- Leak point reduction

APPLICATION

- Instrument isolation
- Liquid & gas services

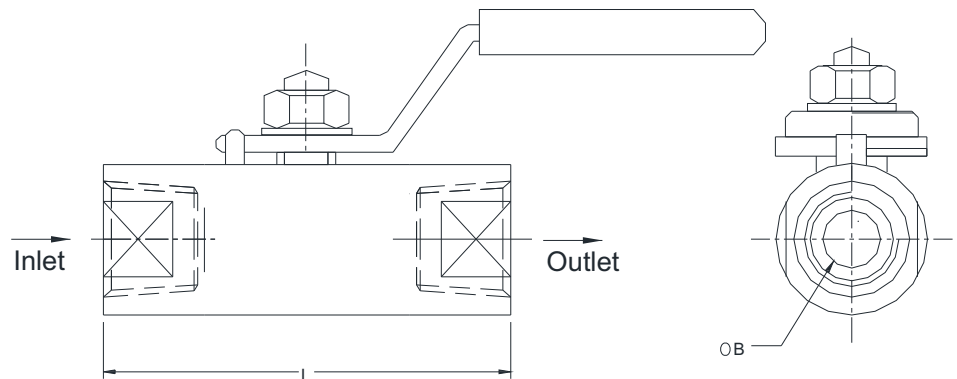
Bolted Ball



STANDARD SPECIFICATIONS

Stem type	: Bolted ball
Wetted parts	: AISI 316 SS
Instrument connection	: 1/2" NPT (F) / 1/2" BSP (F)
Seats & Seals	: PTFE
Process connection	: 1/2" NPT (F) / 1/2" BSP (F)
Stem	: Single bonnet
Max. working pressure	: 206.85 bar (3000 psi)
Max. working temperature	: 240°C
Handle	: CS plated with PVC sleeves

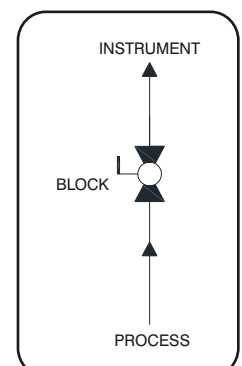
DIMENSIONAL DRAWING



Inlet & Outlet Connections	Max. Pressure Capacity			
	6000 PSI		10000 PSI	
	L	ØB	L	ØB
1/4" (F x F)	58	6.4	65	6.4
3/8" (F x F)	60	8.5	68	8.5
1/2" (F x F)	75	11.5	80	11.5
3/4" (F x F)	80	19	85	19
1" (F x F)	87	25	95	25
1 1/4" (F x F)	112	32	125	32
1 1/2" (F x F)	120	38	135	38
2" (F x F)	130	50	150	50

All dimensions are in mm

FLOW DIAGRAM



ORDERING CODES

1. STEM TYPE

BB Bolted ball

BB

2. WETTED PARTS

MB Carbon Steel / ASTM A105
MC AISI 304 SS
MF AISI 316 SS
MG AISI 316L SS
MM Monel 400
MN Monel K-500
MO Hastelloy C-276

MF

4. INSTRUMENT CONNECTION

11N 1/8" NPT (M)
12N 1/4" NPT (M)
13N 3/8" NPT (M)
14N 1/2" NPT (M)
11B 1/8" BSP (M)
12B 1/4" BSP (M)
13B 3/8" BSP (M)
14B 1/2" BSP (M)
01N 1/8" NPT (F)
02N 1/4" NPT (F)
03N 3/8" NPT (F)
04N 1/2" NPT (F)
01B 1/8" BSP (F)
02B 1/4" BSP (F)
03B 3/8" BSP (F)
04B 1/2" BSP (F)

04N

5. STEM PACKING

P PTFE
G Grafoil

P

6. PROCESS CONNECTION

11N 1/8" NPT (M)
12N 1/4" NPT (M)
13N 3/8" NPT (M)
14N 1/2" NPT (M)
11B 1/8" BSP (M)
12B 1/4" BSP (M)
13B 3/8" BSP (M)
14B 1/2" BSP (M)
01N 1/8" NPT (F)
02N 1/4" NPT (F)
03N 3/8" NPT (F)
04N 1/2" NPT (F)
01B 1/8" BSP (F)
02B 1/4" BSP (F)
03B 3/8" BSP (F)
04B 1/2" BSP (F)

04N

7. OTHER OPTIONS

TN Tested to NACE standards
TO Certification for Oxygen service
TM Material test certificate 2.2
TH Hydro test certificate
TC Material test certificate 3.1
XL Marking by laser

XL

Ordering Example : V201-BB-MF-04N-P-04N-XL

NOTES:

- Other connections are available, please contact factory for details.
- Valve stem dust covers shall be identified with color codes according to their function as ; Blue = ISOLATE

FEATURES

- Economical version
- Leak point reduction

APPLICATION

- Instrument isolation
- Liquid & gas services

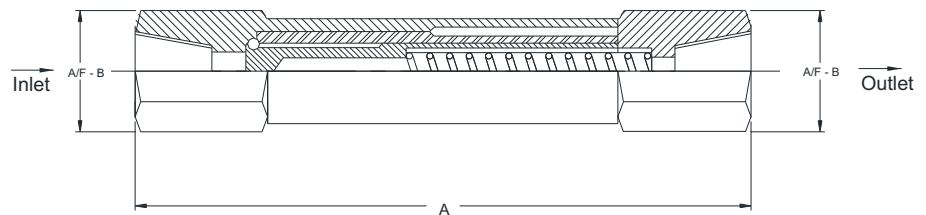
Non Return Valve



STANDARD SPECIFICATIONS

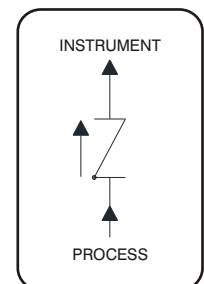
Type	: Poppet & Spring
Wetted parts	: AISI 316 SS
Instrument connection	: 1/2" NPT (F) / 1/2" BSP (F)
"O" rings	: Viton
Process connection	: 1/2" NPT (F) / 1/2" BSP (F)
Max. working pressure	: 103.42 bar (1500 psi)
Max. working temperature	: 240°C

DIMENSIONAL DRAWING



Inlet / Outlet Size	A	A/F - B
1/4" (F x F)	62	19
3/8" (F x F)	72	22
1/2" (F x F)	78	27
3/4" (F x F)	86	32
1" (F x F)	100	36
1 1/4" (F x F)	110	50
1 1/2" (F x F)	120	56
2" (F x F)	130	62

FLOW DIAGRAM



All dimensions are in mm

ORDERING CODES

1. STEM TYPE

PS Poppet & Spring

PS

2. WETTED PARTS

MC AISI 304 SS

MF AISI 316 SS

MG AISI 316L SS

MF

3. INSTRUMENT CONNECTION

01N 1/8" NPT (F)

02N 1/4" NPT (F)

03N 3/8" NPT (F)

04N 1/2" NPT (F)

01B 1/8" BSP (F)

02B 1/4" BSP (F)

03B 3/8" BSP (F)

04B 1/2" BSP (F)

04N

4. STEM PACKING

P PTFE

G Grafoil

V Viton

V

5. PROCESS CONNECTION

01N 1/8" NPT (F)

02N 1/4" NPT (F)

03N 3/8" NPT (F)

04N 1/2" NPT (F)

01B 1/8" BSP (F)

02B 1/4" BSP (F)

03B 3/8" BSP (F)

04B 1/2" BSP (F)

04N

6. OTHER OPTIONS

TO Certification for Oxygen service

TM Material test certificate 2.2

TH Hydro test certificate

TC Material test certificate 3.1

XL Marking by laser

XL

Ordering Example : V202-PS-MF-04N-V-04N-XL

NOTES:

1. Other connections are available, please contact factory for details.

FEATURES

- Back seating to prevent stem blow-out
- Tube end connections

APPLICATION

- High pressure line shut off
- Instrument isolation
- Liquid & gas services

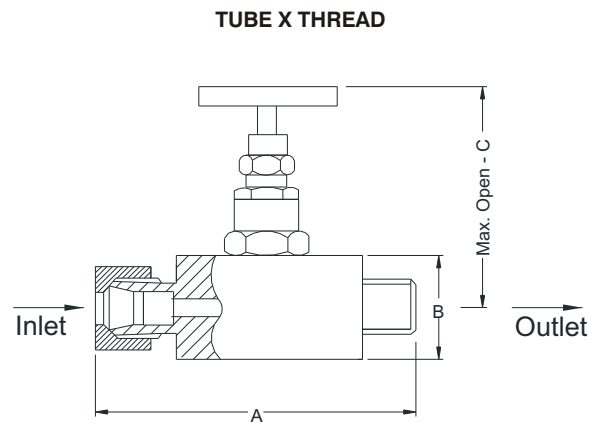
Compression Fitting End



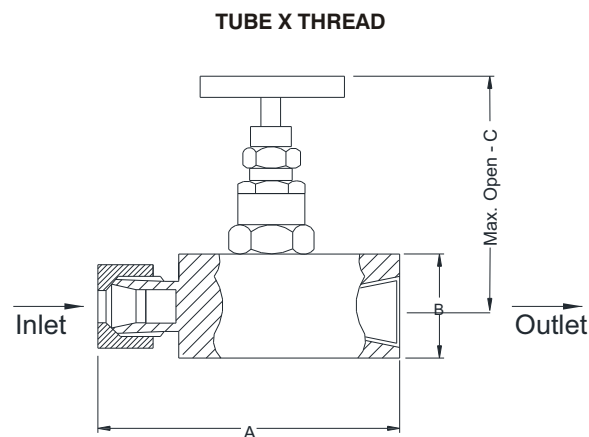
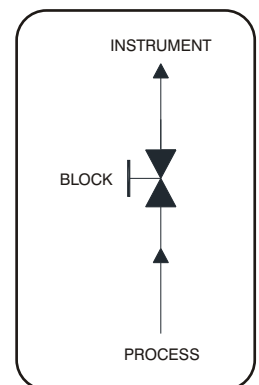
STANDARD SPECIFICATIONS

Stem type	: Hard seated stem
Wetted parts	: AISI 316 SS
Instrument connection	: 6 mm compression fitting
Stem packing	: PTFE
Process connection	: 6 mm compression fitting
Stem	: Conical metal tip
Max. working pressure	: 413.7 bar (6000 psi)
Max. working temperature	: 240°C
"T" bar handle	: AISI 304 SS

DIMENSIONAL DRAWING

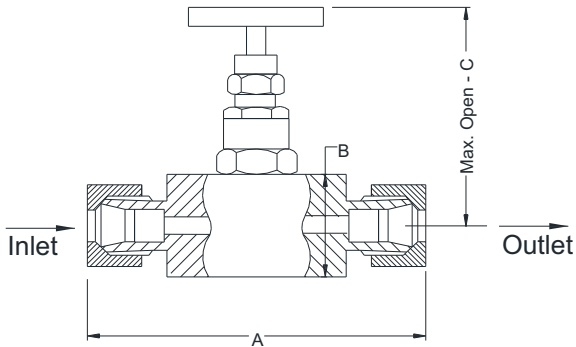


FLOW DIAGRAM



DIMENSIONAL DRAWING

TUBE X TUBE



All dimensions are in mm

Connections	Length A	Width B	Max. open - C Stem Type		
			HS	SS	RP
6M x 6M	65	25	63	64.5	63.5
8M x 8M	65	25	63	64.5	63.5
10M x 10M	65	25	63	64.5	63.5
12M x 12M	65	32	83.6	94	93.5
1/4" OD x 1/4" NPT (F)	65	25	63	64.5	63.5
3/8" OD x 3/8" NPT (F)	65	25	63	64.5	63.5
1/2" OD x 1/2" NPT (F)	65	32	83.6	94	93.5
1/4" OD OR 6M x 1/4" NPT (M)	65	25	63	64.5	63.5
8M x 1/4" NPT (M)	65	25	63	64.5	63.5
3/8" OD or 10M x 3/8" NPT (M)	65	25	63	64.5	63.5
1/2" OD or 12M x 1/2" NPT (M)	72	32	83.6	94	93.5

ORDERING CODES

1. STEM TYPE

- HS** Hard seated stem (Metal)
- SS** Soft seated stem (Derlin)
- RP** Rising plug stem (Derlin)

HS

2. WETTED PARTS

- MB** Carbon Steel / ASTM A105
- MC** AISI 304 SS
- MF** AISI 316 SS
- MG** AISI 316L SS
- MM** Monel 400
- MN** Monel K-500
- MO** Hastelloy C-276

MF

3. INSTRUMENT CONNECTION

- M6** 6 mm compression fitting
- M8** 8 mm compression fitting
- M1** 10 mm compression fitting
- M2** 12 mm compression fitting
- T2** 1/4" compression fitting
- T3** 3/8" compression fitting
- T4** 1/2" compression fitting
- 12N** 1/4" NPT (M)
- 14N** 1/2" NPT (M)
- 12B** 1/4" BSP (M)
- 13B** 3/8" BSP (M)
- 14B** 1/2" BSP (M)
- 02N** 1/4" NPT (F)
- 04N** 1/2" NPT (F)
- 02B** 1/4" BSP (F)
- 04B** 1/2" BSP (F)

M6

4. STEM PACKING

- P** PTFE
- G** Grafoil

P

5. PROCESS CONNECTION

- M6** 6 mm compression fitting
- M8** 8 mm compression fitting
- M1** 10 mm compression fitting
- M2** 12 mm compression fitting
- T2** 1/4" compression fitting
- T3** 3/8" compression fitting
- T4** 1/2" compression fitting
- 12N** 1/4" NPT (M)
- 14N** 1/2" NPT (M)
- 12B** 1/4" BSP (M)
- 13B** 3/8" BSP (M)
- 14B** 1/2" BSP (M)
- 02N** 1/4" NPT (F)
- 04N** 1/2" NPT (F)
- 02B** 1/4" BSP (F)
- 04B** 1/2" BSP (F)

M6

6. OTHER OPTIONS

- XY** Circular Handle
- TN** Tested to NACE standards
- TO** Certification for Oxygen service
- TM** Material test certificate 2.2
- TH** Hydro test certificate
- TC** Material test certificate 3.1
- XL** Marking by laser

XL

Ordering Example : V203-HS-MF-M6-P-M6-XL

NOTES:

1. Other connections are available, please contact factory for details.
2. Valve stem dust covers shall be identified with color codes according to their function as ; Blue = ISOLATE