

FEATURES

- Fix / adjustable differential
- Field adjustable set point
- Flameproof to Gas groups
- Internal set point lock
- Rigid construction
- Scale provided

APPLICATION

- Marine applications
- Textile machineries
- Power & steel plants
- Furnace applications
- Oil & Gas, Refineries
- Petro-chemicals & Fertilizers
- Cement & Glass industries
- Railway engines & Turbines

HP / LP port



STANDARD SPECIFICATIONS

Repeatability	:	± 0.5 % F.S
Scale accuracy	:	± 1% F.S
Measurement unit	:	bar
Range	:	Refer "Range Table"
Range adjustment	:	External
Differential	:	Fixed (Standard), Adjustable (Optional)
Mounting	:	Bottom / Panel
Enclosure material	:	Aluminum pressure die cast
Equipment rating	:	Ex d IIC T6 Gb (-10°C ≤ Ta ≤ +60°C) Zone 0, 1 & 2 as per IS/IEC 60079-1 : 2007
Ingress protection	:	IP 67
Sensing elements	:	SS 316 Diaphragm
Switch	:	1 SPDT Snap action micro switch
Switch rating	:	15A,250 VAC / 0.2A,24 VDC (Standard)
Process connection	:	¼" NPT (F) x 2 Nos.
Maximum process temperature	:	150 °C
Ambient temperature	:	-10...60 °C
Cable entry	:	½" NPT Flameproof Double compression, in brass
Set point	:	Between 20 to 80 % F.S for better performance
High voltage strength	:	0.5 to 0.6 KV between open contacts and 2 K V between contact and body

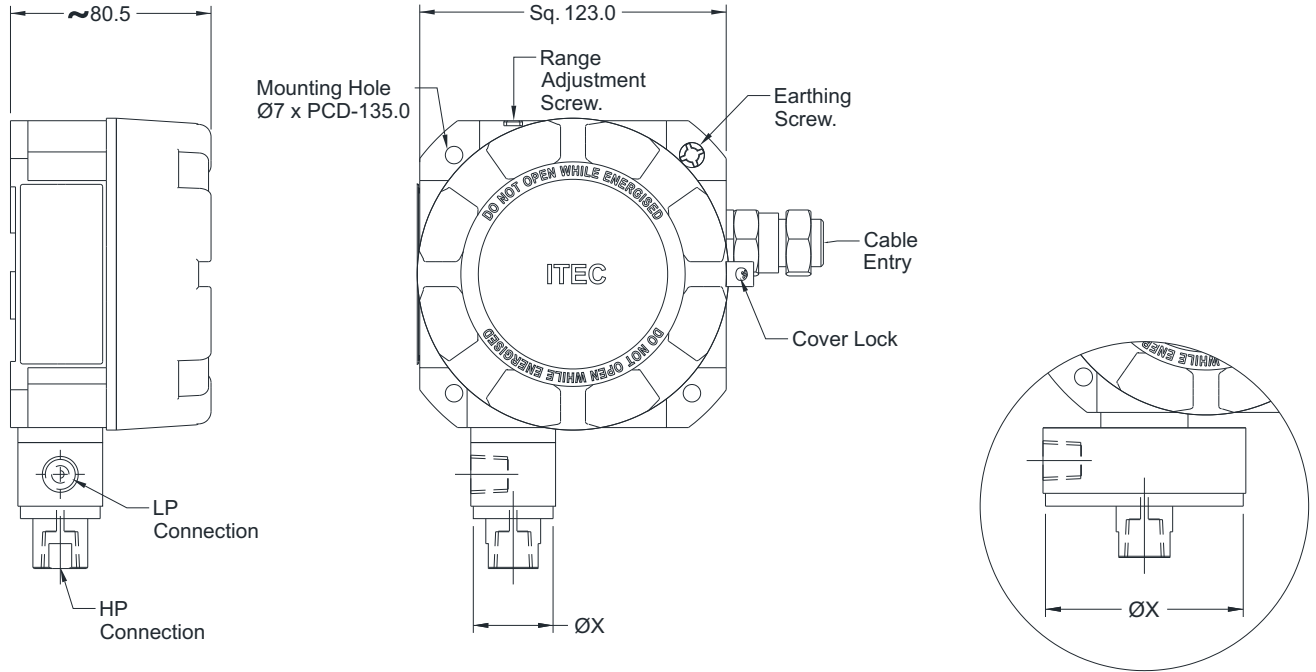
RANGE TABLE

CODE	RANGE "mbar"	CODE	RANGE "bar"
D17	5...60	B02	0.1...1
D19	10...100	B04	0.2...2
D24	25...250	B06	0...4
D29	50...600	B07	0.6...6
		B09	1...10
		B11	1...16
		B13	2...25

APPROVALS



DIMENSIONAL DRAWING



All dimensions are in mm

Chamber Size	
Range	$\varnothing X$
5 mbar to 600 mbar	80 mm
1 bar to 25 bar	45 mm

MICROSWITCH SPECIFICATION

DESCRIPTION	RATING		DIFFERENTIAL	TYPE	SWITCH CODE	
	AC	DC			1 No.	2 Nos.
Low deadband / differential	15A/250V, 2A/24V 0.2A/220V	15A/250V, 2A/24V 0.2A/220V	Fix	SPDT	M10	M20
High dead band / differential	15A/250V, 6A/24V 0.25A/220V	15A/250V, 5A/24V 0.03A/220V	Adjustable	SPDT	M11	-
Gold plated switch	1A/250V	0.5A/28V	Fix	SPDT	M13	M23
Environmentally sealed silver contact	5A/28V	-	Fix	SPDT	M14	M24
Hermetically sealed silver contact	3A/28V	2A/24V	Fix	SPDT	M16	-
Hermetically sealed gold contact	1A/125V	-	Fix	SPDT	M17	-
DPDT	10A/125V, 0.2A/250V	-	Fix	DPDT	M08	-

ORDERING CODES

1. RANGE

Refer "Range Table"

B02

2. CHAMBER MATERIAL

NF AISI 316 SS
NN Monel K-500
NO Hastelloy C-276

NF

3. SENSING ELEMENT MATERIAL

DF AISI 316 SS
DN Monel K-500⁴
DO Hastelloy C-276⁴
D2 PTFE (Teflon)

DF

4. SWITCHING DIFFERENTIAL

S4 Fixed
S5 Adjustable

S4

5. SET POINT

S8 On Raising
S9 On Falling

S8

6. MICROSWITCH TYPE

Refer table "Microswitch Specification"

M10

7. CABLE ENTRY

C1 1/2" NPT (F)

C1

8. PROCESS CONNECTION

02B 1/4" BSP (F)
12B 1/4" BSP (M)
13B 3/8" BSP (M)
14B 1/2" BSP (M)
12N 1/4" NPT (M)
14N 1/2" NPT (M)
04N 1/2" NPT (F)
A25 1.5" RF 150#
A26 1.5" RF 300#
A27 1.5" RF 600#
A31 2" RF 150#
A32 2" RF 300#
A33 2" RF 600#

HP & LP connections are through adaptors.

HP side through adaptors & LP side through capillary adaptors.

02N

9. OTHER OPTIONS

TB Calibration Certificate
XF AISI 304 SS tag plate
XV Wall mounting bracket
XS Mounting bracket with 2" U-clamp
TC Material test certificate 3.1
KK Cable gland, double compression flameproof, Ni-plated brass
KL Cable gland, double compression flameproof, AISI 304 SS

KK

Ordering Example : S302-B02-NF-DF-S4-S8-M10-C1-02B-KK

COMPATIBLE ACCESSORIES

Diaphragm seal	Gauge cock	Needle Valves
Cooling tower	Snubber	Manifolds
Siphon		

NOTES:

- The option "TC" covers only wetted parts.
- Cable gland is available in other materials, contact factory.
- Double Compression cable gland is a necessary option. Must to be chosen while ordering.
- Supplied with diaphragm seal.