

## FEATURES

- Compact & Economical
- Field adjustable set point
- Scale provided
- Auto Reset

## APPLICATION

- Compressors
- Textile machines
- Chillers & Air dryers
- Fire fighting systems
- Water treatment plants
- Refrigeration applications

### General Purpose



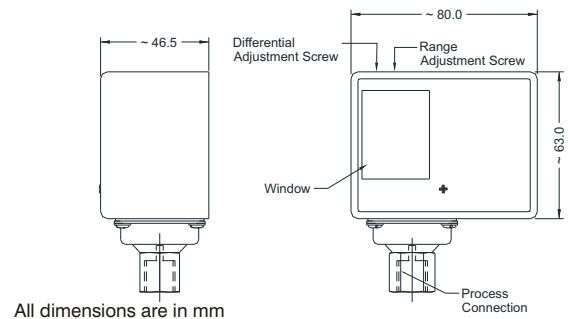
### STANDARD SPECIFICATIONS

Repeatability	:	± 2% F.S
Scale Accuracy	:	± 3 % F.S
Measurement unit	:	bar / psi
Range	:	Refer "Range Table"
Differential	:	Adjustable, external
Mounting	:	Bottom / Panel
Enclosure Material	:	Steel (plated) with Plastic cover
Sensing Elements	:	Phosphor Bronze Bellow
Switch	:	1 SPDT
Switch Rating	:	15A,220 VAC / 10A,24 VDC
Process Connection	:	1/4" BSP (F)
Maximum Process Temperature	:	100 °C
Ambient Temperature	:	-10...60 °C
Mounting Accessories	:	Mounting bracket with Screws
Set point	:	External, field adjustable

### RANGE TABLE

CODE	Range "bar"	Differential "bar"
N47	-0.5...3	0.25...1.5
N07	-0.5...6	0.6...3
N09	0...10	1...3
N11	3...16	1...4
N12	5...20	2...5
N14	5...30	5...12

### DIMENSIONAL DRAWING



### ORDERING CODES

#### 1. RANGE

Refer "Range Table"

#### 2. CONNECTION<sup>1</sup>

<b>12B</b>	1/4" BSP (M)
<b>14B</b>	1/2" BSP (M)
<b>13N</b>	3/8" NPT (M)

<b>13B</b>	3/8" BSP (M)
<b>12N</b>	1/4" NPT (M)
<b>14N</b>	1/2" NPT (M)

#### 3. OTHER OPTIONS

<b>TB</b>	Calibration Certificate	<b>XF</b>	AISI 304 SS tag plate
-----------	-------------------------	-----------	-----------------------

**B09**

**02B**

**XX**

## APPROVALS



### Ordering Example : S101-N09-02B

#### NOTES:

1. Connections are through adaptors.
2. The cover color shall be Blue or White depending upon availability.
3. The ranges mentioned here are standard and available in these ranges only.

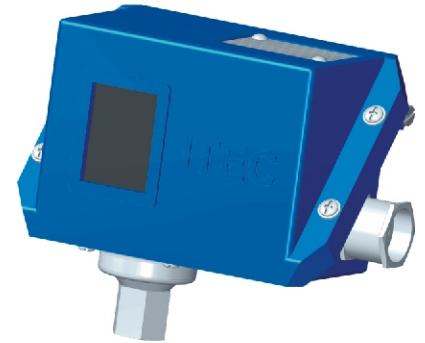
## FEATURES

- Field adjustable set point
- Adjustable differential
- Weatherproof to IP67
- Scale provided

## APPLICATION

- Textile machines
- Railways & Turbines
- Fire fighting systems
- Lubrication industries
- Water treatment plants
- Compressors & Boilers

### Adjustable Differential



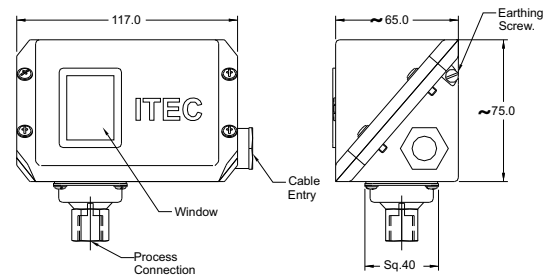
### STANDARD SPECIFICATIONS

Repeatability	: $\pm 2\%$ F.S
Scale accuracy	: $\pm 3\%$ F.S
Measurement unit	: bar / psi
Range	: Refer "Range Table"
Differential	: Adjustable, internal
Mounting	: Bottom/ Panel
Enclosure material	: Aluminum pressure die cast
Sensing elements	: Phosphor Bronze / SS Bellow
Switch	: 1 SPDT
Switch rating	: 15A,220 VAC / 10A,24 VDC
Process connection	: 1/4" BSP(F)
Maximum process temperature	: 100 °C
Ambient temperature	: -10...60 °C
Cable entry	: 3/4" ET (F)
Set point	: Internal, field adjustable

### RANGE TABLE

CODE	Range "bar"	Differential "bar"
N47	-0.5...3	0.25...1.5
N07	-0.5...6	0.6...3
N09	0...10	1...3
N11	3...16	1...4
N12	5...20	2...5
N14	5...30	5...12

### DIMENSIONAL DRAWING



All dimensions are in mm

### ORDERING CODES

#### 1. RANGE

Refer "Range Table"

#### 2. CONNECTION<sup>1</sup>

12B	1/4" BSP (M)	13B	3/8" BSP (M)
14B	1/2" BSP (M)	12N	1/4" NPT (M)
13N	3/8" NPT (M)	14N	1/2" NPT (M)

#### 3. OTHER OPTIONS

TB	Calibration Certificate	XF	AISI 304 SS tag plate
XV	Wall mounting bracket	XW	SS bellow systems

B09

02B

XX

## Ordering Example : S102-N09-02B

#### NOTES:

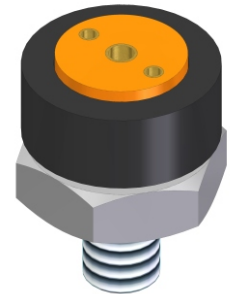
1. Connections are through adaptors.
2. The ranges mentioned here are standard and available in these ranges only.

**FEATURES**

- Field adjustable set point
- Compact design
- Fixed differential
- 1 SPST contact

**APPLICATION**

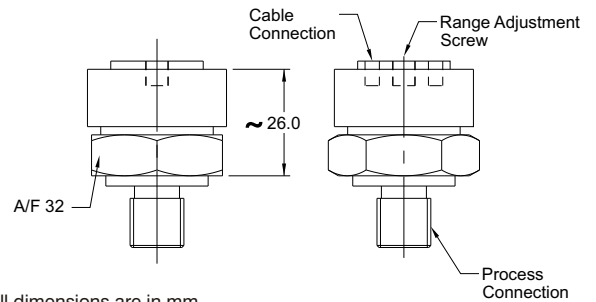
- Earth movers
- OEM industries
- Lubrication industries
- Hydraulic equipments
- Pneumatic machineries
- Automobile applications

**OEM Industry Applications****STANDARD SPECIFICATIONS**

Repeatability	: ± 2% F.S
Measurement unit	: bar
Range	: Refer "Range Table"
Differential	: Fixed
Mounting	: Direct
Sensing elements	: Diaphragm, Rubber
Switch	: 1 SPST (1 Normally Open contact - 1NO)
Electrical Supply	: 5A,220 VAC / 10A,24 VDC
Process connection	: 1/4"BSP(M), AISI 304 SS
Ambient temperature	: -10...60 °C
Service temperature	: 80°C max.
Set point	: External, Field adjustable

**RANGE TABLE**

CODE	Range "bar"
B09	1...10
B13	2...25
B16	4...40
B17	5...60

**DIMENSIONAL DRAWING**

All dimensions are in mm

**ORDERING CODES****1. RANGE**

Refer "Range Table"

**2. CONNECTION**

<b>12B</b>	1/4" BSP (M)	<b>13B</b>	3/8" BSP (M)
<b>14B</b>	1/2" BSP (M)	<b>12N</b>	1/4" NPT (M)
<b>13N</b>	3/8" NPT (M)	<b>14N</b>	1/2" NPT (M)

**3. OTHER OPTIONS**

<b>TB</b>	Calibration Certificate	<b>XF</b>	AISI 304 SS tag plate
<b>MA</b>	Connection in Brass / Cu-alloy	<b>MF</b>	Connection in AISI 316 SS

**B09****12B****XX****Ordering Example : S101-B09-12B****NOTES:**

1. Other connections are available through adaptors.

## FEATURES

- 1 SPDT contact
- Weatherproof to IP 67
- Field adjustable set point
- High Accuracy / Repeatability

## APPLICATION

- Earth movers
- OEM industries
- Lubrication industries
- Hydraulic equipments
- Pneumatic machineries
- Automobile applications

### OEM Industry Applications



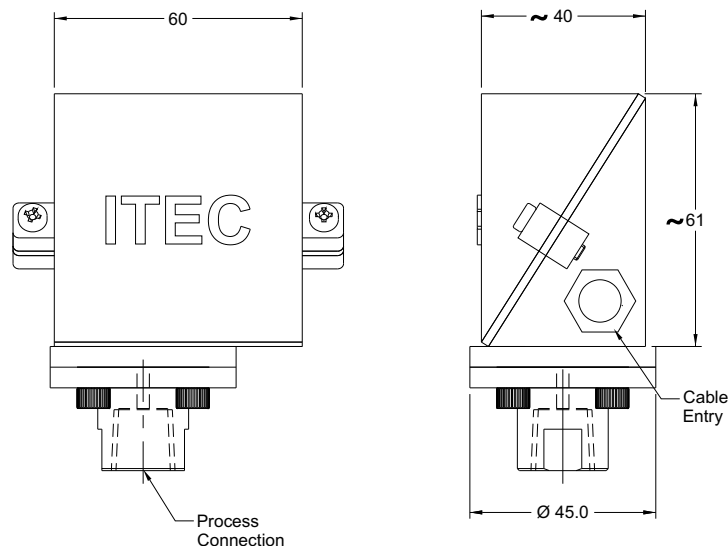
### STANDARD SPECIFICATIONS

Repeatability	:	$\pm 1.0$ % F.S
Measurement unit	:	bar
Range	:	Refer "Range Table"
Differential	:	Fixed
Mounting	:	Bottom / Panel
Enclosure Material	:	Aluminum pressure die cast
Sensing Elements	:	SS 316 Diaphragm
Switch	:	1 SPDT Snap action micro switch
Switch Rating	:	5A,250 VAC / 0.2A,24 VDC
Process Connection	:	$\frac{1}{4}$ "BSP(F)
Maximum Process Temperature	:	150 °C
Ambient Temperature	:	-10...60 °C
Cable entry	:	PG - 7
Set point	:	Between 20 to 80 % F.S for better performance
High Voltage Strength	:	0.5 to 0.6 KV between open contacts and 2 K V between contact and body

### RANGE TABLE

CODE	Range "bar"
B04	0.2...2
B06	0...4
B07	0.6...6
B09	1...10
B11	1...16
B13	2...25
B15	2...32
B16	4...40
B17	5...60
B19	10...100

## DIMENSIONAL DRAWING



All dimensions are in mm

## ORDERING CODES

## 1. RANGE

Refer "Range Table"

B09

## 2. CHAMBER MATERIAL

NC AISI 304 SS  
NF AISI 316 SS

NC

## 3. SENSING ELEMENT MATERIAL

DF AISI 316 SS  
DG AISI 316L SS

DF

4. CONNECTION<sup>1</sup>

12B 1/4" BSP (M)  
13B 3/8" BSP (M)  
14B 1/2" BSP (M)  
12N 1/4" NPT (M)  
13N 3/8" NPT (M)  
14N 1/2" NPT (M)

02B

## 5. OTHER OPTIONS

TB Calibration Certificate  
XF AISI 304 SS tag plate

XX

Ordering Example : S104-B09-NC-DF-02B

## NOTES:

1. Connections are through adaptors.

## FEATURES

- Field adjustable set point
- Compact design
- Fixed differential
- 1 SPDT / 2 SPDT contact

## APPLICATION

- Hydraulic power packs
- OEM industries
- Hydraulic equipments
- Pneumatic machineries
- Automobile applications

### OEM Industry Applications



### STANDARD SPECIFICATIONS

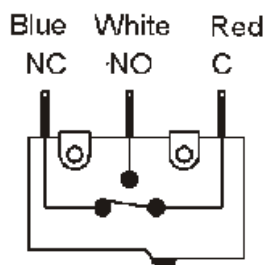
Repeatability	:	± 1% F.S
Measurement unit	:	bar
Range	:	Refer "Range Table"
Differential	:	Fixed,
Mounting	:	Direct
Sensing elements	:	Diaphragm
Sensing element material	:	Neoprene
Switch	:	1 SPDT Snap action microswitch
Switch rating	:	5A,220 VAC / 10A,24 VDC
Process connection	:	1/4"BSP(M)
Process connection material	:	AISI 304 SS
Ambient temperature	:	-10...60 °C
End Termination	:	Extension wire with terminals, 200 mm length
Set point	:	External, Field adjustable

### RANGE TABLE

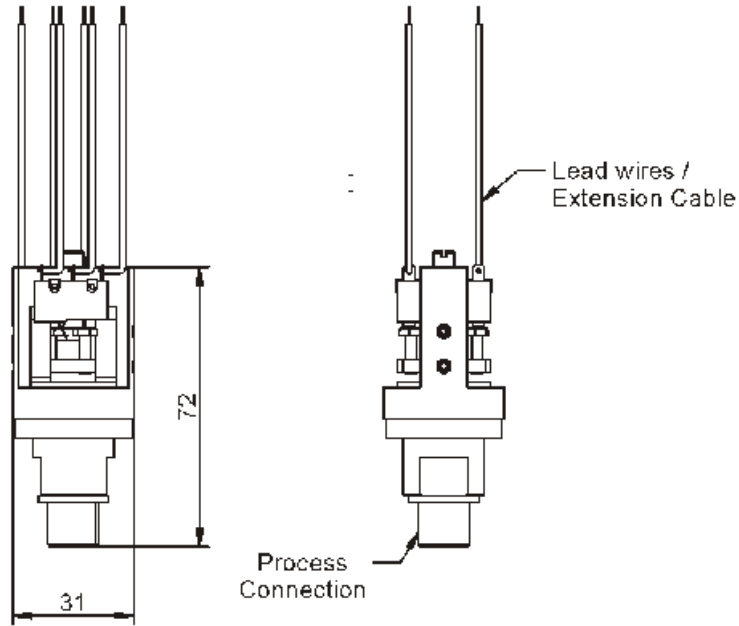
CODE	Range "mbar"	CODE	Range "bar"	CODE	Range "Bar"
D01	60...600	B04	0.2...2	B16	4...40
D02	100...1000	B06	0.4...4	B17	5...60
		B07	0.6...6	B19	10...100
		B09	1...10		
		B13	2...25		

### WIRING DIAGRAM

1SPDT / 2SPDT, Snap action Microswitch, 5A, 220VAC / 10, 24VDC



## DIMENSIONAL DRAWING



All dimensions are in mm

## ORDERING CODES

### 1. RANGE

Refer "Range Table"

B09

### 2. CHAMBER / CONNECTION MATERIAL

NC AISI 304 SS  
NF AISI 316 SS

NC

### 3. SENSING ELEMENT MATERIAL

DF AISI 316 SS  
DG AISI 316L SS  
DZ Neoprene

DZ

### 4. MICROSWITCH TYPE

M10 1 SPDT (Low deadband)  
M20 2 SPDT (Low deadband)

M20

### 5. END TERMINATION

KP Lead wire/Extension cable<sup>2</sup>

KP

### 6. PROCESS CONNECTION

02B ¼" BSP (F)  
12B ¼" BSP (M)  
13B 3/8" BSP (M)  
14B ½" BSP (M)  
12N ¼" NPT (M)  
13N 3/8" NPT (M)  
14N ½" NPT (M)

12B

### 7. OTHER OPTIONS

TB Calibration Certificate  
XF AISI 304 SS tag plate

XX

Ordering Example : S104-B09-NC-DZ-M20-KP-12B-XX

### NOTES:

1. Other connections are available through adaptors.
2. Specify Length of cable required while ordering.