

FEATURES

- Compact & Economical
- Field adjustable set point
- Scale provided
- Auto Reset

APPLICATION

- Compressors
- Textile machines
- Chillers & Air dryers
- Fire fighting systems
- Water treatment plants
- Refrigeration applications

General Purpose



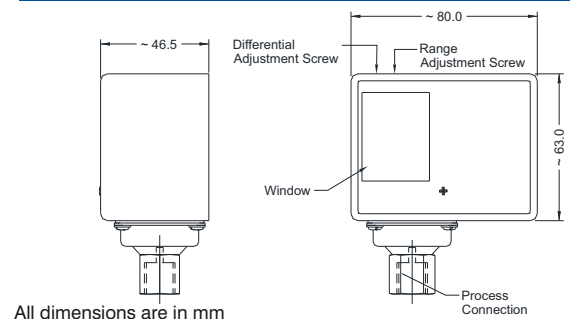
STANDARD SPECIFICATIONS

Repeatability	:	± 2% F.S
Scale Accuracy	:	± 3 % F.S
Measurement unit	:	bar / psi
Range	:	Refer "Range Table"
Differential	:	Adjustable, external
Mounting	:	Bottom / Panel
Enclosure Material	:	Steel (plated) with Plastic cover
Sensing Elements	:	Phosphor Bronze Bellow
Switch	:	1 SPDT
Switch Rating	:	15A,220 VAC / 10A,24 VDC
Process Connection	:	1/4" BSP (F)
Maximum Process Temperature	:	100 °C
Ambient Temperature	:	-10...60 °C
Mounting Accessories	:	Mounting bracket with Screws
Set point	:	External, field adjustable

RANGE TABLE

CODE	Range "bar"	Differential "bar"
N47	-0.5...3	0.25...1.5
N07	-0.5...6	0.6...3
N09	0...10	1...3
N11	3...16	1...4
N12	5...20	2...5
N14	5...30	5...12

DIMENSIONAL DRAWING



ORDERING CODES

1. RANGE

Refer "Range Table"

2. CONNECTION¹

12B	1/4" BSP (M)	13B	3/8" BSP (M)
14B	1/2" BSP (M)	12N	1/4" NPT (M)
13N	3/8" NPT (M)	14N	1/2" NPT (M)

3. OTHER OPTIONS

TB	Calibration Certificate	XF	AISI 304 SS tag plate
-----------	-------------------------	-----------	-----------------------

B09

02B

XX

APPROVALS



Ordering Example : S101-N09-02B

NOTES:

1. Connections are through adaptors.
2. The cover color shall be Blue or White depending upon availability.
3. The ranges mentioned here are standard and available in these ranges only.

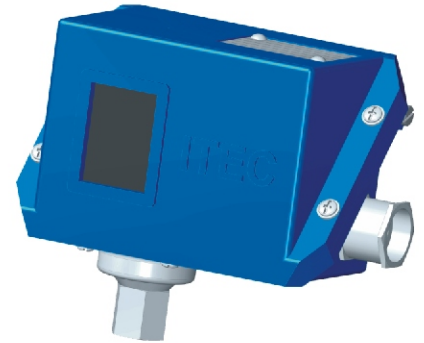
FEATURES

- Field adjustable set point
- Adjustable differential
- Weatherproof to IP67
- Scale provided

APPLICATION

- Textile machines
- Railways & Turbines
- Fire fighting systems
- Lubrication industries
- Water treatment plants
- Compressors & Boilers

Adjustable Differential



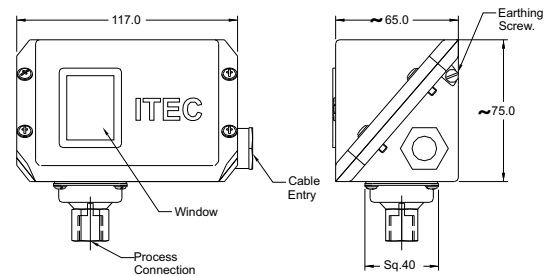
STANDARD SPECIFICATIONS

Repeatability	:	± 2% F.S
Scale accuracy	:	± 3% F.S
Measurement unit	:	bar / psi
Range	:	Refer "Range Table"
Differential	:	Adjustable, internal
Mounting	:	Bottom/ Panel
Enclosure material	:	Aluminum pressure die cast
Sensing elements	:	Phosphor Bronze / SS Bellow
Switch	:	1 SPDT
Switch rating	:	15A,220 VAC / 10A,24 VDC
Process connection	:	1/4" BSP(F)
Maximum process temperature	:	100 °C
Ambient temperature	:	-10...60 °C
Cable entry	:	3/4" ET (F)
Set point	:	Internal, field adjustable

RANGE TABLE

CODE	Range "bar"	Differential "bar"
N47	-0.5...3	0.25...1.5
N07	-0.5...6	0.6...3
N09	0...10	1...3
N11	3...16	1...4
N12	5...20	2...5
N14	5...30	5...12

DIMENSIONAL DRAWING



All dimensions are in mm

ORDERING CODES

1. RANGE

Refer "Range Table"

2. CONNECTION¹

12B	1/4" BSP (M)	13B	3/8" BSP (M)
14B	1/2" BSP (M)	12N	1/4" NPT (M)
13N	3/8" NPT (M)	14N	1/2" NPT (M)

3. OTHER OPTIONS

TB	Calibration Certificate	XF	AISI 304 SS tag plate
XV	Wall mounting bracket	XW	SS bellow systems

B09

02B

XX

Ordering Example : S102-N09-02B

NOTES:

1. Connections are through adaptors.
2. The ranges mentioned here are standard and available in these ranges only.

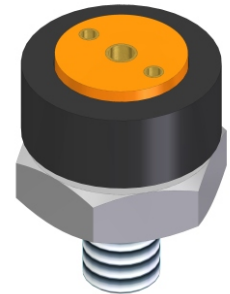
FEATURES

- Field adjustable set point
- Compact design
- Fixed differential
- 1 SPST contact

APPLICATION

- Earth movers
- OEM industries
- Lubrication industries
- Hydraulic equipments
- Pneumatic machineries
- Automobile applications

OEM Industry Applications



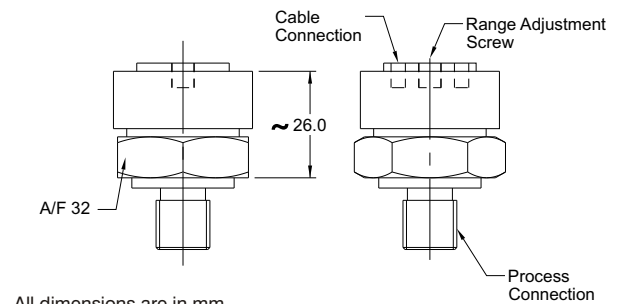
STANDARD SPECIFICATIONS

Repeatability	:	± 2% F.S
Measurement unit	:	bar
Range	:	Refer "Range Table"
Differential	:	Fixed
Mounting	:	Direct
Sensing elements	:	Diaphragm, Rubber
Switch	:	1 SPST (1 Normally Open contact - 1NO)
Electrical Supply	:	5A,220 VAC / 10A,24 VDC
Process connection	:	1/4"BSP(M), AISI 304 SS
Ambient temperature	:	-10...60 °C
Service temperature	:	80°C max.
Set point	:	External, Field adjustable

RANGE TABLE

CODE	Range "bar"
B09	1...10
B13	2...25
B16	4...40
B17	5...60

DIMENSIONAL DRAWING



ORDERING CODES

1. RANGE

Refer "Range Table"

B09

2. CONNECTION

12B 1/4" BSP (M)
14B 1/2" BSP (M)
13N 3/8" NPT (M)

13B 3/8" BSP (M)
12N 1/4" NPT (M)
14N 1/2" NPT (M)

12B

3. OTHER OPTIONS

TB Calibration Certificate
MA Connection in Brass / Cu-alloy

XF AISI 304 SS tag plate
MF Connection in AISI 316 SS

XX

Ordering Example : S101-B09-12B

NOTES:

1. Other connections are available through adaptors.

FEATURES

- 1 SPDT contact
- Weatherproof to IP 67
- Field adjustable set point
- High Accuracy / Repeatability

APPLICATION

- Earth movers
- OEM industries
- Lubrication industries
- Hydraulic equipments
- Pneumatic machineries
- Automobile applications

OEM Industry Applications



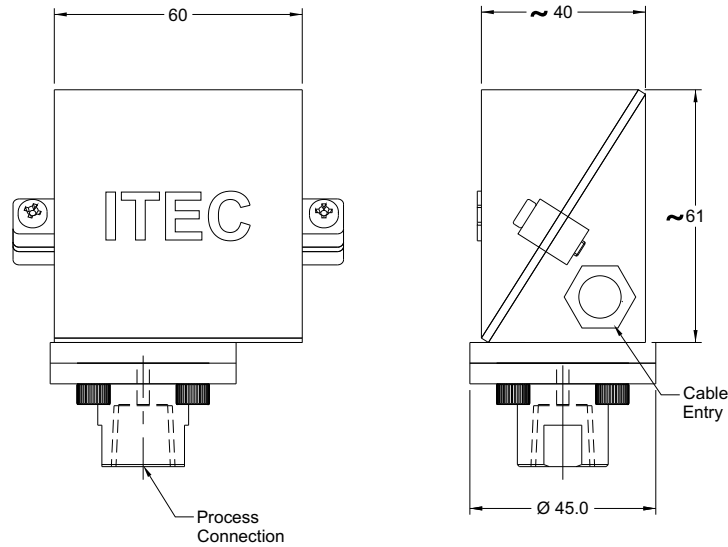
STANDARD SPECIFICATIONS

Repeatability	:	± 1.0 % F.S
Measurement unit	:	bar
Range	:	Refer "Range Table"
Differential	:	Fixed
Mounting	:	Bottom / Panel
Enclosure Material	:	Aluminum pressure die cast
Sensing Elements	:	SS 316 Diaphragm
Switch	:	1 SPDT Snap action micro switch
Switch Rating	:	5A,250 VAC / 0.2A,24 VDC
Process Connection	:	1/4"BSP(F)
Maximum Process Temperature	:	150 °C
Ambient Temperature	:	-10...60 °C
Cable entry	:	PG - 7
Set point	:	Between 20 to 80 % F.S for better performance
High Voltage Strength	:	0.5 to 0.6 KV between open contacts and 2 K V between contact and body

RANGE TABLE

CODE	Range "bar"
B04	0.2...2
B06	0...4
B07	0.6...6
B09	1...10
B11	1...16
B13	2...25
B15	2...32
B16	4...40
B17	5...60
B19	10...100

DIMENSIONAL DRAWING



All dimensions are in mm

ORDERING CODES

1. RANGE

Refer "Range Table"

B09

2. CHAMBER MATERIAL

- NC AISI 304 SS
- NF AISI 316 SS

NC

3. SENSING ELEMENT MATERIAL

- DF AISI 316 SS
- DG AISI 316L SS

DF

4. CONNECTION¹

- 12B 1/4" BSP (M)
- 13B 3/8" BSP (M)
- 14B 1/2" BSP (M)
- 12N 1/4" NPT (M)
- 13N 3/8" NPT (M)
- 14N 1/2" NPT (M)

02B

5. OTHER OPTIONS

- TB Calibration Certificate
- XF AISI 304 SS tag plate

XX

Ordering Example : S104-B09-NC-DF-02B

NOTES:

- 1. Connections are through adaptors.

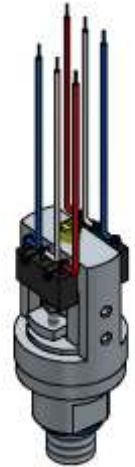
FEATURES

- Field adjustable set point
- Compact design
- Fixed differential
- 1 SPDT / 2 SPDT contact

APPLICATION

- Hydraulic power packs
- OEM industries
- Hydraulic equipments
- Pneumatic machineries
- Automobile applications

OEM Industry Applications



STANDARD SPECIFICATIONS

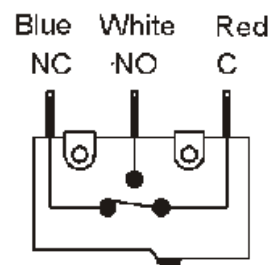
Repeatability	:	± 1% F.S
Measurement unit	:	bar
Range	:	Refer "Range Table"
Differential	:	Fixed,
Mounting	:	Direct
Sensing elements	:	Diaphragm
Sensing element material	:	Neoprene
Switch	:	1 SPDT Snap action microswitch
Switch rating	:	5A,220 VAC / 10A,24 VDC
Process connection	:	¼"BSP(M)
Process connection material	:	AISI 304 SS
Ambient temperature	:	-10...60 °C
End Termination	:	Extension wire with terminals, 200 mm length
Set point	:	External, Field adjustable

RANGE TABLE

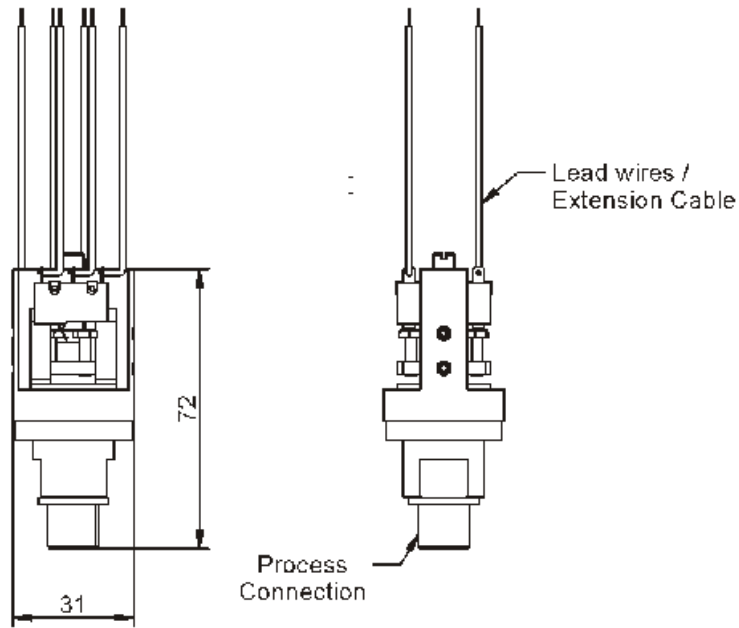
CODE	Range	CODE	Range	CODE	Range
	"mbar"		"bar"		"Bar"
D01	60...600	B04	0.2...2	B16	4...40
D02	100...1000	B06	0.4...4	B17	5...60
		B07	0.6...6	B19	10...100
		B09	1...10		
		B13	2...25		

WIRING DIAGRAM

1SPDT / 2SPDT, Snap action Microswitch, 5A, 220VAC / 10, 24VDC



DIMENSIONAL DRAWING



All dimensions are in mm

ORDERING CODES

1. RANGE

Refer "Range Table"

B09

2. CHAMBER / CONNECTION MATERIAL

NC AISI 304 SS
NF AISI 316 SS

NC

3. SENSING ELEMENT MATERIAL

DF AISI 316 SS
DG AISI 316L SS
DZ Neoprene

DZ

4. MICROSWITCH TYPE

M10 1 SPDT (Low deadband)
M20 2 SPDT (Low deadband)

M20

5. END TERMINATION

KP Lead wire/Extension cable²

KP

6. PROCESS CONNECTION

02B ¼" BSP (F)
12B ¼" BSP (M)
13B 3/8" BSP (M)
14B ½" BSP (M)
12N ¼" NPT (M)
13N 3/8" NPT (M)
14N ½" NPT (M)

12B

7. OTHER OPTIONS

TB Calibration Certificate
XF AISI 304 SS tag plate

XX

Ordering Example : S104-B09-NC-DZ-M20-KP-12B-XX

NOTES:

1. Other connections are available through adaptors.
2. Specify Length of cable required while ordering.

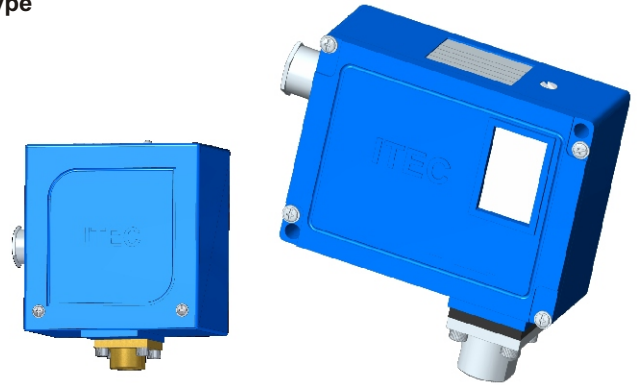
FEATURES

- Fix / adjustable differential
- Field adjustable set point
- Weatherproof to IP 67
- Internal set point lock
- Rigid construction
- Scale provided

APPLICATION

- Marine applications
- Textile machineries
- Power & steel plants
- Furnace applications
- Oil & Gas, Refineries
- Petro-chemicals & Fertilizers
- Cement & Glass industries
- Railway engines & Turbines

High Accuracy & Repeatability Type



STANDARD SPECIFICATIONS

Repeatability	:	± 0.5 % F.S
Scale accuracy	:	± 1% F.S
Measurement unit	:	bar
Range	:	Refer "Range Table"
Range adjustment	:	External (type S1), Internal (type S0)
Differential	:	Fixed (Standard), Adjustable (Optional)
Mounting	:	Bottom / Panel (type S1), Bottom (type S0)
Enclosure material	:	Aluminum pressure die cast
Sensing elements	:	SS 316 Diaphragm
Switch	:	1 SPDT Snap action micro switch
Switch rating	:	15A,250 VAC / 0.2A,24 VDC (Standard)
Process connection	:	¼" NPT (F)
Maximum process temperature	:	150 °C
Ambient temperature	:	-10...60 °C
Cable entry	:	PG.13.5 mm
Set point	:	Between 20 to 80 % F.S for better performance
High voltage strength	:	0.5 to 0.6 KV between open contacts and 2 K V between contact and body

RANGE TABLE

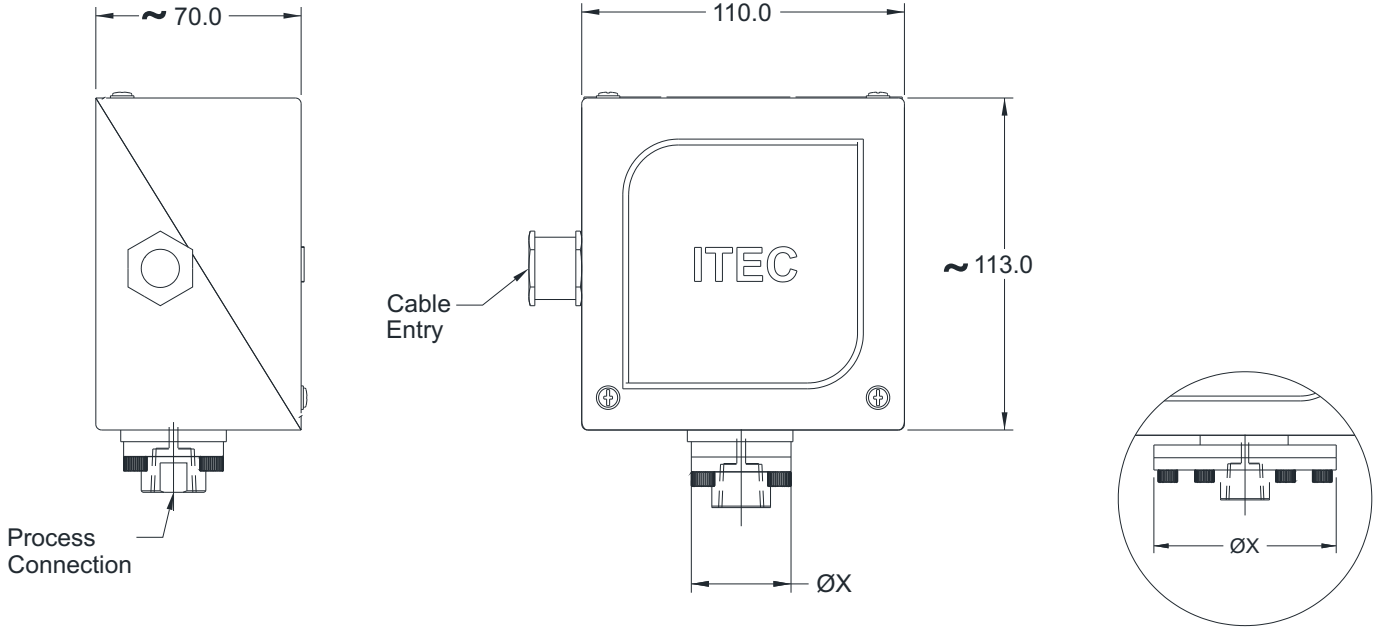
CODE	RANGE	CODE	RANGE
	"mbar"		"bar"
D53	-20...+20	B55	-1...0
D54	-40...+40	B40	-1...+2
D12	3...20	B42	-1...+4
D17	5...60	B04	0.2...2
D19	10...100	B06	0...4
D24	25...250	B07	0.6...6
D29	50...600	B09	1...10
		B11	1...16
		B13	2...25
		B15	2...32
		B16	4...40

COMPATIBLE ACCESSORIES

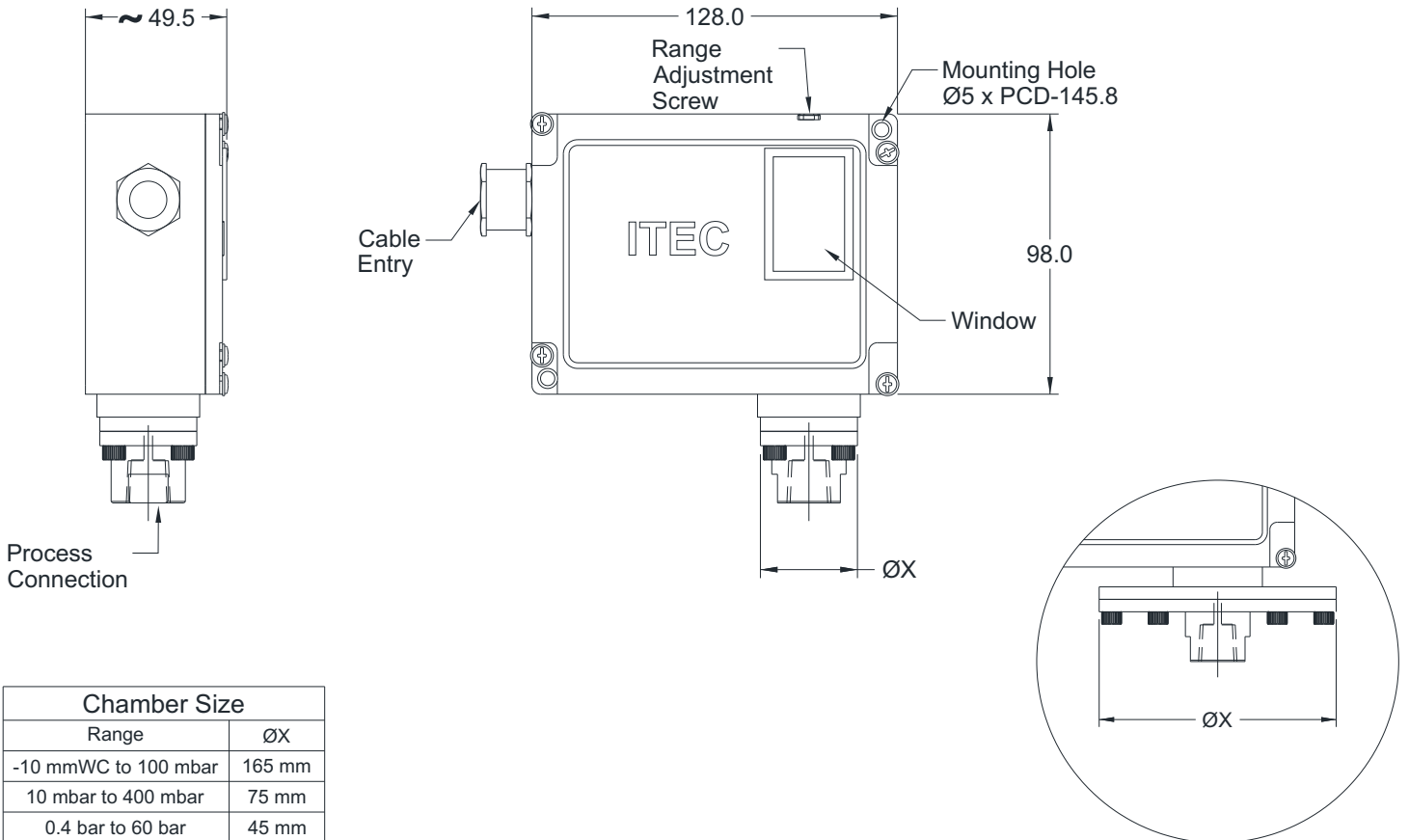
Diaphragm seal	Gauge cock	Needle Valves
Cooling tower	Snubber	Manifolds
Siphon		

DIMENSIONAL DRAWING

S0 Internal Range Setting



S1 External Range Setting



Chamber Size	
Range	ØX
-10 mmWC to 100 mbar	165 mm
10 mbar to 400 mbar	75 mm
0.4 bar to 60 bar	45 mm

All dimensions are in mm

MICROSWITCH SPECIFICATION

DESCRIPTION	RATING	RATING	DIFFERENTIAL	TYPE	SWITCH CODE	
	AC	DC			1 No.	2 Nos.
Low deadband / differential	15A/250V, 2A/24V 0.2A/220V	15A/250V, 2A/24V 0.2A/220V	Fix	SPDT	M10	M20
High dead band / differential	15A/250V, 6A/24V 0.25A/220V	15A/250V, 5A/24V 0.03A/220V	Adjustable	SPDT	M11	-
Gold plated switch	1A/250V	0.5A/28V	Fix	SPDT	M13	M23
Environmentally sealed silver contact	5A/28V	-	Fix	SPDT	M14	M24
Hermetically sealed silver contact	3A/28V	2A/24V	Fix	SPDT	M16	-
Hermetically sealed gold contact	1A/125V	-	Fix	SPDT	M17	-
DPDT	10A/125V, 0.2A/250V	-	Fix	DPDT	M08	-

ORDERING CODES
1. RANGE

Refer "Range Table"

B09
2. CHAMBER MATERIAL

NF AISI 316 SS
NN Monel K-500
NO Hastelloy C-276

NF
3. SENSING ELEMENT MATERIAL

DF AISI 316 SS
DN Monel K-500⁴
DO Hastelloy C-276⁴
D2 PTFE (Teflon)

DF
4. RANGE ADJUSTMENTS

S0 Range adjustments, Internal
S1 Range adjustments, External

S1
5. SWITCHING DIFFERENTIAL

S4 Fixed
S5 Adjustable

S4
6. SET POINT

S8 On Raising
S9 On Falling

S8
7. MICROSWITCH TYPE

Refer table "Microswitch Specification"

M10
8. CABLE ENTRY

J8 PG 13.5 cable entry
J9 DIN connector
C0 3/4" ET (F)
C1 1/2" NPT (F)
C4 4 Pin Connector
C7 7 Pin Connector

J8
9. PROCESS CONNECTION⁵

02B 1/4" BSP (F)
12B 1/4" BSP (M)
13B 3/8" BSP (M)
14B 1/2" BSP (M)
12N 1/4" NPT (M)
14N 1/2" NPT (M)
04N 1/2" NPT (F)
A25 1.5" RF 150#
A26 1.5" RF 300#
A27 1.5" RF 600#
A31 2" RF 150#
A32 2" RF 300#
A33 2" RF 600#

02N
10. OTHER OPTIONS

TB Calibration Certificate
XF AISI 304 SS tag plate
XV Wall mounting bracket
XS Mounting bracket with 2" U-clamp
TC Material test certificate 3.1
KE Cable gland, double compression weatherproof, Ni-plated brass

XX
Ordering Example : S201-B09-NF-DF-S1-S4-S8-M10-J8-02B
NOTES:

1. Except "Standard" connection, other connections are given through adaptors.
2. The option "TC" covers only wetted parts.
3. Cable gland is available in other materials, contact factory.
4. Supplied with diaphragm seal.
5. Connections are through adaptors.

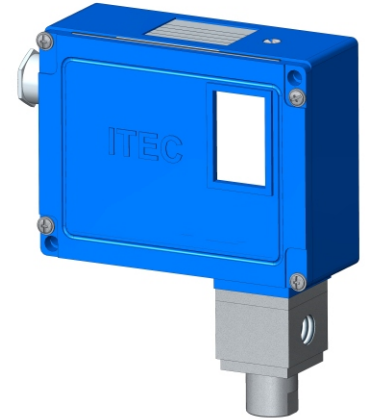
FEATURES

- Fix / adjustable differential
- Field adjustable set point
- Weatherproof to IP 67
- Internal set point lock
- Rigid construction
- Scale provided

APPLICATION

- Marine applications
- Textile machineries
- Power & steel plants
- Furnace applications
- Oil & Gas, Refineries
- Petro-chemicals & Fertilizers
- Cement & Glass industries
- Railway engines & Turbines

HP / LP port



STANDARD SPECIFICATIONS

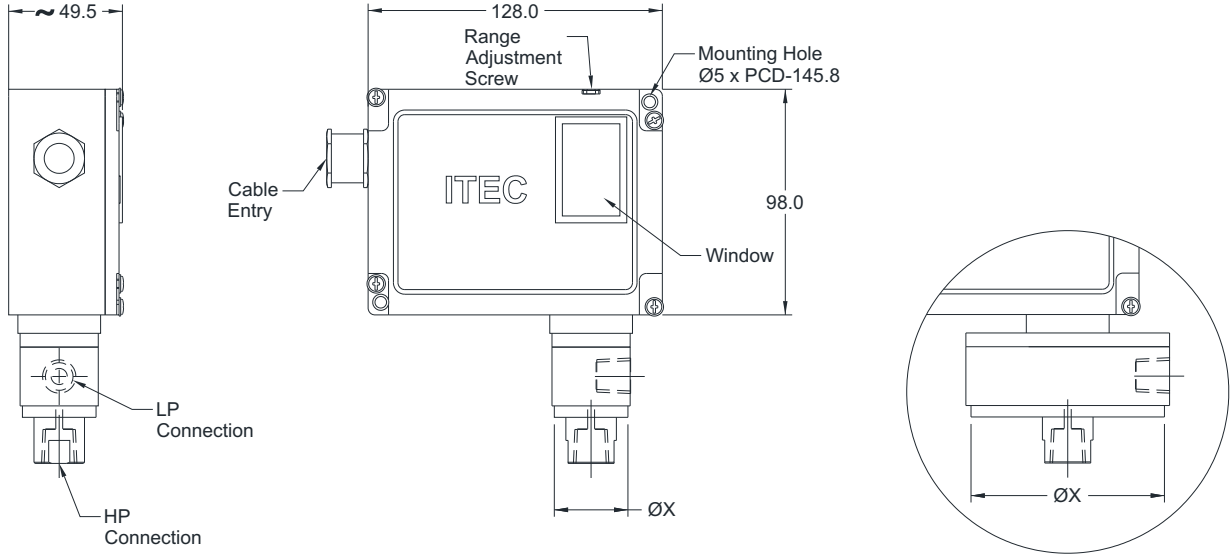
Repeatability	:	± 0.5 % F.S
Scale accuracy	:	± 1% F.S
Measurement unit	:	bar
Range	:	Refer "Range Table"
Range adjustment	:	External
Differential	:	Fixed (Standard), Adjustable (Optional)
Mounting	:	Bottom / Panel
Enclosure material	:	Aluminum pressure die cast
Sensing elements	:	SS 316 Diaphragm
Switch	:	1 SPDT Snap action micro switch
Switch rating	:	15A,250 VAC / 0.2A,24 VDC (Standard)
Process connection	:	1/4" NPT (F) x 2 Nos.
Maximum process temperature	:	150 °C
Ambient temperature	:	-10...60 °C
Cable entry	:	PG.13.5 mm
Set point	:	Between 20 to 80 % F.S for better performance
High voltage strength	:	0.5 to 0.6 KV between open contacts and 2 K V between contact and body

RANGE TABLE

CODE	RANGE "mbar"	CODE	RANGE "bar"
D17	5...60	B02	0.1...1
D19	10...100	B04	0.2...2
D24	25...250	B06	0...4
D29	50...600	B07	0.6...6
		B09	1...10
		B11	1...16
		B13	2...25

DIMENSIONAL DRAWING

S1 External Range Setting



All dimensions are in mm

Chamber Size	
Range	ØX
5 mbar to 600 mbar	80 mm
1 bar to 25 bar	45 mm

MICROSWITCH SPECIFICATION

DESCRIPTION	RATING	RATING	DIFFERENTIAL	TYPE	SWITCH CODE	
	AC	DC			1 No.	2 Nos.
Low deadband / differential	15A/250V, 2A/24V 0.2A/220V	15A/250V, 2A/24V 0.2A/220V	Fix	SPDT	M10	M20
High dead band / differential	15A/250V, 6A/24V 0.25A/220V	15A/250V, 5A/24V 0.03A/220V	Adjustable	SPDT	M11	-
Gold plated switch	1A/250V	0.5A/28V	Fix	SPDT	M13	M23
Environmentally sealed silver contact	5A/28V	-	Fix	SPDT	M14	M24
Hermetically sealed silver contact	3A/28V	2A/24V	Fix	SPDT	M16	-
Hermetically sealed gold contact	1A/125V	-	Fix	SPDT	M17	-
DPDT	10A/125V, 0.2A/250V	-	Fix	DPDT	M08	-

ORDERING CODES

1. RANGE

Refer "Range Table"

B02

2. CHAMBER MATERIAL

NF AISI 316 SS
NN Monel K-500
NO Hastelloy C-276

NF

3. SENSING ELEMENT MATERIAL

DF AISI 316 SS
DN Monel K-500³
DO Hastelloy C-276³
D2 PTFE (Teflon)

DF

4. RANGE ADJUSTMENTS

S1 Range adjustments, External

S1

5. SWITCHING DIFFERENTIAL

S4 Fixed
S5 Adjustable

S4

6. SET POINT

S8 On Raising
S9 On Falling

S8

7. MICROSWITCH TYPE

Refer table "Microswitch Specification"

M10

8. CABLE ENTRY

J8 PG 13.5 cable entry
J9 DIN connector
C0 3/4" ET (F), 1 No.
C1 1/2" NPT (F), 1 No.
C4 4 Pin Connector
C7 7 Pin Connector

J8

9. PROCESS CONNECTION

02B 1/4" BSP (F)	}	HP & LP connections are through adaptors.
12B 1/4" BSP (M)		
13B 3/8" BSP (M)		
14B 1/2" BSP (M)		
12N 1/4" NPT (M)		
14N 1/2" NPT (M)		
04N 1/2" NPT (F)	}	HP side through adaptors & LP side through capillary adaptors.
A25 1.5" RF 150#		
A26 1.5" RF 300#		
A27 1.5" RF 600#		
A31 2" RF 150#		
A32 2" RF 300#		
A33 2" RF 600#		

02N

10. OTHER OPTIONS

TB Calibration Certificate
XF AISI 304 SS tag plate
XV Wall mounting bracket
XS Mounting bracket with 2" U-clamp
TC Material test certificate 3.1
KE Cable gland, double compression weatherproof, Ni-plated brass

XX

Ordering Example : S202-B02-NF-DF-S1-S4-S8-M10-J8-02B

COMPATIBLE ACCESSORIES

Diaphragm seal	Gauge cock	Needle Valves
Cooling tower	Snubber	Manifolds
Siphon		

NOTES:

1. The option "TC" covers only wetted parts.
2. Cable gland is available in other materials, contact factory.
3. Supplied with diaphragm seal.

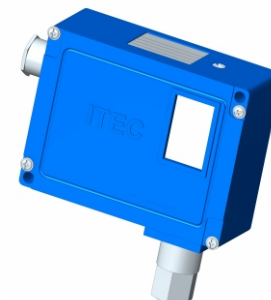
FEATURES

- Fix / adjustable differential
- Field adjustable set point
- Weatherproof to IP 67
- Internal set point lock
- Rigid construction
- Scale provided

APPLICATION

- Marine applications
- Textile machineries
- Power & steel plants
- Furnace applications
- Oil & Gas, Refineries
- Petro-chemicals & Fertilizers
- Cement & Glass industries
- Railway engines & Turbines

High Pressure



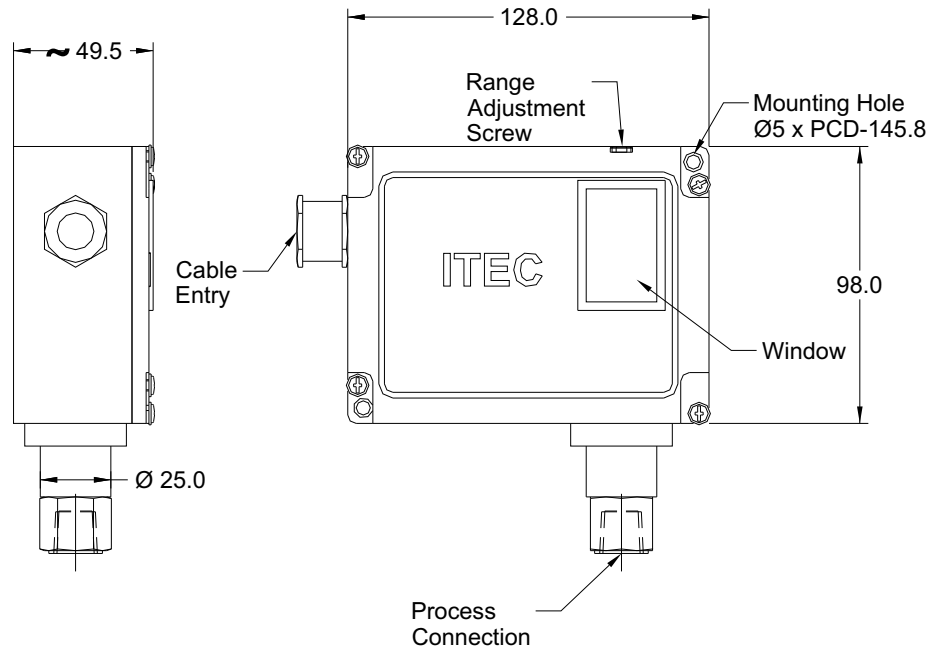
STANDARD SPECIFICATIONS

Repeatability	:	± 1 % F.S
Scale accuracy	:	± 3% F.S
Measurement unit	:	bar
Range	:	Refer "Range Table"
Range adjustment	:	External
Differential	:	Fixed (Standard), Adjustable (Optional)
Mounting	:	Bottom / Panel
Enclosure material	:	Aluminum pressure die cast
Sensing elements	:	SS 316 Piston
Switch	:	1 SPDT Snap action micro switch
Switch rating	:	15A,250 VAC / 0.2A,24 VDC (Standard)
Process connection	:	1/4" NPT (F)
Maximum process temperature	:	150 °C
Ambient temperature	:	-10...60 °C
Cable entry	:	PG.13.5 mm
Set point	:	Between 20 to 80 % F.S for better performance
High voltage strength	:	0.5 to 0.6 KV between open contacts and 2 K V between contact and body

RANGE TABLE

CODE	RANGE
	"bar"
B17	5...60
B19	10...100
B21	20...160
B24	25...250
B27	40...400

DIMENSIONAL DRAWING



All dimensions are in mm

MICROSWITCH SPECIFICATION

DESCRIPTION	RATING		DIFFERENTIAL	TYPE	SWITCH CODE	
	AC	DC			1 No.	2 Nos.
Low deadband / differential	15A/250V, 2A/24V 0.2A/220V	15A/250V, 2A/24V 0.2A/220V	Fix	SPDT	M10	M20
High dead band / differential	15A/250V, 6A/24V 0.25A/220V	15A/250V, 5A/24V 0.03A/220V	Adjustable	SPDT	M11	-
Gold plated switch	1A/250V	0.5A/28V	Fix	SPDT	M13	M23
Environmentally sealed silver contact	5A/28V	-	Fix	SPDT	M14	M24
Hermetically sealed silver contact	3A/28V	2A/24V	Fix	SPDT	M16	-
Hermetically sealed gold contact	1A/125V	-	Fix	SPDT	M17	-
DPDT	10A/125V, 0.2A/250V	-	Fix	DPDT	M08	-

ORDERING CODES

1. RANGE		B19	9. PROCESS CONNECTION⁴		02B
Refer "Range Table"			02B	1/4" BSP (F)	
2. CHAMBER MATERIAL		NF	12B	1/4" BSP (M)	
NF	AISI 316 SS		13B	3/8" BSP (M)	
3. SENSING ELEMENT MATERIAL		MF	14B	1/2" BSP (M)	
MF	AISI 316 SS		02N	1/4" NPT (F)	
5. SWITCHING DIFFERENTIAL		S4	12N	1/4" NPT (M)	
S4	Fixed		14N	1/2" NPT (M)	
S5	Adjustable		04N	1/2" NPT (F)	
6. SET POINT		S8	A25	1 1/2" RF 150#	
S8	On Raising		A26	1 1/2" RF 300#	
S9	On Falling		A27	1 1/2" RF 600#	
7. MICROSWITCH TYPE		M10	10. OTHER OPTIONS		XX
Refer table "Microswitch Specification"			TB	Calibration Certificate	
8. CABLE ENTRY		J8	XF	AISI 304 SS tag plate	
J8	PG 13.5 cable entry		XV	Wall mounting bracket	
J9	DIN connector		XS	Mounting bracket with 2" U-clamp	
C1	1/2" NPT (F)		TC	Material test certificate 3.1	
C4	4 Pin Connector		KE	Cable gland, double compression weatherproof, Ni-plated brass	
C7	7 Pin Connector				

Ordering Example : S203-B19-NF-MF-S4-S8-M10-J8-02B

COMPATIBLE ACCESSORIES

Diaphragm seal	Gauge cock	Needle Valves
Cooling tower	Snubber	Manifolds
Siphon		

NOTES:

1. Except "Standard" connection, other connections are given through adaptors.
2. The option "TC" covers only wetted parts.
3. Cable gland is available in other materials, contact factory.
4. Connections are through adaptors.

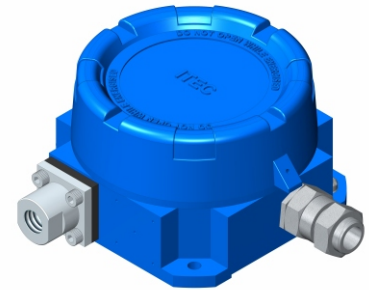
FEATURES

- Fix / adjustable differential
- Field adjustable set point
- Flameproof to Gas groups
- Internal set point lock
- Rigid construction
- Scale provided

APPLICATION

- Marine applications
- Textile machineries
- Power & steel plants
- Furnace applications
- Oil & Gas, Refineries
- Petrochemicals & Fertilizers
- Cement & Glass industries
- Railway engines & Turbines

High Accuracy & Repeatability Type



STANDARD SPECIFICATIONS

Repeatability	:	± 0.5 % F.S
Scale accuracy	:	± 1% F.S
Measurement unit	:	bar
Range	:	Refer "Range Table"
Range adjustment	:	External
Differential	:	Fixed (Standard), Adjustable (Optional)
Mounting	:	Bottom / Panel
Enclosure material	:	Aluminum pressure die cast
Equipment rating	:	Ex d IIC T6 Gb (-10°C ≤ Ta ≤ +60°C) Zone 0, 1 & 2 as per IS/IEC 60079-1 : 2007
Ingress protection	:	IP 67
Sensing elements	:	SS 316 Diaphragm
Switch	:	1 SPDT Snap action micro switch
Switch rating	:	15A,250 VAC / 0.2A,24 VDC (Standard)
Process connection	:	1/4" NPT (F)
Maximum process temperature	:	150 °C
Ambient temperature	:	-10...60 °C
Cable entry	:	1/2" NPT Flameproof Double compression, in brass
Set point	:	Between 20 to 80 % F.S for better performance
High voltage strength	:	0.5 to 0.6 KV between open contacts and 2 K V between contact and body

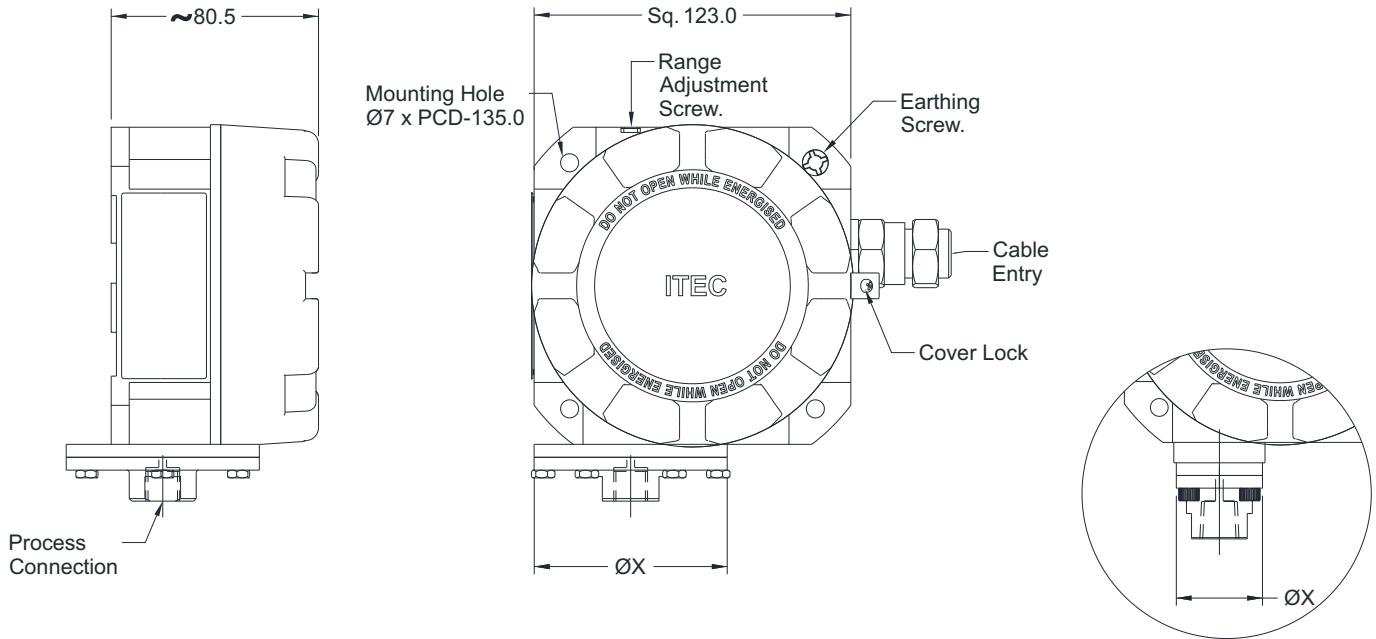
RANGE TABLE

CODE	RANGE "mbar"	CODE	RANGE "bar"
D53	-20...+20	B55	-1...0
D54	-40...+40	B40	-1...+2
D12	3...20	B42	-1...+4
D17	5...60	B04	0.2...2
D19	10...100	B06	0...4
D24	25...250	B07	0.6...6
D29	50...600	B09	1...10
		B11	1...16
		B13	2...25
		B15	2...32
		B16	4...40

APPROVALS



DIMENSIONAL DRAWING



All dimensions are in mm

Chamber Size	
Range	ØX
-10 mmWC to 100 mbar	165 mm
10 mbar to 400 mbar	75 mm
0.4 bar to 60 bar	45 mm

MICROSWITCH SPECIFICATION

DESCRIPTION	RATING	RATING	DIFFERENTIAL	TYPE	SWITCH CODE	
	AC	DC			1 No.	2 Nos.
Low deadband / differential	15A/250V, 2A/24V 0.2A/220V	15A/250V, 2A/24V 0.2A/220V	Fix	SPDT	M10	M20
High dead band / differential	15A/250V, 6A/24V 0.25A/220V	15A/250V, 5A/24V 0.03A/220V	Adjustable	SPDT	M11	-
Gold plated switch	1A/250V	0.5A/28V	Fix	SPDT	M13	M23
Environmentally sealed silver contact	5A/28V	-	Fix	SPDT	M14	M24
Hermetically sealed silver contact	3A/28V	2A/24V	Fix	SPDT	M16	-
Hermetically sealed gold contact	1A/125V	-	Fix	SPDT	M17	-
DPDT	10A/125V, 0.2A/250V	-	Fix	DPDT	M08	-

ORDERING CODES

1. RANGE

Refer "Range Table"

B09

2. CHAMBER MATERIAL

NF AISI 316 SS
 NN Monel K-500
 NO Hastelloy C-276

NF

3. SENSING ELEMENT MATERIAL

DF AISI 316 SS
 DN Monel K-500⁵
 DO Hastelloy C-276⁵
 D2 PTFE (Teflon)

DF

4. SWITCHING DIFFERENTIAL

S4 Fixed
 S5 Adjustable

S4

5. SET POINT

S8 On Raising
 S9 On Falling

S8

6. MICROSWITCH TYPE

Refer "Microswitch Specification"

M10

7. CABLE ENTRY

C1 1/2" NPT (F)

C1

8. PROCESS CONNECTION¹

02B 1/4" BSP (F)
 12B 1/4" BSP (M)
 13B 3/8" BSP (M)
 14B 1/2" BSP (M)
 12N 1/4" NPT (M)
 14N 1/2" NPT (M)
 04N 1/2" NPT (F)
 A25 1.5" RF 150#
 A26 1.5" RF 300#
 A27 1.5" RF 600#
 A31 2" RF 150#
 A32 2" RF 300#
 A33 2" RF 600#

02N

9. OTHER OPTIONS

TB Calibration Certificate
 XF AISI 304 SS tag plate
 XV Wall mounting bracket
 XS Mounting bracket with 2" U-clamp
 TC Material test certificate 3.1
 KK Cable gland, double compression
 flameproof, Ni-plated brass
 KL Cable gland, double compression
 flameproof, AISI 304 SS

KK

Ordering Example : S301-B09-NF-DF-S4-S8-M10-C1-02B-KK

COMPATIBLE ACCESSORIES

Diaphragm seal	Gauge cock	Needle Valves
Cooling tower	Snubber	Manifolds
Siphon		

NOTES:

- Connections are through adaptors.
- The option "TC" covers only wetted parts.
- Cable gland is available in other materials, contact factory.
- Double Compression cable gland is a necessary option. Must to be chosen while ordering.
- Supplied with diaphragm seal.

FEATURES

- Fix / adjustable differential
- Field adjustable set point
- Flameproof to Gas groups
- Internal set point lock
- Rigid construction
- Scale provided

APPLICATION

- Marine applications
- Textile machineries
- Power & steel plants
- Furnace applications
- Oil & Gas, Refineries
- Petro-chemicals & Fertilizers
- Cement & Glass industries
- Railway engines & Turbines

HP / LP port



STANDARD SPECIFICATIONS

Repeatability	:	± 0.5 % F.S
Scale accuracy	:	± 1% F.S
Measurement unit	:	bar
Range	:	Refer "Range Table"
Range adjustment	:	External
Differential	:	Fixed (Standard), Adjustable (Optional)
Mounting	:	Bottom / Panel
Enclosure material	:	Aluminum pressure die cast
Equipment rating	:	Ex d IIC T6 Gb (-10°C ≤ Ta ≤ +60°C) Zone 0, 1 & 2 as per IS/IEC 60079-1 : 2007
Ingress protection	:	IP 67
Sensing elements	:	SS 316 Diaphragm
Switch	:	1 SPDT Snap action micro switch
Switch rating	:	15A,250 VAC / 0.2A,24 VDC (Standard)
Process connection	:	¼" NPT (F) x 2 Nos.
Maximum process temperature	:	150 °C
Ambient temperature	:	-10...60 °C
Cable entry	:	½" NPT Flameproof Double compression, in brass
Set point	:	Between 20 to 80 % F.S for better performance
High voltage strength	:	0.5 to 0.6 KV between open contacts and 2 K V between contact and body

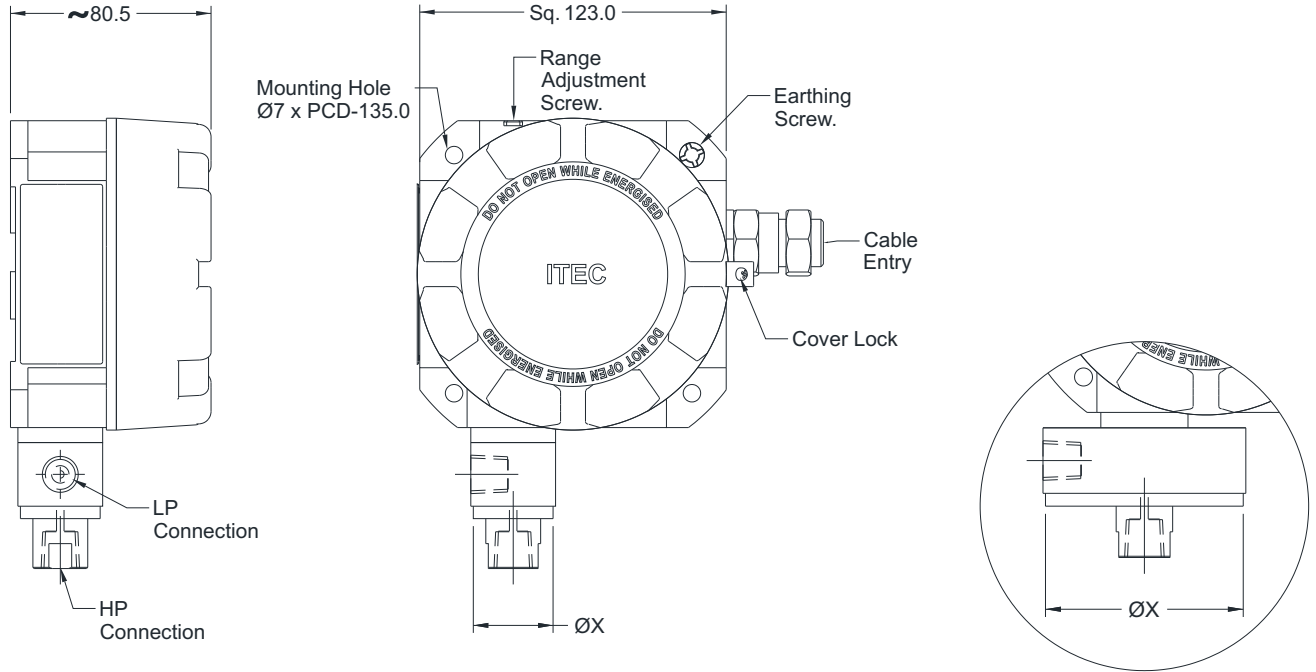
RANGE TABLE

CODE	RANGE "mbar"	CODE	RANGE "bar"
D17	5...60	B02	0.1...1
D19	10...100	B04	0.2...2
D24	25...250	B06	0...4
D29	50...600	B07	0.6...6
		B09	1...10
		B11	1...16
		B13	2...25

APPROVALS



DIMENSIONAL DRAWING



All dimensions are in mm

Chamber Size	
Range	$\varnothing X$
5 mbar to 600 mbar	80 mm
1 bar to 25 bar	45 mm

MICROSWITCH SPECIFICATION

DESCRIPTION	RATING		DIFFERENTIAL	TYPE	SWITCH CODE	
	AC	DC			1 No.	2 Nos.
Low deadband / differential	15A/250V, 2A/24V 0.2A/220V	15A/250V, 2A/24V 0.2A/220V	Fix	SPDT	M10	M20
High dead band / differential	15A/250V, 6A/24V 0.25A/220V	15A/250V, 5A/24V 0.03A/220V	Adjustable	SPDT	M11	-
Gold plated switch	1A/250V	0.5A/28V	Fix	SPDT	M13	M23
Environmentally sealed silver contact	5A/28V	-	Fix	SPDT	M14	M24
Hermetically sealed silver contact	3A/28V	2A/24V	Fix	SPDT	M16	-
Hermetically sealed gold contact	1A/125V	-	Fix	SPDT	M17	-
DPDT	10A/125V, 0.2A/250V	-	Fix	DPDT	M08	-

ORDERING CODES

1. RANGE

Refer "Range Table"

B02

2. CHAMBER MATERIAL

NF AISI 316 SS
NN Monel K-500
NO Hastelloy C-276

NF

3. SENSING ELEMENT MATERIAL

DF AISI 316 SS
DN Monel K-500⁴
DO Hastelloy C-276⁴
D2 PTFE (Teflon)

DF

4. SWITCHING DIFFERENTIAL

S4 Fixed
S5 Adjustable

S4

5. SET POINT

S8 On Raising
S9 On Falling

S8

6. MICROSWITCH TYPE

Refer table "Microswitch Specification"

M10

7. CABLE ENTRY

C1 1/2" NPT (F)

C1

8. PROCESS CONNECTION

02B 1/4" BSP (F)
12B 1/4" BSP (M)
13B 3/8" BSP (M)
14B 1/2" BSP (M)
12N 1/4" NPT (M)
14N 1/2" NPT (M)
04N 1/2" NPT (F)
A25 1.5" RF 150#
A26 1.5" RF 300#
A27 1.5" RF 600#
A31 2" RF 150#
A32 2" RF 300#
A33 2" RF 600#

HP & LP connections are through adaptors.

HP side through adaptors & LP side through capillary adaptors.

02N

9. OTHER OPTIONS

TB Calibration Certificate
XF AISI 304 SS tag plate
XV Wall mounting bracket
XS Mounting bracket with 2" U-clamp
TC Material test certificate 3.1
KK Cable gland, double compression flameproof, Ni-plated brass
KL Cable gland, double compression flameproof, AISI 304 SS

KK

Ordering Example : S302-B02-NF-DF-S4-S8-M10-C1-02B-KK

COMPATIBLE ACCESSORIES

Diaphragm seal	Gauge cock	Needle Valves
Cooling tower	Snubber	Manifolds
Siphon		

NOTES:

- The option "TC" covers only wetted parts.
- Cable gland is available in other materials, contact factory.
- Double Compression cable gland is a necessary option. Must to be chosen while ordering.
- Supplied with diaphragm seal.

FEATURES

- Fix / adjustable differential
- Field adjustable set point
- Flameproof to Gas groups
- Internal set point lock
- Rigid construction
- Scale provided

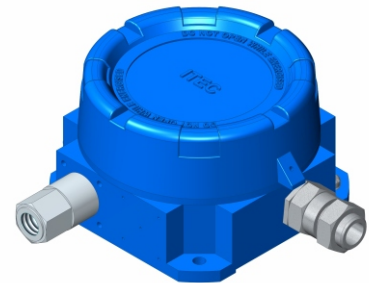
APPLICATION

- Marine applications
- Textile machineries
- Power & steel plants
- Furnace applications
- Oil & Gas, Refineries
- Petro-chemicals & Fertilizers
- Cement & Glass industries
- Railway engines & Turbines

APPROVALS



High Pressure



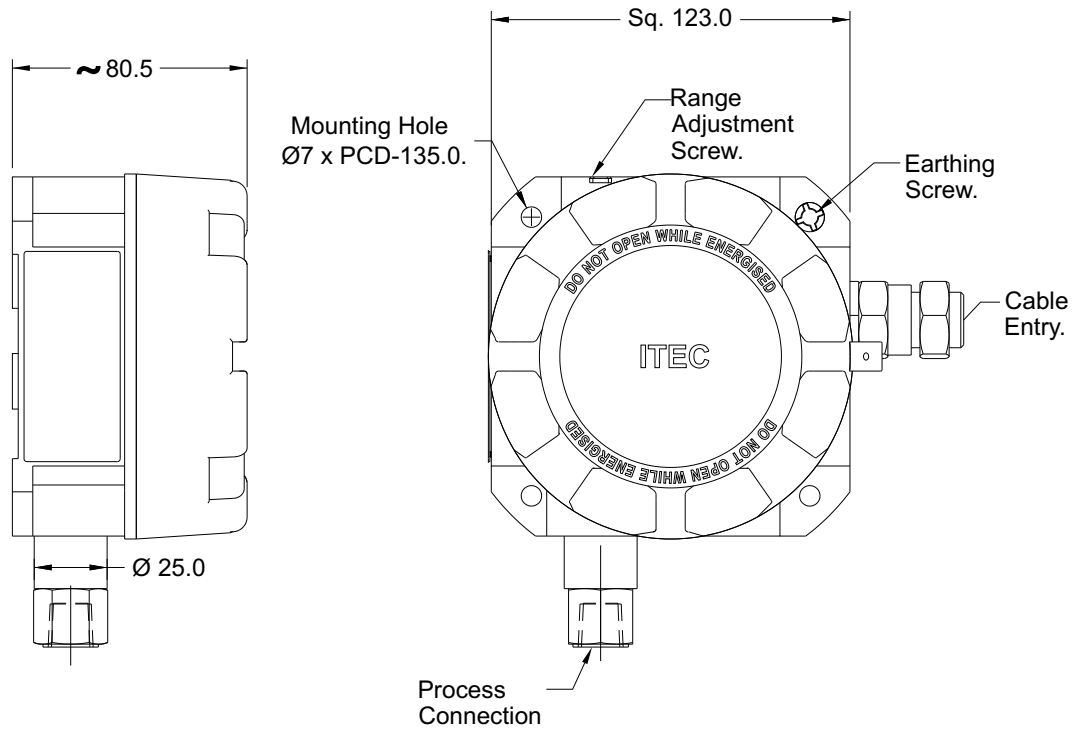
STANDARD SPECIFICATIONS

Repeatability	:	± 1 % F.S
Scale accuracy	:	± 3 % F.S
Measurement unit	:	bar
Range	:	Refer "Range Table"
Range adjustment	:	External
Differential	:	Fixed (Standard), Adjustable (Optional)
Mounting	:	Bottom / Panel
Enclosure material	:	Aluminum pressure die cast
Equipment rating	:	Ex d IIC T6 Gb (-10°C ≤ Ta ≤ +60°C) Zone 0, 1 & 2 as per IS/IEC 60079-1 : 2007
Ingress protection	:	IP 67
Sensing elements	:	SS 316 Piston
Switch	:	1 SPDT Snap action micro switch
Switch rating	:	15A,250 VAC / 0.2A,24 VDC (Standard)
Process connection	:	1/4" NPT (F)
Maximum process temperature	:	150 °C
Ambient temperature	:	-10...60 °C
Cable entry	:	1/2" NPT Flameproof Double compression, in brass
Set point	:	Between 20 to 80 % F.S for better performance
High voltage strength	:	0.5 to 0.6 KV between open contacts and 2 K V between contact and body

RANGE TABLE

CODE	RANGE
	"bar"
B17	5...60
B19	10...100
B21	20...160
B24	25...250
B27	40...400

DIMENSIONAL DRAWING



All dimensions are in mm

MICROSWITCH SPECIFICATION

DESCRIPTION	RATING		DIFFERENTIAL	TYPE	SWITCH CODE	
	AC	DC			1 No.	2 Nos.
Low deadband / differential	15A/250V, 2A/24V 0.2A/220V	15A/250V, 2A/24V 0.2A/220V	Fix	SPDT	M10	M20
High dead band / differential	15A/250V, 6A/24V 0.25A/220V	15A/250V, 5A/24V 0.03A/220V	Adjustable	SPDT	M11	-
Gold plated switch	1A/250V	0.5A/28V	Fix	SPDT	M13	M23
Environmentally sealed silver contact	5A/28V	-	Fix	SPDT	M14	M24
Hermetically sealed silver contact	3A/28V	2A/24V	Fix	SPDT	M16	-
Hermetically sealed gold contact	1A/125V	-	Fix	SPDT	M17	-
DPDT	10A/125V, 0.2A/250V	-	Fix	DPDT	M08	-

ORDERING CODES

1. RANGE		B19	8. PROCESS CONNECTION¹		02N
Refer "Range Table"			02B	1/4" BSP (F)	
2. CHAMBER MATERIAL		NF	12B	1/4" BSP (M)	
NF	AISI 316 SS		13B	3/8" BSP (M)	
3. SENSING ELEMENT MATERIAL		MF	14B	1/2" BSP (M)	
MF	AISI 316 SS		02N	1/4" NPT (F)	
4. SWITCHING DIFFERENTIAL		S4	12N	1/4" NPT (M)	
S4	Fixed		14N	1/2" NPT (M)	
S5	Adjustable	S8	04N	1/2" NPT (F)	
5. SET POINT			A25	1.5" RF 150#	
S8	On Raising	M10	A26	1.5" RF 300#	
S9	On Falling		A27	1.5" RF 600#	
6. MICROSWITCH TYPE		C1	A31	2" RF 150#	
Refer table "Microswitch Specification"			A32	2" RF 300#	
7. CABLE ENTRY		02N	A33	2" RF 600#	
C1	1/2" NPT (F)		9. OTHER OPTIONS		
		TB	TB	Calibration Certificate	
			XF	AISI 304 SS tag plate	
		TB	XV	Wall mounting bracket	
			XS	Mounting bracket with 2" U-clamp	
		TB	TC	Material test certificate 3.1	
			KK	Cable gland, double compression flameproof, Ni-plated brass	
		TB	KL	Cable gland, double compression flameproof, AISI 304 SS	

Ordering Example : S303-B19-NF-MF-S4-S8-M10-C1-02B-KK
COMPATIBLE ACCESSORIES

Diaphragm seal	Gauge cock	Needle Valves
Cooling tower	Snubber	Manifolds
Siphon		

NOTES:

- Connections are through adaptors.
- The option "TC" covers only wetted parts.
- Cable gland is available in other materials, contact factory.
- Double Compression cable gland is a necessary option. Must to be chosen while ordering.