

FEATURES

- Precision measuring system
- High resolution dial
- Knife Edge pointer
- Anti-parallax mirror band
- Jewel bearing movement
- Easy to read scale

APPLICATION

- Calibration & testing labs
- Calibration & testing of industrial pressure gauges

SS Case



STANDARD PARAMETERS

Accuracy	:	CL 0.25
Ambient temperature	:	20...+65°C
Service temperature	:	65°C max.
Pressure limits	:	Steady pressure up to 75% of FS value
Weld joints	:	Silver alloy brazing

MATERIAL OF CONSTRUCTION

Sensing element	:	Bourdon Tube (<100 bar : C - type , > 100 bar : Helical)
Case & Ring material	:	AISI 304 SS (Bayonet type)
Bourdon tube	:	Beryllium Copper
Shank	:	Copper alloy
Integral dampening screw	:	Copper alloy
Movement mechanism	:	High precision (Jewel bearing type)
Dial	:	Aluminum, green with black marking & anti-parallax mirror band
Pointer	:	Balanced, knife-edge micrometer adjustable
Pointer stopper	:	Spring type
Gaskets & Blow off disc	:	NBR
Window	:	Safety glass

STANDARD SPECIFICATIONS

Dial size	:	DN150 / DN250
Range	:	-1...700 bar
Mounting pattern	:	Direct, Bottom connection
Process connection	:	1/2" NPT (M) / 1/2" BSP (M)
Ingress protection	:	IP 65
Execution	:	Dry
Carrying case	:	Pine wood carrying case
Calibration certificate	:	Calibration certificate traceable up to National & International standards

TEMPERATURE EFFECT

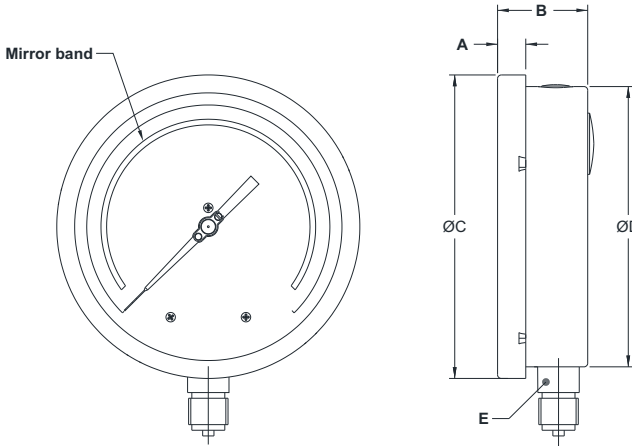
When temperature of the measuring system deviates from reference temperature (+20°C) max error $\pm 0.4\%$ / 10K of true scale value.

REFERENCE

EN 837-1

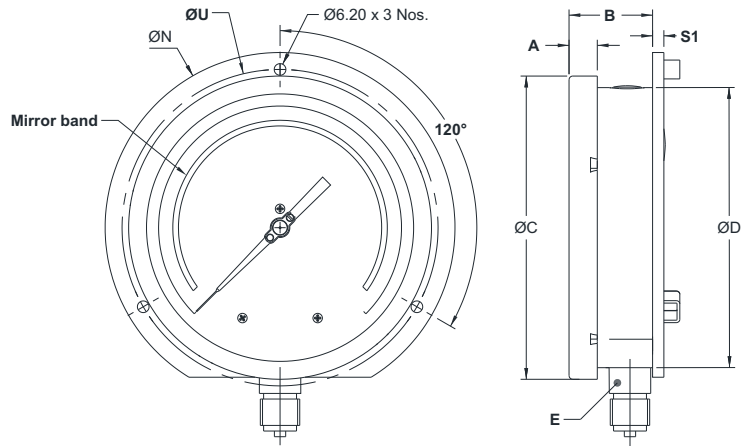
DIMENSIONAL DRAWING

Type B0



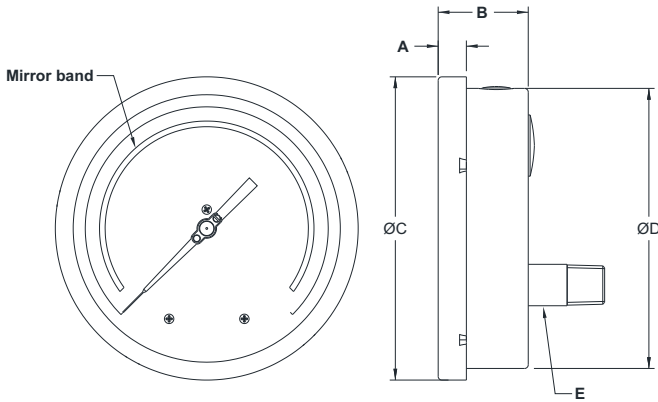
DN	A	B	ØC	ØD	E	Weight (grams)
150	15	48	161	149	SQ.22	950
250	18.5	50	263	250	SQ.22	2150

Type B1



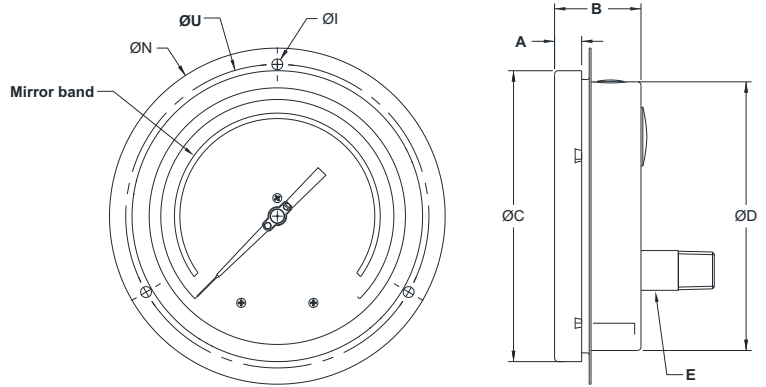
DN	A	B	ØC	ØD	E	ØI	M	ØN	S1	ØU	Weight (grams)
150	15	46	161	149	SQ.22	6	172.4	186	6	168	1065
250	18.5	48	263	250	SQ.22	7	286.5	290	1.5	276	2375

Type L0



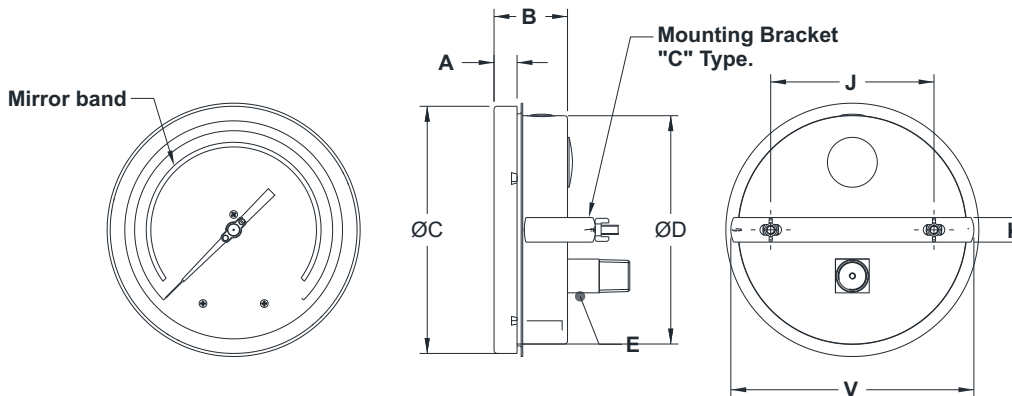
DN	A	B	ØC	ØD	E	Weight (grams)
150	15	48	161	149	SQ.22	950
250	18.5	50	263	250	SQ.22	2150

Type L1



DN	A	B	ØC	ØD	E	ØI	ØN	ØU	Weight (grams)
150	15	48	161	149	SQ.22	6	186	168	1066
250	18.5	50	263	250	SQ.22	7	290	276	2350

Type L2



DN	A	B	ØC	ØD	E	J	K	V	Weight (grams)
150	15	48	161	149	SQ.22	106.5	16	158.5	1150
250	18.5	50	263	250	SQ.22	180	30	270	2450

All dimensions are in mm.

ORDERING CODES

1. DIAL SIZE

- 06** 150 mm / 6"
- 10** 250 mm / 10"

06

2. RANGE

- XXX** Refer "Range Table"

XXX

3. MOUNTING PATTERN

- B0** Direct, Bottom connection
- B1** Wall/Surface/Projection mounting, Bottom connection
- L0** Lower, Back connection
- L1** Panel/Front flange mounting, Lower Back connection
- L2** Panel/bracket mounting, Lower Back connection

B0

4. PROCESS CONNECTION

- 12N** 1/4" NPT (M)
- 14N** 1/2" NPT (M)
- 14B** 1/2" BSP (M)
- 14M** M20 X 1.5 mm (M)

14N

5. INGRESS PROTECTION

- ER** IP 65

ER

6. EXECUTION

- EA** Dry

EA

7. OTHER OPTIONS

- EN** Dampening screw, AISI 316 SS
- MA** Cu-Alloy Shank
- MF** AISI 316 SS shank
- XF** SS tag plate, AISI 304 SS
- XR** Custom designed dial
- XT** Dial tag marking

XX

8. ACCESSORIES

- A202** Gauge saver
- A201** Gauge snubber

Ordering Example : P801-06-XXX-B0-14N-ER-EB

NOTES

1. For other connections, please contact factory.