

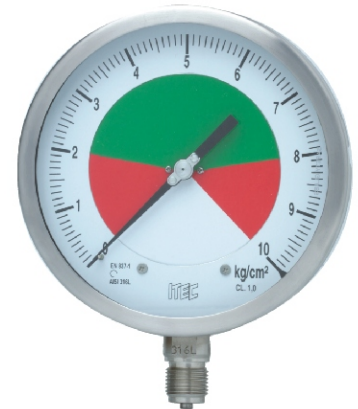
FEATURES

- Socket-case, direct welded CE marking
- External zero adjustment
- External dead band adjustment

APPLICATION

- Liquid & gaseous mediums
- Corrosive environments
- Oil & Gas applications
- Chemical & Petrochemical

Gauge With Externally Rotatable Dial



STANDARD PARAMETERS

Accuracy	: CL 1.0
Ambient temperature	: -40...+65°C (without dampening liquid)
	: -20...+65°C (with dampening liquid)
Service temperature	: 300°C max.
Pressure limits	: Steady pressure up to FS value
	: Fluctuating pressure up to 90% of FS value
	: Short time 1.3 x FS value for range up to 100 bar
	: Short time 1.15 x FS value for range above 100 bar
Weld joints	: TIG argon arc welding

MATERIAL OF CONSTRUCTION

Sensing element	: Bourdon Tube (<100 bar : C - type , >100 bar : Helical)
Case & Ring material	: AISI 304 SS (Bayonet type)
Bourdon tube & Shank	: AISI 316L SS (Shank welded directly to case)
Movement mechanism	: AISI 304 SS
Dial	: Aluminum, black graduation on white background
Safety dead band adjustment	: ± 25° max.
Pointer	: Micro-zero adjustable, aluminum, black powder coated
Gaskets, Blow off disc & filling plug	: Neoprene / NBR
Window	: Sheet glass

STANDARD SPECIFICATIONS

Dial size	: DN100 / DN150
Range	: -1...2,100 bar
Mounting pattern	: Direct, Bottom connection
Process connection	: ½" NPT (M) / ½" BSP (M)
Ingress protection	: IP 65
Execution	: Dry

STANDARD SPECIFICATIONS : DAMPENING LIQUID FILLED, GLYCERIN

Window	: Safety glass
Dampening liquid	: Glycerin 99.7% [Service temperature up to 65°C]

TEMPERATURE EFFECT

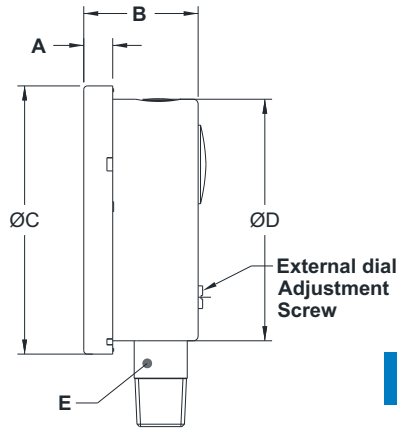
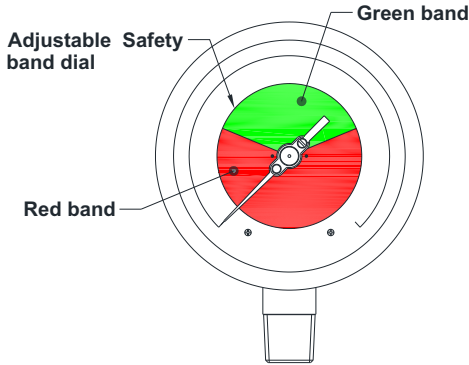
When temperature of the measuring system deviates from reference temperature (+20°C) max error ±0.4% / 10K of true scale value.

REFERENCE

EN 837-1

DIMENSIONAL DRAWING

Type L2



DN	A	B	ØC	ØD	E	Weight (grams)
100	12	48	111	100	SQ.22	506
150	15	48	161	149	SQ.22	900

All dimensions are in mm.

ORDERING CODES

1. DIAL SIZE

- 04 100 mm / 4"
- 06 150 mm / 6"

04

2. RANGE

- XXX Refer "Range Table"

XXX

3. MOUNTING PATTERN

- B0 Direct, Bottom connection

B0

4. PROCESS CONNECTION

- 14B 1/2" BSP (M)
- 14M M20 X 1.5 mm (M)
- 14N 1/2" NPT (M)

14N

5. INGRESS PROTECTION

- ER IP 65
- ES IP 66
- ET IP 67

ER

6. EXECUTION

- EA Dry
- EB Dry but fillable
- EG Dampening liquid filled, glycerine
- EH Dampening liquid filled, silicon oil²

EA

7. OTHER OPTIONS

- BA Case & Ring in AISI 316 SS (B0)
- EM Dampening screw, Monel
- EN Dampening screw, AISI 316 SS
- EX Internal overload stop
- EY Internal vacuum stop
- EZ Pointer stop on dial
- GB Plexi glass
- GC Shatterproof safety glass
- GL AISI 316 SS movement
- GM Dampened movement
- MN Monel wetted parts
- RA Rubber parts, Viton
- RW Vent plug, ON-OFF type
- TA 5 - point calibration certificate
- TC Material test certificate 3.1
- TE CE certificate
- TM Material test certificate 2.2
- TN Tested to NACE standards
- TO Certification for Oxygen service
- XF SS tag plate, AISI 304 SS
- XG SS tag plate, AISI 316 SS
- XR Custom designed dial
- XT Dial tag marking

XX

Ordering Example : P802-04-XXX-B0-14N-ER-EA

NOTES

1. For other connections, please contact factory.
2. Rubber parts shall be in Viton.

FEATURES

- Rugged construction
- Moving dial system

APPLICATION

- Mud pumps
- Petroleum industries
- Well drilling

Diaphragm



STANDARD PARAMETERS

Accuracy	:	CL 2.0
Ambient temperature	:	-20... +65°C
Service temperature	:	65°C max.

MATERIAL OF CONSTRUCTION

Sensing element	:	Diaphragm
Case & Ring material	:	Gun metal casting, grey hammertone finish, screwed
Diaphragm	:	Stainless Steel
Diaphragm protection	:	Rubber
Shank	:	Anti-corrosion treated mild steel
Movement mechanism	:	Stainless Steel
Dial	:	Aluminum, stove enameled white, with black marking
Gaskets	:	Neoprene
Window	:	Plexi glass

STANDARD SPECIFICATIONS

Dial size	:	DN100
Range	:	0...40 bar [B16], 0...60 bar [B17], 0...100 bar [B19] 0...160 bar [B21], 0...250 bar [B24], 0...400 bar [B27] 0...600 bar [B29], 0...800 bar [B59]
Mounting pattern	:	Direct, Bottom connection
Process connection	:	2" NPT (M)
Ingress protection	:	IP 65
Execution	:	Dampening glycerin liquid filled

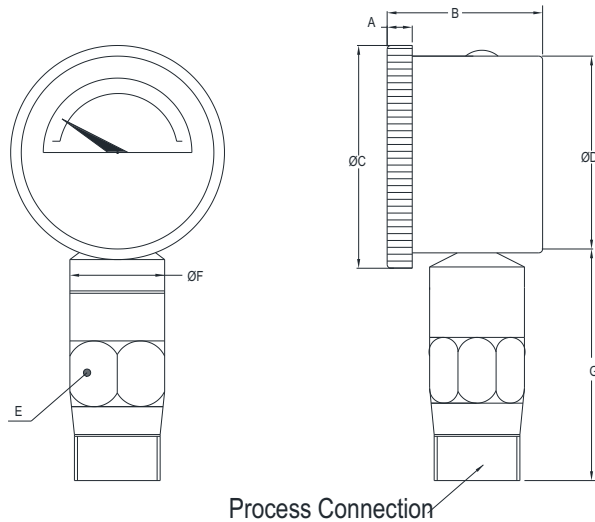
TEMPERATURE EFFECT

When temperature of the measuring system deviates from reference temperature (+20°C) max error $\pm 0.4\%$ / 10K of true scale value.

REFERENCE

EN 837-1

DIMENSIONAL DRAWING



DN	A	B	ØC	ØD	E	ØF	H	Weight (grams)
10	51	115	125	250	65	65	125	3460

All dimensions are in mm.

ORDERING CODES

1. DIAL SIZE

04 100 mm / 4"

04

2. RANGE

B16 0...40 bar	B17 0...60 bar
B19 0...100 bar	B21 0...160 bar
B24 0...250 bar	B27 0...400 bar
B29 0...600 bar	B59 0...800 bar

XXX

3. MOUNTING PATTERN

B0 Direct, Bottom connection

B0

4. PROCESS CONNECTION

17N 1½" NPT (M)
18N 2" NPT (M)
17B 1½" BSP (M)
18B 2" BSP (M)

18N

5. INGRESS PROTECTION

ER IP 65

ER

6. EXECUTION

EG Dampening liquid filled, glycerine

EG

Ordering Example : P803-04-XXX-B0-18N-ER-EG

NOTES

1. For other connections, please contact factory.

FEATURES

- Economical version
- Easy installation
- Panel mounting style

APPLICATION

- LP draft measurement
- Furnace or flew measurement
- Steam boilers, ships & thermal power stations

REFERENCE

EN 837-1

Edge Wise



STANDARD PARAMETERS

Accuracy	:	CL 2.5
Ambient temperature	:	20...+65°C
Service temperature	:	65°C max.

MATERIAL OF CONSTRUCTION

Sensing element	:	Bellows
Case & front panel	:	Steel, black painted
Bellows	:	Copper alloy
Shank	:	AISI 304 SS
Movement mechanism	:	Copper alloy
Dial	:	Aluminum, black powder coated, externally adjustable
Gaskets	:	Neoprene
Window	:	Plexi glass

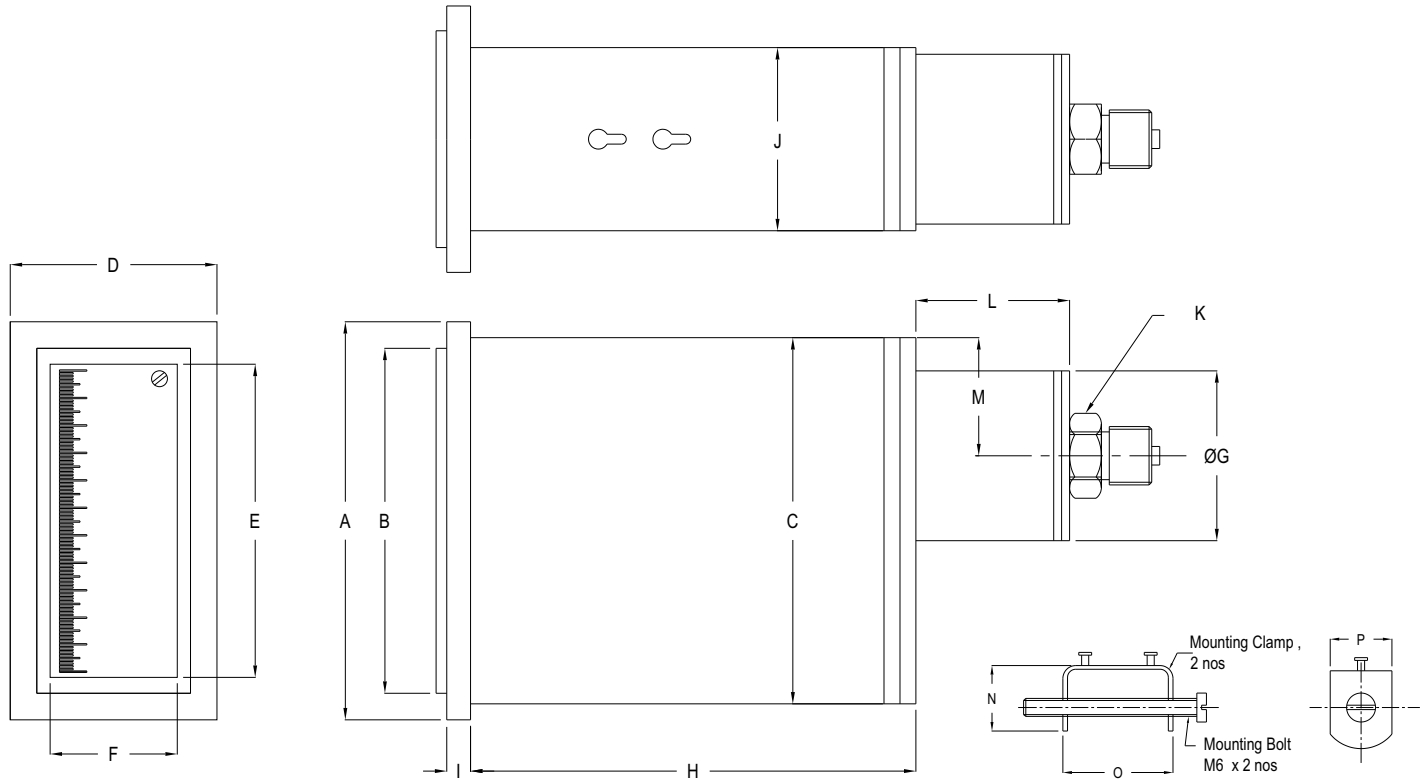
STANDARD SPECIFICATIONS

Dial size	:	150 x 78 mm / 200 x 104 mm
Range	:	-6,000...6,000 mmWC
Mounting pattern	:	Back connection with mounting bracket
Process connection	:	1/4" BSP (M)
Execution	:	Dry
Mounting bracket	:	1 Set.

TEMPERATURE EFFECT

When temperature of the measuring system deviates from reference temperature (+20°C) max error $\pm 0.4\%$ / 10K of true scale value.

DIMENSIONAL DRAWING



DN	A	B	C	D	E	F	ØG	H	I	J	K	L	M	N	O	P	Weight (Grams)
150 x 78	150	130	138	78	118	47	64	168	9	69	A/F 22	58	44.5	20	50	17.5	1500
200 x 104	200	180	188	78	168	47	64	168	9	69	A/F 22	58	44.5	20	50	17.5	1900

All dimensions are in mm.

ORDERING CODES

1. DIAL SIZE

- A6 150 x 78 mm
- A8 200 x 104 mm

A6

2. RANGE

- XXX Refer "Range Table"

XXX

3. MOUNTING PATTERN

- X9 Back entry with mounting bracket

X9

4. PROCESS CONNECTION

- 12N 1/4" NPT (M)
- 14N 1/2" NPT (M)
- 12B 1/4" BSP (M)
- 14B 1/2" BSP (M)

12B

5. INGRESS PROTECTION

- EV IP 54

EV

6. EXECUTION

- EA Dry

EA

7. OTHER OPTIONS

- TA 5 - point calibration certificate
- XF SS tag plate, AISI 304 SS
- XR Custom designed dial
- XT Dial tag marking

XX

Ordering Example : P804-A6-XXX-X9-12B-EV-EA

NOTES

- 1. For other connections, please contact factory.