

FEATURES

- Easy Installation
- External Mounting
- Top mountable

APPLICATION

- Underground storage tanks

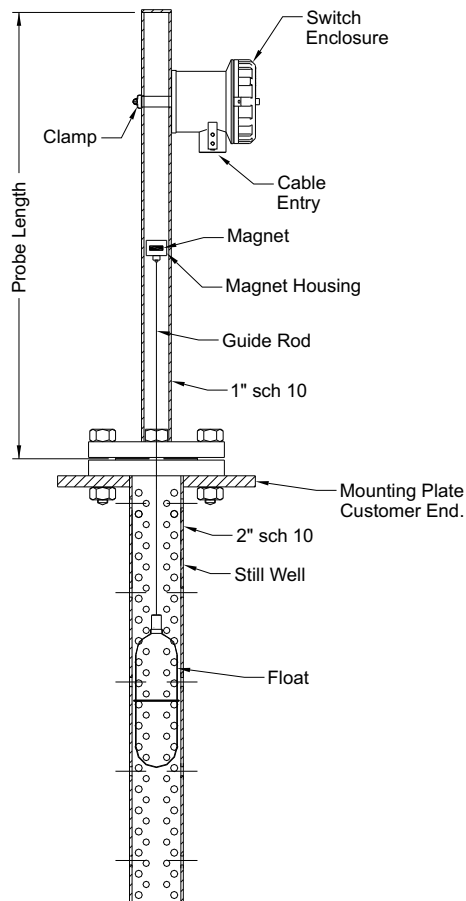
Field Adjustable Set-point



STANDARD SPECIFICATIONS

Process connection	:	Flanged
Center-to-Center distance	:	250 mm (Min.) up to 3,000 mm (Max.)
Still-well & chamber material	:	AISI 316 SS
Material of float	:	AISI 316 SS
Mounting	:	Top
Max. operating temperature	:	120°C
Max. operating pressure	:	10 bar
Min. Specific Gravity	:	0.75

DIMENSIONAL DRAWING



ORDERING CODES

1. TOP CHAMBER MATERIAL / FLOAT

MF AISI 316 SS

MF

2. TEMPERATURE RATING

T0 -20...120°C

T0

3. PRESSURE RATING

P0 0...10 bar

P0

4. PROCESS CONNECTION

A31 2" RF 150# as per ANSI B 16.5
A43 3" RF 150# as per ANSI B 16.5
A49 4" RF 150# as per ANSI B 16.5
A32 2" RF 300# as per ANSI B 16.5
A44 3" RF 300# as per ANSI B 16.5
A50 4" RF 300# as per ANSI B 16.5

A31

5. PROBE LENGTH

XXXX 200 mm up to 3,000 mm

1500

6. NUMBER OF SWITCHES

1 One
2 Two
3 Three
4 Four

1

7. TYPE OF SWITCH

LR1 1 SPST, 0.5 A / 230VAC, Reed switch
LM1 1 SPDT, 5A / 250VAC, Microswitch

LR1

8. SWITCHING ACTION & POINTS

P Point 1 with NO
Q Point 2 with NO
R Point 3 with NO
S Point 4 with NO
T Point 1 with NC
U Point 2 with NC
V Point 3 with NC
W Point 4 with NC

P500

9. SWITCH ENCLOSURE

BP Watherproof, IP 67
BQ Flame proof, IP 67, Gr IIA, IIB
BR Explosion proof, IP 67, Gr IIC
BU Ex-Proof to CSA, FM, ATEX [EEx-d]

BP

10. OTHER OPTIONS

7 Still Well, AISI 316 SS
KE Cable gland, double compression
 Weatherproof, Ni-plated brass
KG Cable gland, double compression
 Weatherproof, AISI 304 SS
KK Cable gland, double compression
 Flameproof, Ni-plated brass
KL Cable gland, double compression
 Flameproof, AISI 304 SS
TC Material test certificate 3.1
TP Performance test certificate
XF Tag plate, AISI 304 SS

XF

Ordering Example : L103-MF-T0-P0-A31-1500-1-LR1-P500-BP-H-XF

NOTES:

- For any special requirements, or special connections, please contact factory.
- Wetted parts includes float, still-well & process connection.