

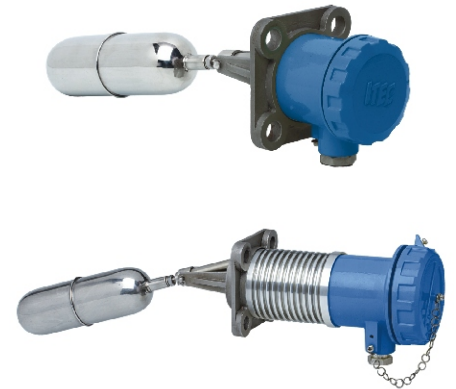
## FEATURES

- Economical version
- Side or Top mounting
- Rigid & easy installation
- High temperature version
- Point level switching (HI/LO)
- Adjustable differential version

## APPLICATION

- Power plants
- Chemicals process
- Water Treatment plant
- Hydro-Pneumatic Tanks

### Side / Top Mounted

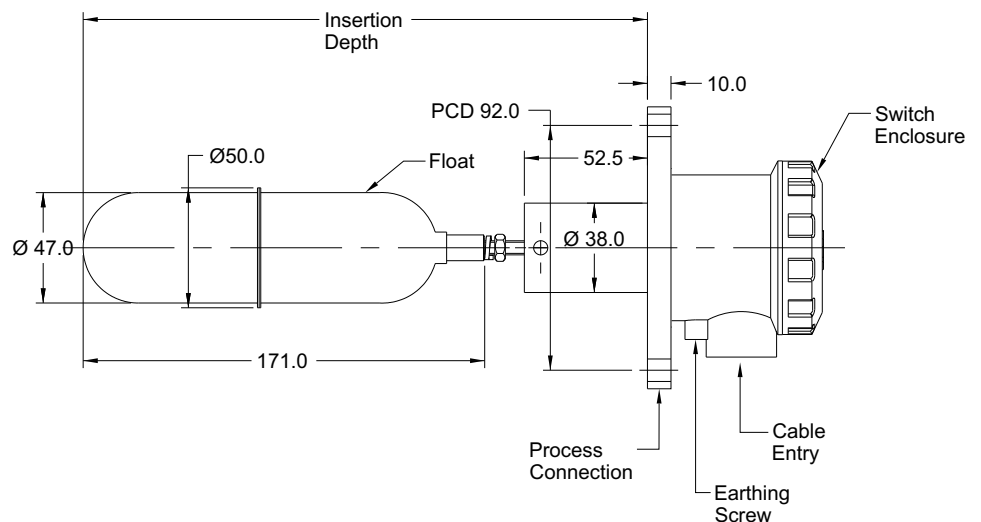


### STANDARD SPECIFICATIONS

Enclosure	:	Pressure die-cast Aluminum
Process connection	:	Flanged / Threaded
Material of Wetted parts	:	AISI 316 SS
Switch Type	:	Micro switch (SPDT)
Switch Rating	:	5A / 250VAC
Switching Differential	:	Fixed 3 ~ 30mm (max) Adjustable between 40...300mm (Optional)
Mounting	:	Side (Standard) / Top (Optional)
Cable entry	:	½" BSP (F) single compression gland
Float Diameter	:	47 mm (50 mm at welded seam)
Ingress Protection	:	IP 67
Max. Operating Temperature	:	Up to 120°C (Standard) High Temperature model upto 350°C (Optional)
Max. Operating Pressure	:	20 bar
Min. Specific Gravity	:	0.6 depending up on float material and dimension
Insertion Depth	:	235 mm (Minimum)

### DIMENSIONAL DRAWING

#### HG : Standard Version



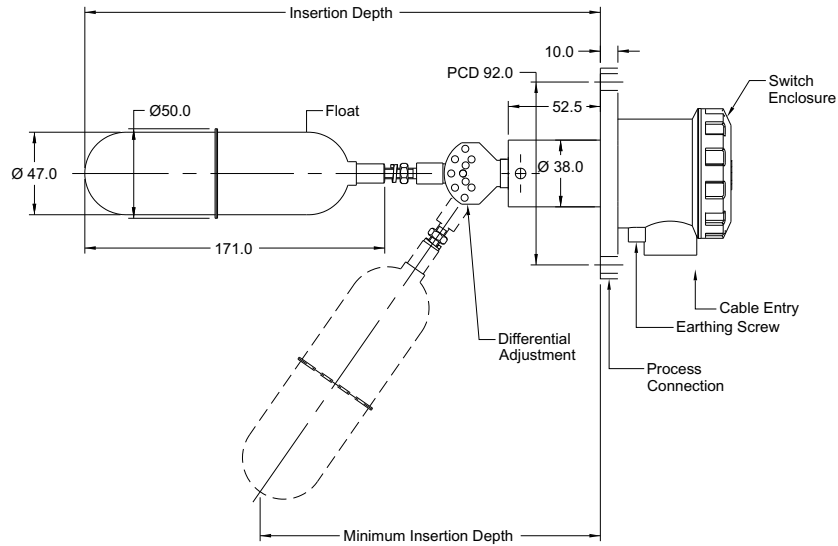
## APPROVALS



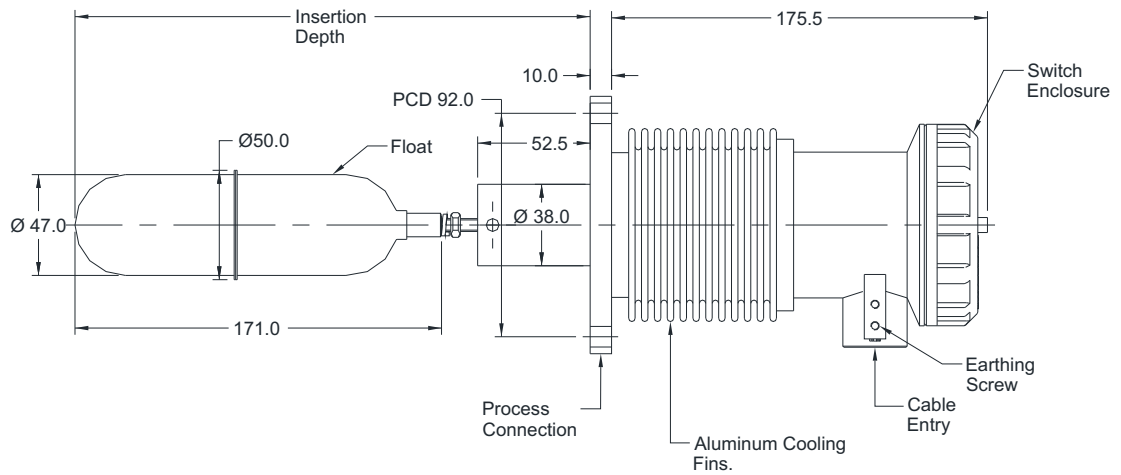
All dimensions are in mm.

DIMENSIONAL DRAWING

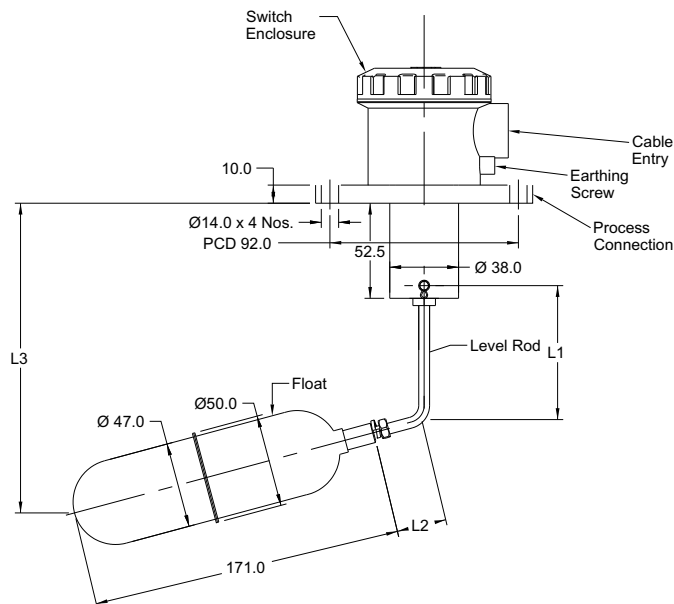
HA : Adjustable differential version



HH : High Temperature (Up to 350°C)



HP : Top Mounted Level Switch Special Application



All dimensions are in mm.

## ORDERING CODES

### 1. BASIC MODEL

- HG** General purpose version
- HA** Adjustable differential version
- HH** High temperature version
- HP** Top mounting version

**HG**

### 2. INSERTION DEPTH

- 235** Min. 235 mm to 300 mm
- 305** Min. 305 mm to 375 mm

**235**

### 3. MICRO SWITCH TYPE

- LM1** 1 SPDT, 5A / 250VAC
- LM2** 2 SPDT, 5A / 250VAC

**LM1**

### 4. SWITCH ENCLOSURE

- BP** Weatherproof, IP 67
- BQ** Flame proof, IP 67, Gr IIA, IIB
- BR** Explosion proof, IP 67, Gr IIC
- BU** Ex-Proof to CSA, FM, ATEX [EEx-d]

**BP**

### 5. WETTED PARTS / FLOAT

- MC** AISI 316 SS (Standard)
- M3** PVDF coated

**MC**

### 6. PROCESS CONNECTION

- E02** 92 mm PCD Square flange
- E03** 92 mm PCD Round flange
- E04** 92 mm PCD Sq. flange, forged
- 16N** 1" NPT (M)<sup>2</sup>
- 18N** 2" NPT (M)<sup>2</sup>
- 16B** 1" BSP (M)<sup>2</sup>
- 16B** 2" BSP (M)<sup>2</sup>
- A31** 2" RF 150# as per ANSI B 16.5
- A43** 3" RF 150# as per ANSI B 16.5
- A49** 4" RF 150# as per ANSI B 16.5
- A32** 2" RF 300# as per ANSI B 16.5
- A44** 3" RF 300# as per ANSI B 16.5
- A50** 4" RF 300# as per ANSI B 16.5

**E02**

### 7. OTHER OPTIONS

- XF** Tag plate, AISI 304 SS
- TC** Material test certificate 3.1
- TP** Performance test certificate
- KE** Cable gland, double compression  
Weatherproof, Ni-plated brass
- KG** Cable gland, double compression  
Weatherproof, AISI 304 SS
- KK** Cable gland, double compression  
Flameproof, Ni-plated brass
- KL** Cable gland, double compression  
Flameproof, AISI 304 SS

**XF**

**Ordering Example : L101-HG-235-LM1-BP-MC-E02-XF**

#### NOTES:

1. For any special requirements like other insertion lengths, or special connections, please contact factory.
2. Contact factory for further details.