

## FEATURES

- Compact design
- Sandwiched diaphragm
- Light weight
- Max. Pressure 10 bar

## APPLICATION

- Water treatment plants
- Produce water applications
- Acidic & Chlorine applications
- Sewage & Effluent treatment
- Desalination & Deionization

### Threaded



### STANDARD PARAMETERS

Accuracy	:	CL 1.6
Ambient temperature	:	-40...+65°C (without dampening liquid)
Service temperature	:	10...150°C max.
Pressure limits	:	Steady pressure up to FS value
Weld joints	:	TIG argon arc welding

### MATERIAL OF CONSTRUCTION

Sensing element	:	Diaphragm
Case & Ring material	:	AISI 304 SS (Bayonet type)
Bourdon tube & Shank	:	AISI 316L SS (Shank welded directly to case)
Movement mechanism	:	AISI 304 SS
Top chamber	:	Polypropylene (PP)
Seal gaskets	:	EPDM
Dial	:	Aluminum, black graduation on white background
Pointer	:	Micro-zero adjustable, aluminum, black powder coated
Gaskets & filling plug	:	Neoprene
Window	:	Safety glass

### STANDARD SPECIFICATIONS

Dial size	:	DN100 / DN150
Range	:	0...1bar to 0...10 bar
Mounting pattern	:	Direct, Bottom connection
Process connection	:	1/2" NPT (F)
Seal filling fluid	:	Silicon DC 200
Ingress protection	:	IP 65
Execution	:	Dry
Diaphragm	:	PTFE
Bottom chamber	:	PVC

### TEMPERATURE EFFECT

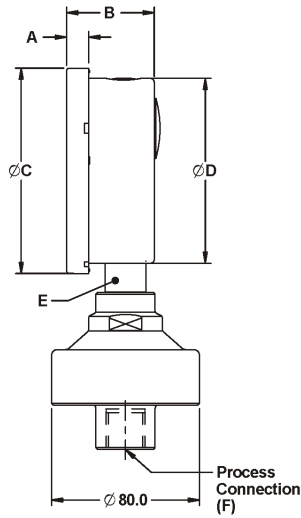
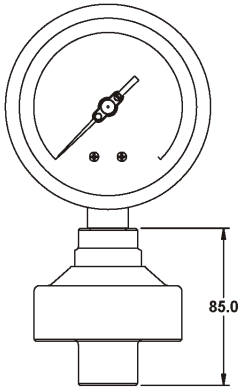
When temperature of the measuring system deviates from reference temperature (+20°C) max error  $\pm 0.4\%$  / 10K of true scale value.

## REFERENCE

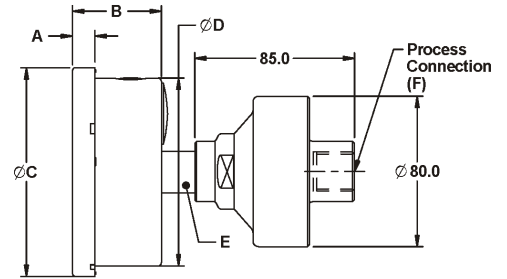
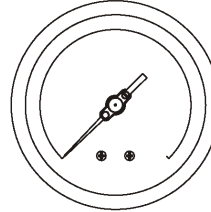
EN 837-1

## DIMENSIONAL DRAWING

Type B0



Type R0



DN	A	B	ØC	ØD	E	Weight (grams)
100	12	48	111	111	SQ.22	736
150	15	48	161	149	SQ.22	1130

All dimensions are in mm.

## ORDERING CODES

### 1. DIAL SIZE

<b>04</b>	100 mm / 4"
<b>06</b>	150 mm / 6"

### 2. RANGE

<b>XXX</b>	Refer "Range Table"
------------	---------------------

### 3. MOUNTING PATTERN

<b>B0</b>	Direct, Bottom connection
<b>R0</b>	Center, Back connection

### 4. PROCESS CONNECTION

<b>02B</b>	1/4" BSP (F)	<b>02N</b>	1/4" NPT (F)
<b>04B</b>	1/2" BSP (F)	<b>04N</b>	1/2" NPT (F)
<b>02M</b>	M20X1.5mm(F)		

### 5. INGRESS PROTECTION

<b>ER</b>	IP 65
-----------	-------

### 6. EXECUTION

<b>EA</b>	Dry
-----------	-----

### 7. DIAPHRAGM MATERIAL

<b>D2</b>	PTFE	<b>DM</b>	Monel 400
<b>DO</b>	Hastelloy C-276	<b>DQ</b>	Inconel 600
<b>DV</b>	Titanium	<b>DW</b>	Tantalum

### 8. BOTTOM CHAMBER MATERIAL

<b>N1</b>	PVC
<b>N2</b>	PTFE
<b>N4</b>	Polypropylene (PP)

### 9. SEALING FLUID

<b>OA</b>	Silicon DC 200 [-40°C to 205°C]
<b>OF</b>	Food grade oil [-20°C to 140°C]
<b>OG</b>	Glycerine [10°C to 150°C]

### 10. OTHER OPTIONS

<b>TA</b>	5 - point calibration certificate
<b>XR</b>	Custom designed dial
<b>XT</b>	Dial tag marking
<b>TC</b>	Material test certificate 3.1
<b>TM</b>	Material test certificate 2.2
<b>XG</b>	SS tag plate, AISI 316 SS
<b>XF</b>	SS tag plate, AISI 304 SS

Ordering Example : P705-04-XXX-B0-04N-ER-EA-D2-N1-OA-XX

### NOTES

- Other connections are available through adaptors.
- Remote mounting up to 3 meter is possible, contact Factory for further details.
- Available in DIN style case design, up on request, minimum quantity requirement check with Factory.