

## FEATURES

- Quick connect/disconnect
- Laser welded flush diaphragm
- Tri-clamp connection

## APPLICATION

- Food & beverages industries
- Dairy & Ice cream industries
- Pharmaceuticals & cosmetics

### Tri-clover

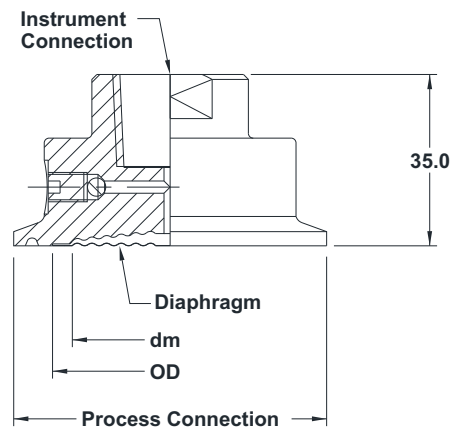


### STANDARD SPECIFICATIONS

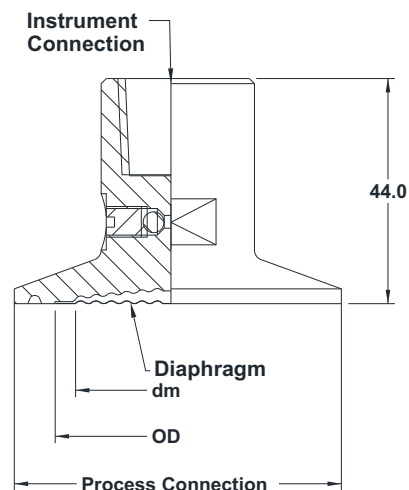
Range type	: -1...0 bar to 0...40 bar Tri-Clover
Chamber material	: AISI 316 SS
Diaphragm	: AISI 316L SS
Instrument connection	: 1/2" NPT (F) / 1/2" BSP (F)
Sealing fluid	: Food Grade oil [-20°C to 140°C]
Process connection	: 1" UP TO 2.5" Connection
Assembly	: Direct

### DIMENSIONAL DRAWING

Type S31



Type S32



All dimensions are in mm.

## ORDERING CODES

### 1. RANGE TYPE

**S31** -1...0 bar to 0...40 bar Tri-Clover  
**S32** -1...0 bar to 0...40 bar Tri-Clover  
 Refer range vs connection size table

**S31**

### 2. CHAMBER MATERIAL

**LF** AISI 316 SS  
**LG** AISI 316L SS

**LF**

### 3. DIAPHRAGM MATERIAL

**DG** AISI 316L SS

**DG**

### 4. INSTRUMENT CONNECTION

**03B** 3/8" BSP (F)<sup>1</sup>  
**04N** 1/2" NPT (F)<sup>1</sup>  
**02B** 1/4" BSP (F)  
**04B** 1/2" BSP (F)<sup>1</sup>  
**02N** 1/4" NPT (F)

**04N**

### 5. SEALING FLUID

**OF** Food grade oil [-20°C to 140°C]

**OG**

### 6. TRI-CLOVER CONNECTION

**T01** 1" Connection  
**T15** 1.5" Connection  
**T02** 2" Connection  
**T25** 2.5" Connection

**T15**

### 7. ASSEMBLY

**B8** Direct

**B8**

### 8. OTHER OPTIONS

**XZ** Dry seal  
**HL** Helium leak test  
**TM** Material test certificate 2.2  
**TC** Material test certificate 3.1  
**E7** 4" Bourdon tube system

**XX**

**Ordering Example : D301-S31-LF-DG-04N-OG-T15-B8**

## CONNECTION SIZE Vs RANGE CHART

Thread Size	1"	1 1/2"	2"	2 1/2"
"Diaphragm Size (OD/ED) in "mm"	35/25	38/32	48/40	62/52
Range (bar)	0...4 to 0...40	0...2 to 0...40	0...1 to 0...40	-1...0 to 0...40

## APPLICABLE ACCESSORIES

**A302** Tri-Clamp, Sealing Ring & Bottom part

### NOTES:

1. Available with 63 mm Bourdon tube system
2. For Tri-clamps, Sealing rings & Bottom mating parts, please refer model A302.
3. All metal diaphragms are laser welded to the Top Chamber.

## FEATURES

- Quick connect/disconnect
- Laser welded flush diaphragm
- DIN, SMS, RJT & IDF / ISS connections

## APPLICATION

- Food & beverages industries
- Dairy & Ice cream industries
- Pharmaceuticals & cosmetics

### Flush, Union-nut

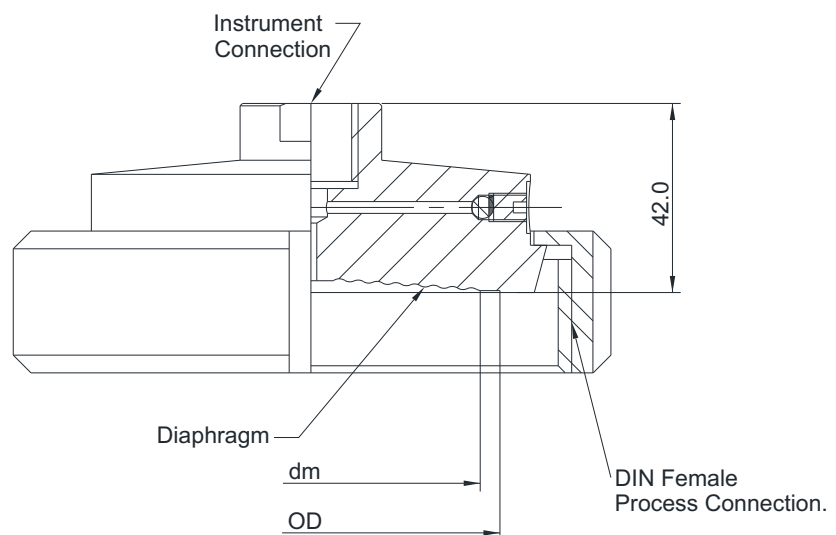


### STANDARD SPECIFICATIONS

Range type	: 1...40 bar
Chamber material	: AISI 316 SS
Diaphragm	: AISI 316L SS
Instrument connection	: 1/2" NPT (F) / 1/2" BSP (F)
Sealing fluid	: Food Grade oil [-20°C to 140°C]
Process connection	: Union-nut (DIN 11851 / SMS / RJT/APV / IDF/ISS)
Assembly	: Direct

### DIMENSIONAL DRAWING

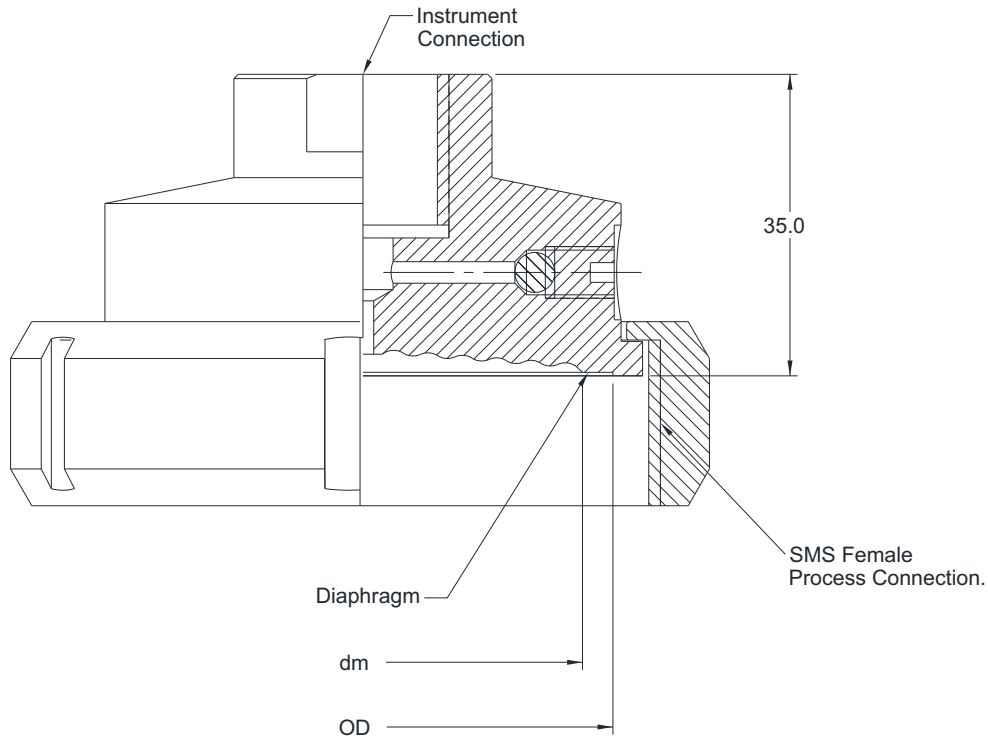
#### STANDARD : DIN 11851



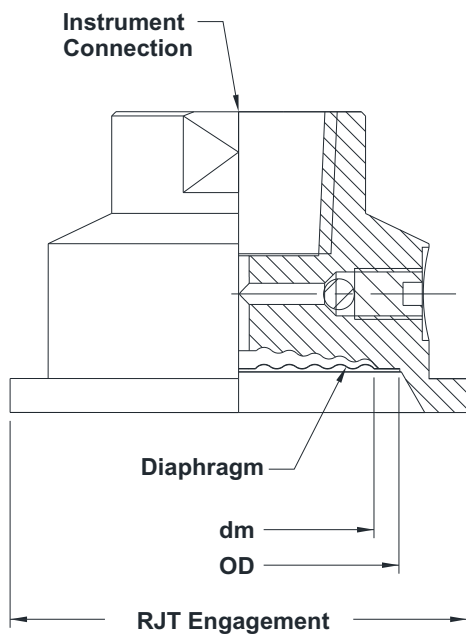
All dimensions are in mm.

DIMENSIONAL DRAWING

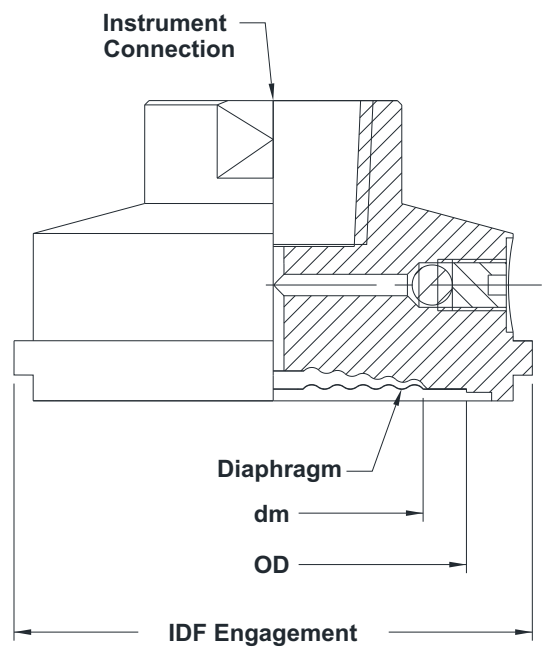
STANDARD : SMS



STANDARD : RJT / APV



STANDARD : IDF / ISS



## ORDERING CODES

<b>1. RANGE TYPE</b>		<b>S36</b>	<b>7. PROCESS CONNECTION (UNION NUT)</b>		<b>T15</b>	
<b>S36</b>	1...40 bar Refer range vs connection size table		<b>T01</b>	1" Connection (DN25)		
<b>2. STANDARD TYPE</b>		<b>T40</b>	<b>T14</b>	1¼" Connection (DN32)		
<b>T40</b>	DIN 11851		<b>T15</b>	1½" Connection (DN40)		
<b>T41</b>	SMS		<b>T02</b>	2" Connection (Dn50)		
<b>T42</b>	RTJ / APV		<b>T25</b>	2½" Connection (DN63)		
<b>T43</b>	IDF / ISS		<b>T03</b>	3" Connection (DN80)		
<b>3. CHAMBER MATERIAL</b>		<b>LF</b>	<b>8. ASSEMBLY</b>		<b>B8</b>	
<b>LF</b>	AISI 316 SS		<b>B8</b>	Direct		
<b>LG</b>	AISI 316L SS		<b>B9</b>	Remote (capillary)		
<b>4. DIAPHRAGM MATERIAL</b>		<b>DG</b>	<b>9. CAPILLARY</b>		<b>XX</b>	
<b>DG</b>	AISI 316L SS		<b>OU</b>	AISI 304 SS		
<b>5. INSTRUMENT CONNECTION</b>		<b>04N</b>	<b>OV</b>	AISI 316 SS		
<b>6. SEALING FLUID</b>			<b>OG</b>	<b>10. ARMOUR</b>		<b>XX</b>
<b>OF</b>	Food grade oil [-20°C to 140°C]			<b>OX</b>	AISI 304 SS	
				<b>OY</b>	AISI 316 SS	
				<b>OZ</b>	PVC (Ambient max. 60°C)	
				<b>11. REMOTE MOUNTING LENGTH</b>		
		<b>XXXX</b>		1000 mm up to 4000 mm		
			<b>12. OTHER OPTIONS</b>		<b>XX</b>	
		<b>XZ</b>	Dry seal			
		<b>HL</b>	Helium leak test			
		<b>TM</b>	Material test certificate 2.2			
			<b>TC</b>	Material test certificate 3.1		

Ordering Example : **D302-S36-T40-LF-DG-04N-OG-T15-B8**

## CONNECTION SIZE Vs RANGE CHART

DIN	Size	25	32	40	50	80
	"Diaphragm Size (OD/ED) in "mm"	35/25	38/32	48/40	59/52	80/72
	Range (bar)	0...4 to 0...40	0...2 to 0...40	0...1 to 0...40	0...1 to 0...40	-1...0 to 0...40
SMS	Size	1"	1 ½"	2"		
	"Diaphragm Size (OD/ED) in "mm"	30/23	45/36	58/51		
	Range (bar)	0...4 to 0...40	0...2 to 0...40	0...1 to 0...40		

## APPLICABLE ACCESSORIES

**A303 Sanitary connection ring/nut**

### NOTES:

1. All metal diaphragms are laser welded to the Top Chamber.

## FEATURES

- Quick connect/disconnect
- Laser welded flush diaphragm
- DIN, SMS, RJT & IDF / ISS connections

## APPLICATION

- Food & beverages industries
- Dairy & Ice cream industries
- Pharmaceuticals & cosmetics

### Flush, Threaded

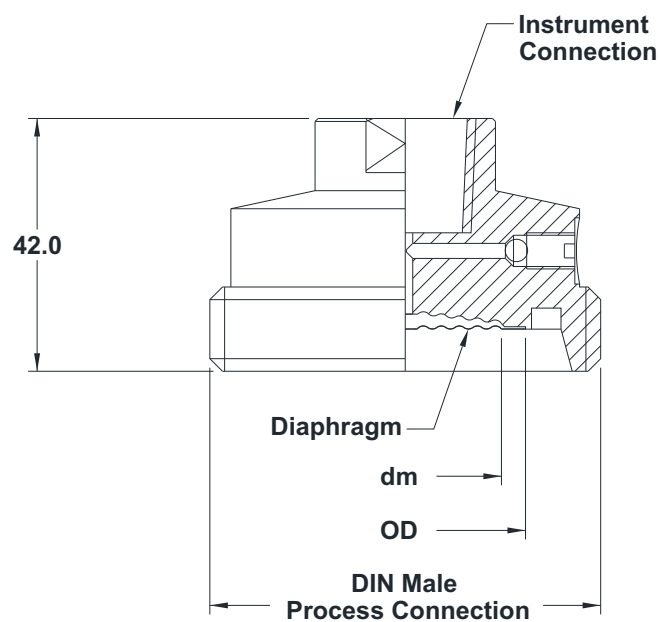


### STANDARD SPECIFICATIONS

Range type	: 1...40 bar
Chamber material	: AISI 316 SS
Diaphragm	: AISI 316L SS
Instrument connection	: 1/2" NPT (F) / 1/2" BSP (F)
Sealing fluid	: Food Grade oil [-20°C to 140°C]
Process connection	: Male thread (DIN 11851 / SMS / RJT/APV / IDF/ISS)
Assembly	: Direct

### DIMENSIONAL DRAWING

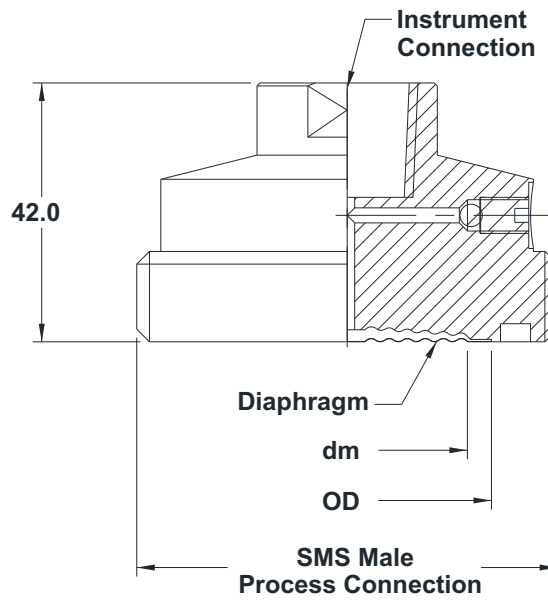
STANDARD : DIN 11851



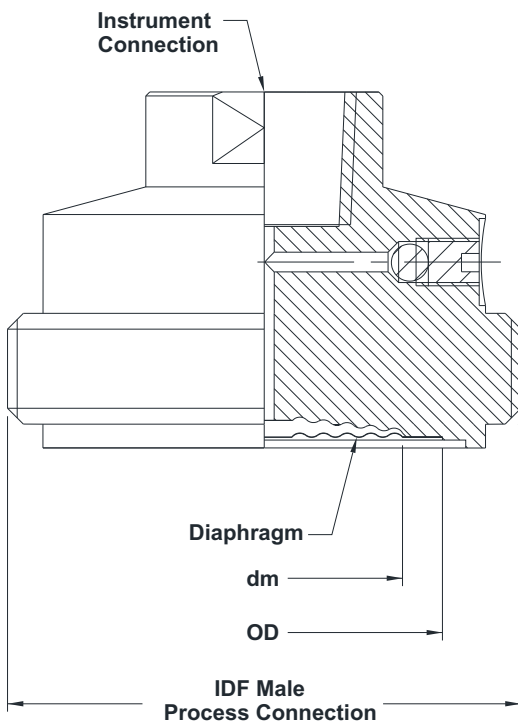
All dimensions are in mm.

DIMENSIONAL DRAWING

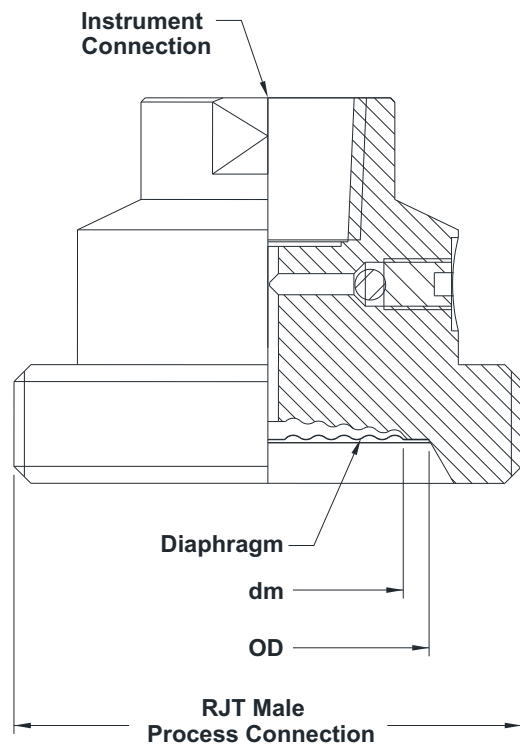
STANDARD : SMS



STANDARD : RJT / APV



STANDARD : IDF / ISS



## ORDERING CODES

<b>1. RANGE TYPE</b>		<b>S37</b>	<b>7. PROCESS CONNECTION (MALE THREAD)</b>		<b>T15</b>
<b>S37</b>	1...40 bar Refer range vs connection size table		<b>T01</b>	1" Connection (DN25)	
<b>2. STANDARD TYPE</b>		<b>T40</b>	<b>T14</b>	1¼" Connection (DN32)	
<b>T40</b>	DIN 11851		<b>T15</b>	1½" Connection (Dn40)	
<b>T41</b>	SMS		<b>T02</b>	2" Connection (Dn50)	
<b>T42</b>	RTJ / APV		<b>T25</b>	2½" Connection (DN63)	
<b>T43</b>	IDF / ISS		<b>T03</b>	3" Connection (DN80)	
<b>3. CHAMBER MATERIAL</b>		<b>LF</b>	<b>8. ASSEMBLY</b>		<b>B8</b>
<b>LF</b>	AISI 316 SS		<b>B8</b>	Direct	
<b>LG</b>	AISI 316L SS		<b>B9</b>	Remote (capillary)	
<b>4. DIAPHRAGM MATERIAL</b>		<b>DG</b>	<b>9. CAPILLARY</b>		<b>XX</b>
<b>DG</b>	AISI 316L SS		<b>OU</b>	AISI 304 SS	
<b>5. INSTRUMENT CONNECTION</b>		<b>04N</b>	<b>OV</b>	AISI 316 SS	
<b>03B</b>	3/8" BSP (F)		<b>10. ARMOUR</b>		<b>XX</b>
<b>04N</b>	½" NPT (F)		<b>OX</b>	AISI 304 SS	
<b>02B</b>	¼" BSP (F)		<b>OY</b>	AISI 316 SS	
<b>04B</b>	½" BSP (F)		<b>OZ</b>	PVC (Ambient max. 60°C)	
<b>02N</b>	¼" NPT (F)				
<b>6. SEALING FLUID</b>		<b>OG</b>	<b>11. REMOTE MOUNTING LENGTH</b>		<b>XXXX</b>
<b>OF</b>	Food grade oil [-20°C to 140°C]		<b>XXXX</b>	1000 mm up to 4000 mm	
			<b>12. OTHER OPTIONS</b>		<b>XX</b>
			<b>XZ</b>	Dry seal	
			<b>HL</b>	Helium leak test	
			<b>TM</b>	Material test certificate 2.2	
			<b>TC</b>	Material test certificate 3.1	

Rev 01

**Ordering Example : D303-S37-T40-LF-DG-04N-OG-T15-B8**

## CONNECTION SIZE Vs RANGE CHART

		25	32	40	50	80
<b>DIN</b>	Size					
	"Diaphragm Size (OD/ED) in "mm"	35/25	38/32	48/40	59/52	80/72
	Range (bar)	0...4 to 0...40	0...2 to 0...40	0...1 to 0...40	0...1 to 0...40	-1...0 to 0...40
<b>SMS</b>	Size	1"	1 ½"	2"		
	"Diaphragm Size (OD/ED) in "mm"	30/23	45/36	58/51		
	Range (bar)	0...4 to 0...40	0...2 to 0...40	0...1 to 0...40		

**NOTES:**

1. All metal diaphragms are laser welded to the Top Chamber.