

FEATURES

- " I " section extension type
- For flanges below 1½"
- Optional exotic materials

APPLICATION

- Separation systems
- Isolation applications
- Viscous & corrosive media
- High-pressure applications
- High vibration application

" I " section type

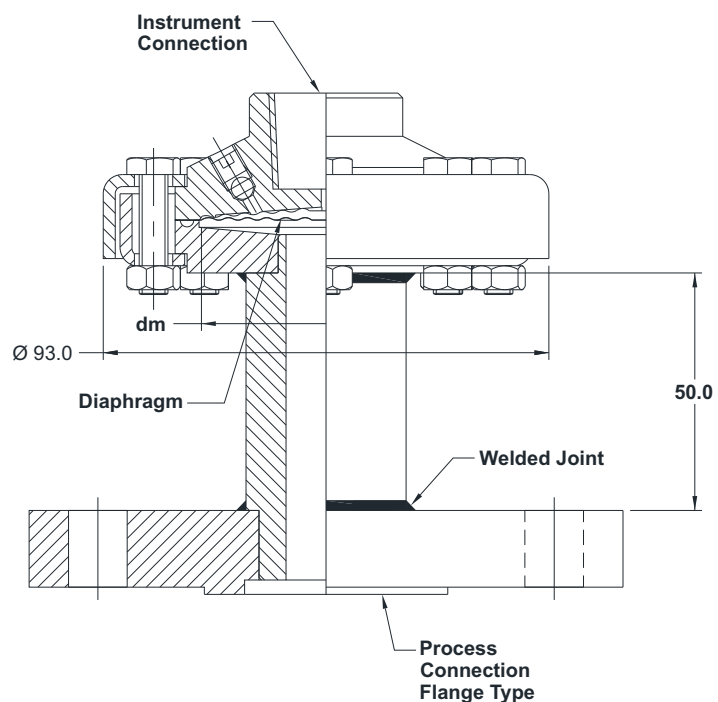


STANDARD SPECIFICATIONS

Range type	: -1...0 bar to 0...21 bar / -1...0 bar to 0...70 bar /
	: 100...400 bar
Top chamber material	: AISI 304 SS
Diaphragm	: AISI 316L SS
Gaskets	: PTFE
Bottom chamber material	: AISI 316 SS
Instrument connection	: ½" NPT (F) / ½" BSP (F)
Sealing fluid	: Silicon DC 200 (-40...205°C)
Process connection	: Flange as per ANSI B16.5 / EN1092-1 / JIS B 2210
Flange facing type	: Raised face
Coupling flanges & hardware	: Pressed Steel - Cup design (plated) / AISI 304 SS
Assembly	: Direct

DIMENSIONAL DRAWING

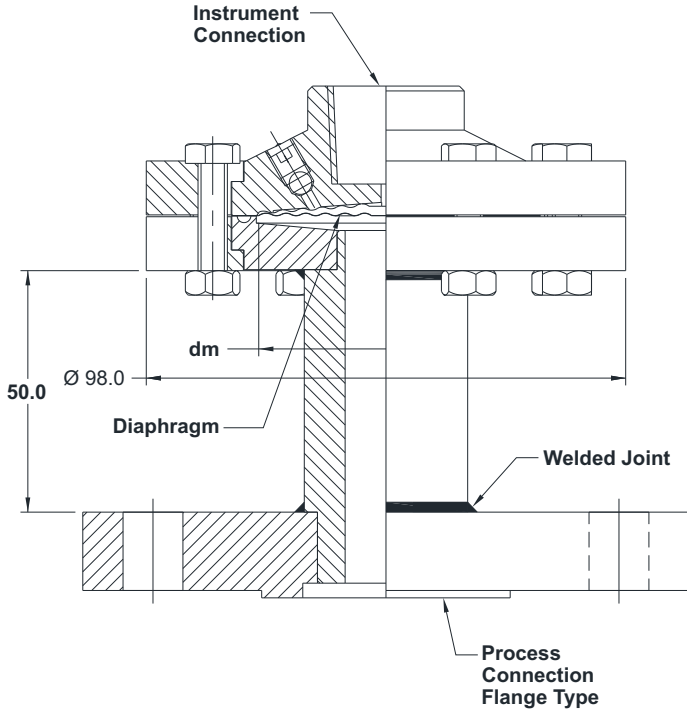
Type S21



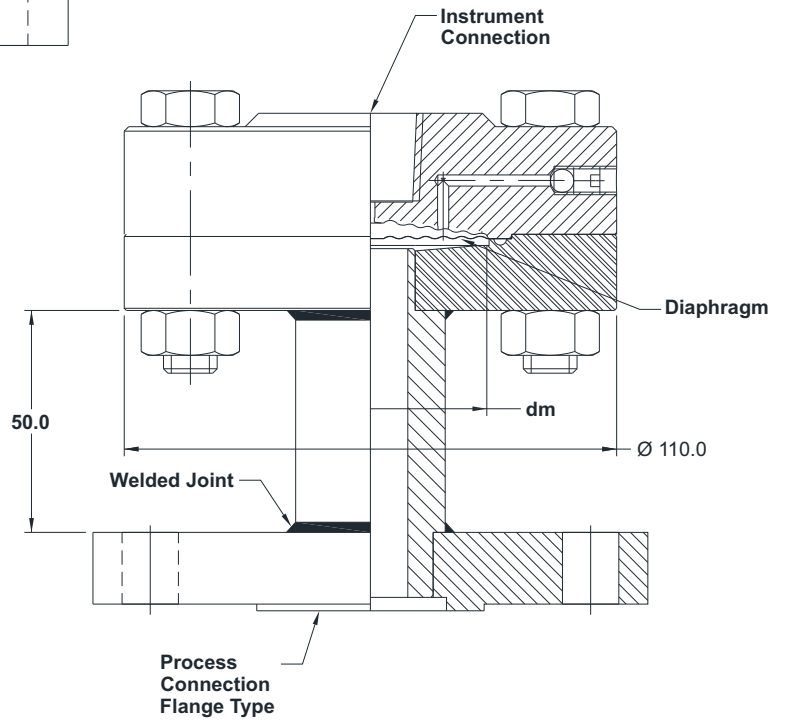
All dimensions are in mm.

DIMENSIONAL DRAWING

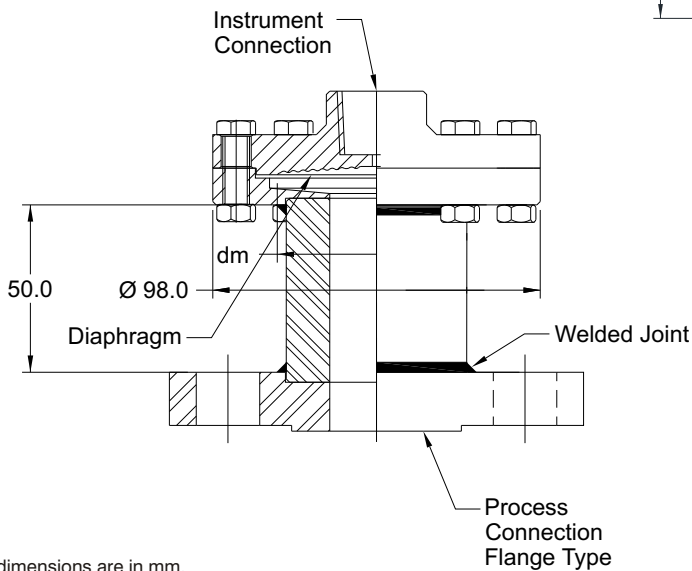
Type S22



Type S23



Type S23



All dimensions are in mm.

APPLICABLE ACCESSORIES

A301 Flushing Ring

ORDERING CODES

1. RANGE TYPE

S21	-1...0 bar to 0...21 bar
S22	-1...0 bar to 0...70 bar
S23	100...400 bar
S24	-1...0 bar to 0...70 bar

S21

2. TOP CHAMBER MATERIAL

LB	ASTM A105, Ni-plated
LC	AISI 304SS
LF	AISI 316 SS
LG	AISI 316L SS

LC

3. DIAPHRAGM MATERIAL

DG	AISI 316L SS	DM	Monel 400
DO	Hastelloy C-276	DQ	Inconel 600
DV	Titanium	DW	Tantalum
D8	Silver coated	D9	Gold Coated

DG

4. GASKETS

RP	PTFE	RM	Metal
-----------	------	-----------	-------

RP

5. BOTTOM CHAMBER MATERIAL (I-Section)

NB	ASTM A105	NC	AISI 304SS
NF	AISI 316 SS	NG	AISI 316L SS
NM	Monel 400	NO	Hastelloy C-276
NV	Titanium	NW	Tantalum
N1	PVC ¹	N3	PVDF ¹
N4	Polypropylene ¹	N2	PTFE ¹

NF

6. INSTRUMENT CONNECTION

03B	3/8" BSP (F)	04B	1/2" BSP (F)
02B	1/4" BSP (F)	04N	1/2" NPT (F)
02N	1/4" NPT (F)		

04N

7. SEALING FLUID

OA	Silicon DC 200 [-40°C to 205°C]
OF	Food grade oil [-20°C to 140°C]
OG	Glycerine [10°C to 150°C]
OI	Syltherm 800 [-40°C to 315°C]
OL	Silicon DC 710 [7°C to 371°C]

OA

8. PROCESS CONNECTION

XXX	Refer Flange Table for the codes
------------	----------------------------------

A13

9. FLANGE FACING

F	Flat Face
J	Ring-Type Joint
R	Raised Face
T	Tongue and Groove (T&G)

R

10. COUPLING FLANGES & HARDWARES³

LA	ASTM A105 / CS with Black powder coated ³
LD	AISI 304SS
LH	AISI 316 SS

LA

11. PROTECTION ON WETTED PARTS

PA	PTFE lining on bottom chamber ⁵
PB	PTFE protection for diaphragm
PC	PTFE coating on diaphragm or wetted parts

PA

12. ASSEMBLY

B8	Direct
B9	Remote (capillary)

B8

13. CAPILLARY

OU	AISI 304SS	OV	AISI 316 SS
-----------	------------	-----------	-------------

XX

14. ARMOUR

OX	AISI 304SS	OY	AISI 316 SS
OZ	PVC (Ambient max. 60°C)		

XX

15. REMOTE MOUNTING LENGTH

XXXX	1000 mm up to 6000 mm
-------------	-----------------------

XXXX

16. OTHER OPTIONS

XZ	Dry seal
HL	Helium leak test
TM	Material test certificate 2.2
TC	Material test certificate 3.1

XX

Ordering Example : D201-S21-LC-DG-RP-NF-04N-OA-A13-R-LA-XX-B8

NOTES:

1. Pressure rating up to 10 bar. Consult factory for details.
2. Other sealing liquids are available, contact factory for further details.
3. Not applicable with option PA & PC.
4. All metal diaphragms are laser welded to the Top Chamber.
5. While choosing option PA for diaphragm DG, option PB has to be selected mandatory.

FEATURES

- Large volume type design
- Flushed diaphragm
- Laser welded diaphragm
- Optional flushing ring
- Optional exotic materials

APPLICATION

- Separation systems
- Isolation applications
- Viscous & corrosive media
- High-pressure applications
- High vibration application

Flushed Diaphragm

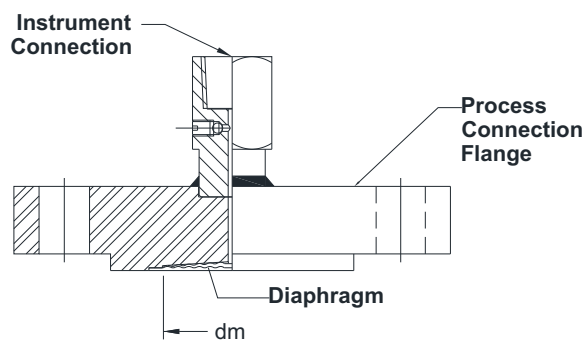


STANDARD SPECIFICATIONS

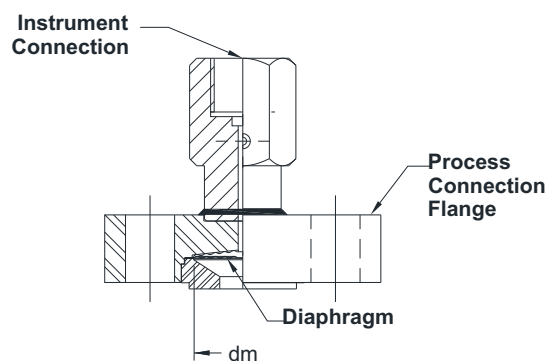
Range type	: -1...0 bar to 0...400 bar
Chamber / Flange material	: AISI 316 SS
Diaphragm	: AISI 316L SS
Instrument connection	: 1/2" NPT (F) / 1/2" BSP (F)
Sealing fluid	: Silicon DC 200 (-40...205°C)
Process connection	: Flange as per ANSI B16.5 / EN1092-1 / JIS B 2210
Flange facing type	: Raised face
Assembly	: Direct

DIMENSIONAL DRAWING

Type S45



Type S46



ORDERING CODES

1. RANGE TYPE

S45	-1...400 bar (Flange 1.5" & above)
S46	4...400bar (Flange ½" to 1")

S46

2. CHAMBER / FLANGE MATERIAL

LB	ASTM A105	LC	AISI 304 SS
LF	AISI 316 SS	LG	AISI 316L SS
LM	Monel 400	LO	Hastelloy C-276
LV	Titanium	LW	Tantalum

LC

3. DIAPHRAGM MATERIAL

DG	AISI 316L SS	DM	Monel 400
DO	Hastelloy C-276	DV	Titanium
DW	Tantalum		

DG

4. INSTRUMENT CONNECTION

03B	3/8" BSP (F)	04N	½" NPT (F)
02B	¼" BSP (F)	04B	½" BSP (F)
02N	¼" NPT (F)		

04N

5. SEALING FLUID

OA	Silicon DC 200 [-40°C to 205°C]
OF	Food grade oil [-20°C to 140°C]
OG	Glycerine [10°C to 150°C]
OI	Syltherm 800 [-40°C to 315°C]
OL	Silicon DC 710 [7°C to 371°C]

OA

6. PROCESS CONNECTION

XXX	Refer Flange Table for the codes
------------	----------------------------------

A25

7. FLANGE FACING

F	Flat Face
J	Ring-Type Joint
R	Raised Face
T	Tongue and Groove (T&G)

R

8. PROTECTION ON WETTED PARTS

PA	PTFE coating on flange
PC	PTFE coating on diaphragm

XX

9. ASSEMBLY

B8	Direct
B9	Remote (capillary)

XX

10. CAPILLARY

OU	AISI 304 SS	OV	AISI 316 SS
-----------	-------------	-----------	-------------

XX

11. ARMOUR

OX	AISI 304 SS	OY	AISI 316 SS
OZ	PVC (Ambient max. 60°C)		

XX

12. REMOTE MOUNTING LENGTH

XXXX	1000 mm up to 6000 mm
-------------	-----------------------

XXXX

13. OTHER OPTIONS

XZ	Dry seal
HL	Helium leak test
TM	Material test certificate 2.2
TC	Material test certificate 3.1

XX

Ordering Example : D202-S45-LC-DG-04N-OA-A25-R-XX-B8

APPLICABLE ACCESSORIES

A301	Flushing Ring
-------------	---------------

MOUNTING KITS

Hardware	Bolt / Nut / Washer
Flanges	Suitable mating type
Gaskets	Metal / Graphoil

NOTES:

- Other sealing liquids are available, contact factory for further details.
- All metal diaphragms are laser welded to the Top Chamber.

FEATURES

- Laser welded diaphragm
- Optional flushing ring
- Optional exotic materials

APPLICATION

- Separation systems
- Isolation applications
- Viscous & corrosive media
- High-pressure applications
- High vibration application

Insert Diaphragm

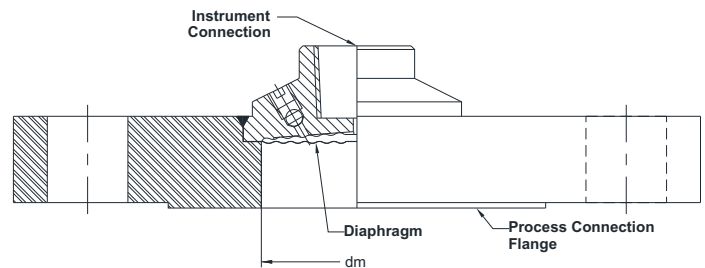


STANDARD SPECIFICATIONS

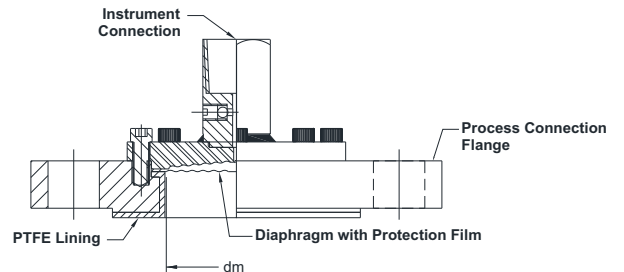
Range type	: -1...0 bar to 0...250 bar
Top chamber material	: AISI 304 SS
Diaphragm	: AISI 316L SS
Gaskets	: PTFE
Flange material	: AISI 316 SS
Instrument connection	: 1/2" NPT (F) / 1/2" BSP (F)
Sealing fluid	: Silicon DC 200 (-40...205°C)
Process connection	: Flange as per ANSI B16.5 / EN1092-1 / JIS B 2210
Flange facing type	: Raised face
Assembly	: Direct

DIMENSIONAL DRAWING

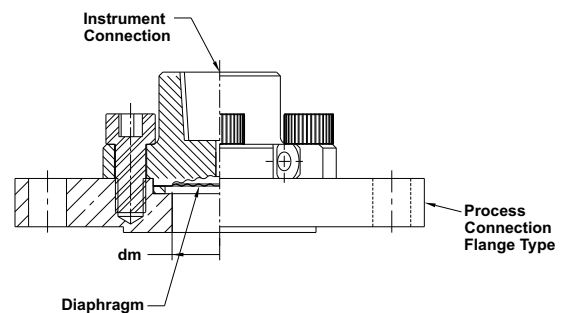
Type S26



Type S27



Type S28



ORDERING CODES

1. RANGE TYPE

S26	-1...0 bar & 0...250 bar (Non PTFE lined)
S27	-1...0 bar & 0...40 bar (PTFE lined)
S28	-1...0 bar & 0...40 bar

S26

2. TOP CHAMBER MATERIAL

LB	ASTM A105	LC	AISI 304 SS
LF	AISI 316 SS	LG	AISI 316L SS

LC

3. DIAPHRAGM MATERIAL

DG	AISI 316L SS	DM	Monel 400
DO	Hastelloy C-276	DV	Titanium
DW	Tantalum	D8	Silver coated
D2	PTFE		

DG

4. GASKETS (for S27 & S28)

RP	PTFE	RM	Metal
-----------	------	-----------	-------

RP

5. FLANGE MATERIAL

NB	ASTM A105	NC	AISI 304 SS
NF	AISI 316 SS	NG	AISI 316L SS
NM	Monel 400	NO	Hastelloy C-276
NV	Titanium	NW	Tantalum

NF

6. INSTRUMENT CONNECTION

03B	3/8" BSP (F)	04N	1/2" NPT (F)
02B	1/4" BSP (F)	04B	1/2" BSP (F)
02N	1/4" NPT (F)		

04N

7. SEALING FLUID

OA	Silicon DC 200 [-40°C to 205°C]
OF	Food grade oil [-20°C to 140°C]
OG	Glycerine [10°C to 150°C]
OI	Syltherm 800 [-40°C to 315°C]
OL	Silicon DC 710 [7°C to 371°C]

OA

8. PROCESS CONNECTION

XXX Refer Flange Table for the codes

A25

9. FLANGE FACING

F	Flat Face
J	Ring-Type Joint
R	Raised Face
T	Tongue and Groove (T&G)

R

10. COUPLING FLANGES & HARDWARES

LD	AISI 304 SS	LH	AISI 316 SS
-----------	-------------	-----------	-------------

LA

11. PROTECTION ON WETTED PARTS

PA	PTFE lining on bottom chamber / Flange
PB	PTFE protection for diaphragm
PC	PTFE coating on diaphragm or wetted parts

XX

12. ASSEMBLY

B8	Direct
B9	Remote (capillary)

B8

13. CAPILLARY

OU	AISI 304 SS	OV	AISI 316 SS
-----------	-------------	-----------	-------------

XX

14. ARMOUR

OX	AISI 304 SS	OY	AISI 316 SS
OZ	PVC (Ambient max. 60°C)		

XX

15. REMOTE MOUNTING LENGTH

XXXX 1000 mm up to 6000 mm

XXXX

16. OTHER OPTIONS

XZ	Dry seal
HL	Helium leak test
TM	Material test certificate 2.2
TC	Material test certificate 3.1

XX

Ordering Example : D203-S26-LC-DG-RP-NF-04N-OA-A25-R-LA-XX-B8

APPLICABLE ACCESSORIES

A301 Flushing Ring

MOUNTING KITS

Hardware Bolt / Nut / Washer
Gaskets Metal / Graphoil
Flanges Suitable mating type

NOTES:

- Other sealing liquids are available, contact factory for further details.
- With PTFE lining please select coupling Flanges & Hardware.
- All metal diaphragms are laser welded to the Top Chamber.

FEATURES

- Extended neck design
- Laser welded diaphragm
- Optional exotic materials

APPLICATION

- Separation systems
- Isolation applications
- Viscous & corrosive media
- High-pressure applications
- High vibration application
- Slurry applications

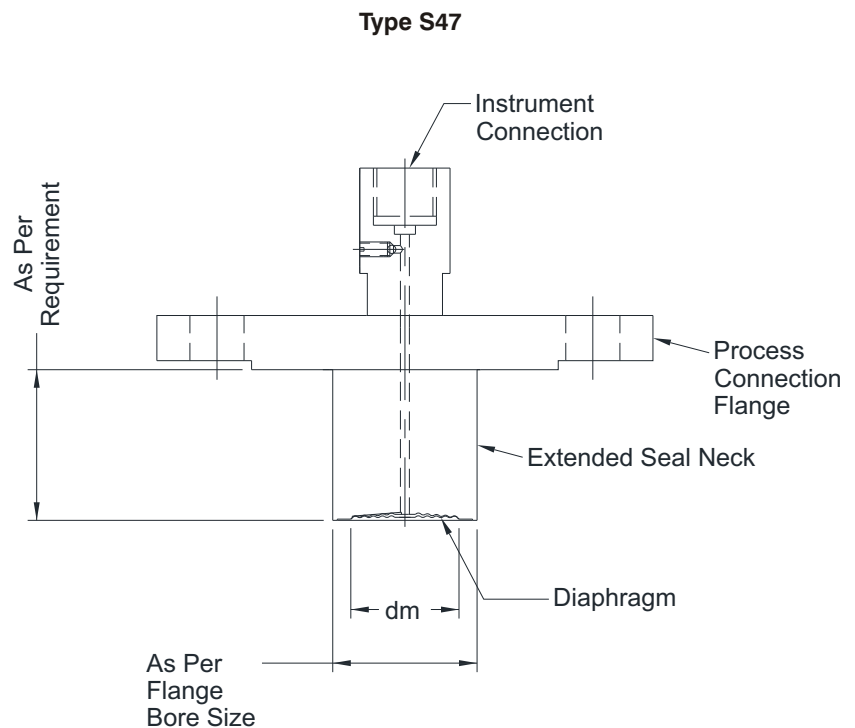
Extended Neck



STANDARD SPECIFICATIONS

Range type	: -1...0 bar to 0...250 bar
Chamber / Flange material	: AISI 316 SS
Diaphragm	: AISI 316L SS
Instrument connection	: 1/2" NPT (F) / 1/2" BSP (F)
Sealing fluid	: Silicon DC 200 (-40...205°C)
Process connection	: Flange as per ANSI B16.5 / EN1092-1 / JIS B 2210
Flange facing type	: Raised face
Neck extension	: 50...300 mm
Assembly	: Direct

DIMENSIONAL DRAWING



All dimensions are in mm.

ORDERING CODES

1. RANGE TYPE		S47	8. PROTECTION ON WETTED PARTS		XX	
S47	-1...250 bar		PA	PTFE coating on flange		
2. CHAMBER / FLANGE MATERIAL		LF	PC	PTFE coating on diaphragm		
3. DIAPHRAGM MATERIAL			DG	9. NECK EXTENSION		100
LF	AISI 316 SS			XXX	50mm up to 200 mm	
LG	AISI 316L SS			10. ASSEMBLY		B8
LM	Monel 400			B8	Direct	
LO	Hastelloy C-276			B9	Remote (capillary)	
LU	AISI 316L SS, UREA GRADE	11. CAPILLARY		XX		
4. INSTRUMENT CONNECTION		04N	OU		AISI 304 SS	
DG	AISI 316L SS		12. ARMOUR		XX	
DM	Monel 400		OX	AISI 304 SS		
DO	Hastelloy C-276		OY	AISI 316 SS		
DU	AISI 316L SS, UREA GRADE		OZ	PVC (Ambient max. 60°C)		
5. SEALING FLUID			0A	13. REMOTE MOUNTING LENGTH		XXXX
03B	3/8" BSP (F)	XXXX		1000 mm up to 4000 mm		
04N	1/2" NPT (F)	14. OTHER OPTIONS		XX		
02B	1/4" BSP (F)	XZ			Dry seal	
04B	1/2" BSP (F)	HL			Helium leak test	
02N	1/4" NPT (F)	TM			Material test certificate 2.2	
6. PROCESS CONNECTION		A25	TC		Material test certificate 3.1	
XXX	Refer Flange Table for the codes		7. FLANGE FACING			
7. FLANGE FACING		R	F	Flat Face		
F	Flat Face		J	Ring-Type Joint		
J	Ring-Type Joint		R	Raised Face		
R	Raised Face		T	Tongue and Groove (T&G)		
T	Tongue and Groove (T&G)					

Ordering Example : D204-S47-LF-DG-04N-OA-A25-R-XX-100-B8

NOTES:

- Other sealing liquids are available, contact factory for further details.
- All metal diaphragms are laser welded to the Top Chamber.