

# TECHNICAL DATA SHEET

## OUTSTANDING FEATURES

- ◆ DC or AC powered.
- ◆ Pulse and analog output scaled per unit of measure.
- ◆ Optional Hi and Lo alarms.
- ◆ Flowmeter Linearization.
- ◆ Factory configured when purchased with a Hoffer flowmeter.
- ◆ Several Enclosure options.
- ◆ CE Compliant.
- ◆ Windows® Configuration Software

## PRODUCT DESCRIPTION

The CAT3 is a DC or AC powered, microprocessor controlled transmitter. It outputs a pulse scaled per unit of flow, and analog signal proportional to flow rate. The CAT3 can be configured with High and Low alarms.

## SPECIFICATIONS

<b>Input Signal Type:</b>	Magnetic pickup, MCP pickup, Contact Closure, Pulse.
<b>Input Frequency Range:</b>	0.2 Hz to 4 KHz.
<b>Signal Level:</b>	10 mV rms to 30 Vdc.
<b>Power Supply:</b>	13-30 Vdc, 100-240 Vac. Reverse polarity protection.
<b>Analog Output:</b>	4-20mA, 1-5V. 24mA overflow condition.
<b>Load Resistance:</b>	Max 650 Ohms at 24 Vdc.
<b>Accuracy:</b>	±0.02% of full scale.
<b>Temperature Drift:</b>	40 ppm/deg. C.
<b>Pulse Output:</b>	0-5V, 0-10V, Open Collector, AC Square. Internal pull up 10 k Ohms. Recommended minimum load resistance 50 k Ohms.
<b>Pulse Scaling:</b>	Divide by 1, 10, 100 per flow unit of measure.
<b>Hi/Lo Alarm:</b>	Relay (2A, 30Vdc), 0-5V, Open Collector (0.5A, 30V).

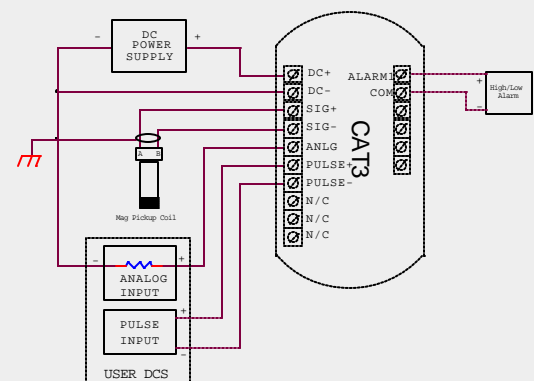


<b>Communications:</b>	RS232 port for configuration and diagnostics.
<b>Operating Temperature:</b>	-40° to +185°F. -40° to +85°C.
<b>Humidity:</b>	0-90% Non-Condensing.
<b>Enclosure:</b>	Extruded Aluminum. DIN Rail Mount. Explosion-Proof. CE Compliant.
<b>Regulatory:</b>	CE Compliant.

**Up to 20 Point Linearization.**

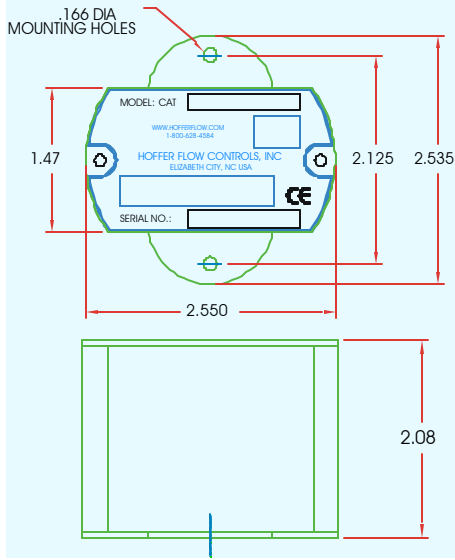
**Windows® configuration software for device configuration, diagnostics and monitoring.**

## INSTALLATION WIRING

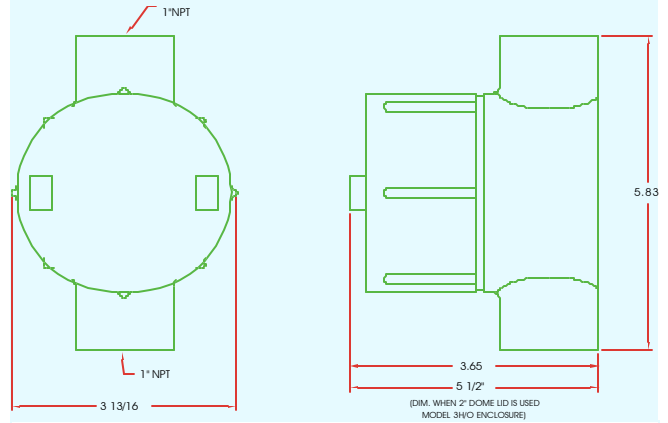


# ENCLOSURE OPTIONS

## General Purpose Enclosure

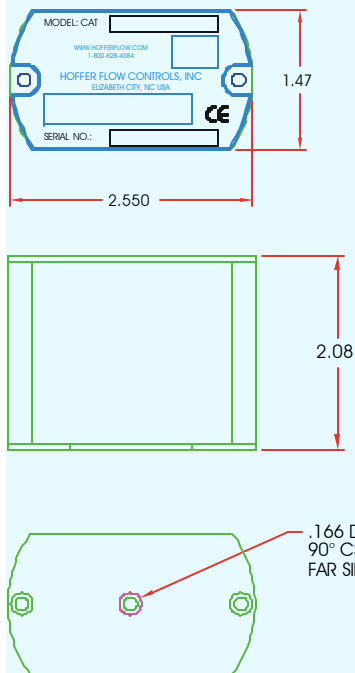


## 3/0 Explosion-Proof Enclosure

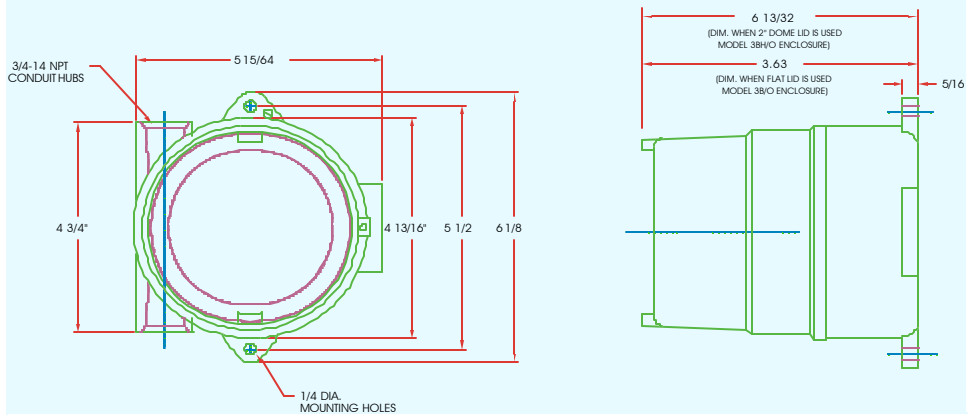


Enclosure meets Class I, Groups C & D. Class II, Groups E, F & G. Nema 4X with O-Ring, UL and CSA Approved.

## Din Rail Enclosure

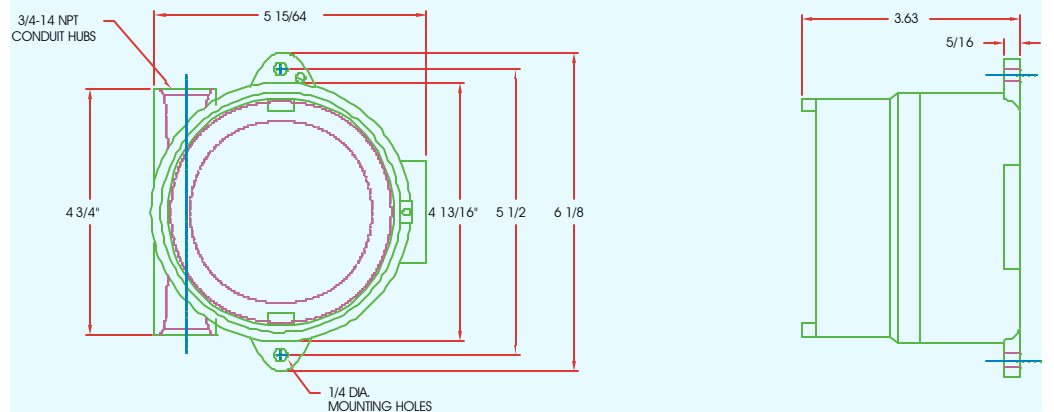


## 3B/0 Explosion-Proof Enclosure



Enclosure meets Class I, Div 1 & 2, Groups A, B, C & D. Class 1, Zones 1 & 2, Groups IIB + H2 IIA. Class II, Div 1 & 2 Groups E, F & G. Class III. Nema 3, 4 7(B, C, D) 9(E, F, G). Cenelec EEx d IIC IP66, UL, CSA, FM Approved.

## 3B/0-ATEX Explosion-Proof Enclosure



Enclosure meets Class I, Div 1 & 2, Groups A, B, C & D. Class 1, Zones 1 & 2, Groups IIB + H2 IIA. Class II, Div 1 & 2 Groups E, F & G. Class III. Nema 3, 4 7(B, C, D) 9(E, F, G). Cenelec EEx d IIC IP66, UL, CSA, FM Approved. ATEX Certified.

# HOFFER FLOW CONTROLS, INC.

107 Kitty Hawk Lane, P. O. Box 2145, Elizabeth City, NC 27906-2145  
 800-628-4584 252-331-1997 FAX 252-331-2886  
 www.hofferflow.com email: info@hofferflow.com

The specifications contained herein are subject to change without notice and any user of said specifications should verify from the manufacturer that the specifications are currently in effect. Otherwise, the manufacturer assumes no responsibility for the use of specifications which may have been changed and are no longer in effect.

The quality system covering the design, manufacture and testing of our products is certified to International Standard ISO 9001.

