

TECHNICAL DATA SHEET

OUTSTANDING FEATURES

- ◆ DC or AC powered transmitter.
- ◆ Pulse and analog output.
- ◆ Optional Hi and Lo alarms.
- ◆ Factory configured when purchased with a Hoffer flowmeter.
- ◆ Several Enclosure options.
- ◆ CE Compliant.

PRODUCT DESCRIPTION

The CAT2 is a versatile DC or AC powered transmitter that can be interfaced with any Hoffer flow sensor. It provides a pulse output and an analog signal proportional to the flow rate. The CAT2 can be configured with High and Low alarms.

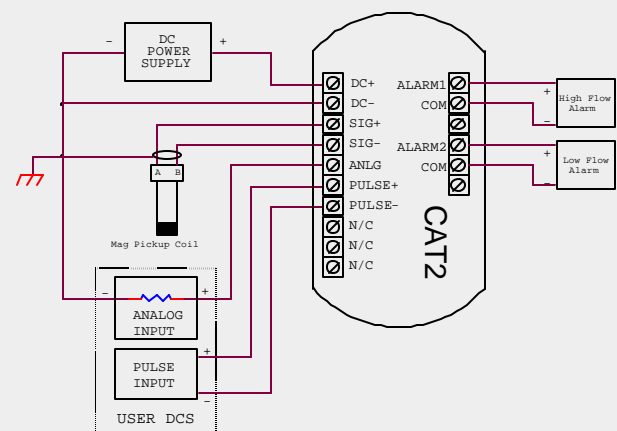
SPECIFICATIONS

Input Signal Type:	Magnetic pickup, MCP pickup, Contact Closure, Pulse.
Input Frequency Range:	0.2 Hz to 4 KHz.
Signal Level:	10 mV rms to 30 Vdc.
Power Supply:	13-30 Vdc, 100-240 Vac. Reverse polarity protection.
Analog Output:	4-20mA, 1-5V, 0-5V, 0-10V.
Load Resistance:	Max 550 Ohms at 24 Vdc.
Accuracy:	±0.1% of full scale.
Temperature Drift:	200 ppm/deg. C.
Zero and Span Adjustments	
Pulse Output:	0-5, 0-10V, Open Collector, AC Square. Internal pull up 10 k Ohms. Recommended minimum load resistance 50 k Ohms.
Pulse Scaling:	Divide by 2,4,8,16,32.



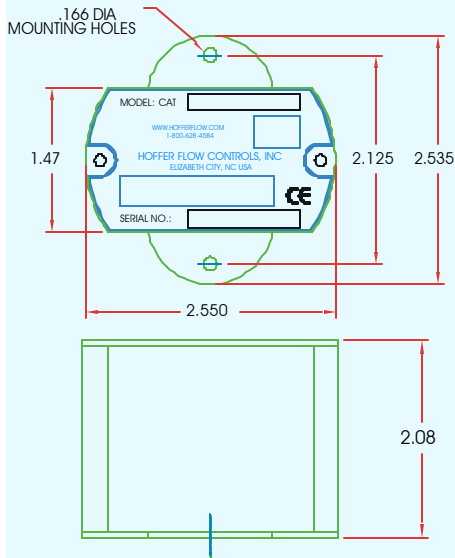
Hi/Lo Alarm:	Relay (2A, 30Vdc), 0-5V, Open Collector (0.5A, 30V).
Operating Temperature:	-40° to +185°F. -40° to +85°C.
Humidity:	0-90% Non-Condensing.
Enclosure:	Extruded Aluminum. DIN Rail Mount. Explosion-Proof.
Regulatory:	CE Compliant.

INSTALLATION WIRING

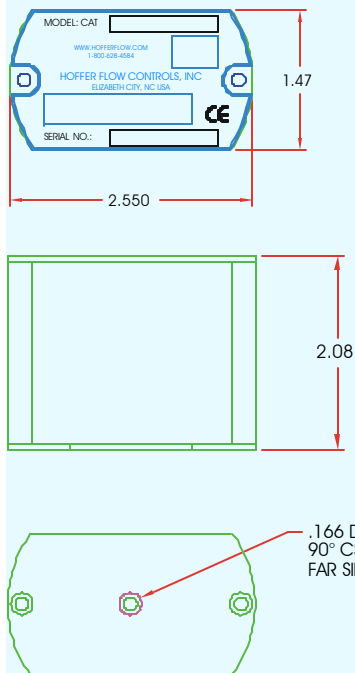


ENCLOSURE OPTIONS

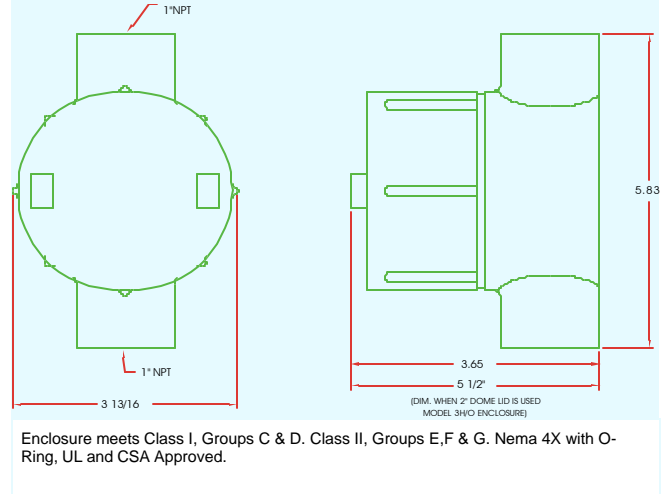
General Purpose Enclosure



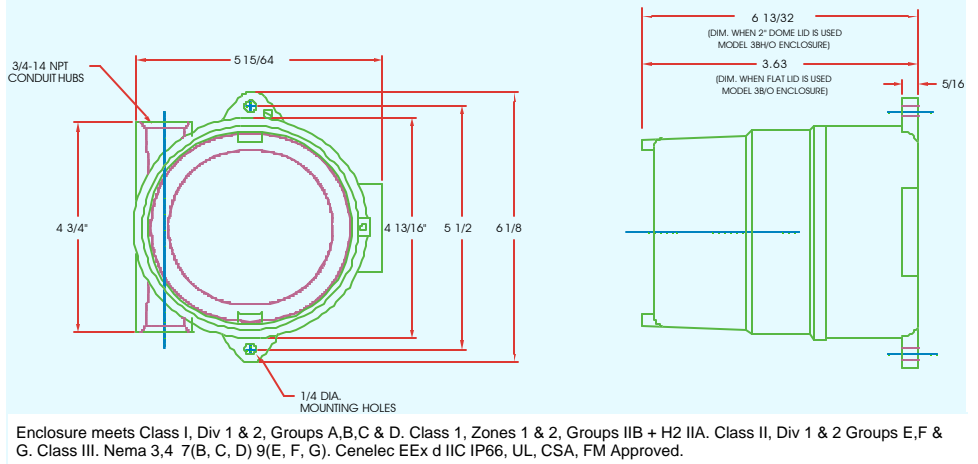
Din Rail Enclosure



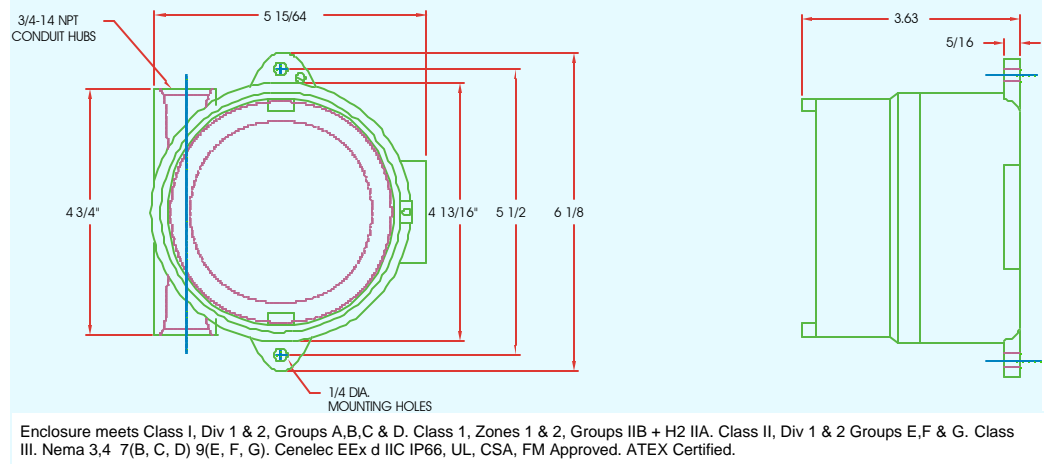
3/0 Explosion-Proof Enclosure



3B/0 Explosion-Proof Enclosure



3B/0-ATEX Explosion-Proof Enclosure



HOFFER FLOW CONTROLS, INC.

107 Kitty Hawk Lane, P. O. Box 2145, Elizabeth City, NC 27906-2145
 800-628-4584 252-331-1997 FAX 252-331-2886
 www.hofferflow.com email: info@hofferflow.com

The specifications contained herein are subject to change without notice and any user of said specifications should verify from the manufacturer that the specifications are currently in effect. Otherwise, the manufacturer assumes no responsibility for the use of specifications which may have been changed and are no longer in effect.

The quality system covering the design, manufacture and testing of our products is certified to International Standard ISO 9001.

