

LEVELIS LLU-400

The LEVELIS LLU-400 local display unit is used to visualise physical quantities (such as fluid level) the magnitudes of which are expressed by means of current signal 4 to 20mA. The LLU-400 unit is supplied directly from the current loop and is installed between the sensor and the connector head (DIN 43650). The unit parameters (measurement range, decimal point position, damping and the overrange condition) can be set by pushbuttons accessible upon removal of the display cover.

LEVELIS LLU-400 display unit: the main features

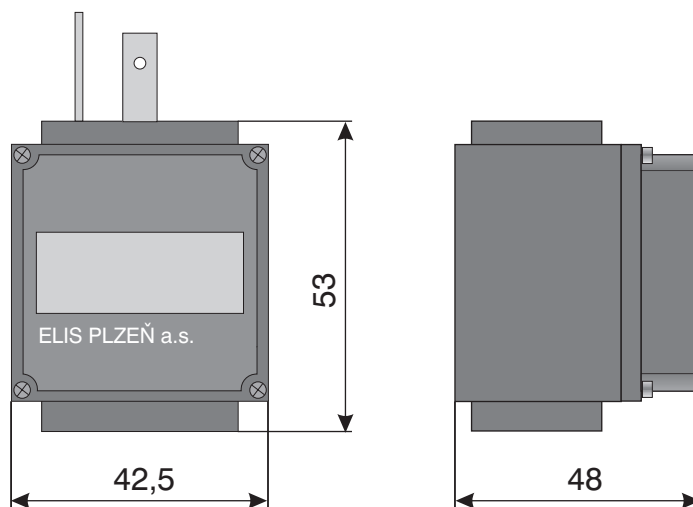
- 4-digit unit
- powered from current loop 4 to 20mA
- fitted under connector head (DIN 43650)
- pushbutton class IP65

TECHNICAL PARAMETERS

input signal	4 to 20mA
voltage drop	5V
display unit	4-digit LED, character height 7mm
display mode	programmable with selected position of decimal point
parameter setting	value for signal current 4mA value for 20mA damping overrange condition
measurement Accuracy	$\pm 0.2\% \pm 1$ digit
temperature error	0.01%/K
ambient temperature	0 to 60°C
connection	connector DIN 43650
protection class	IP 65

BASIC DIMENSIONS

LEVELIS LLU-400



Example of installation
on level meter
LEVELIS LU-55

