



ELIS PLZEŇ a.s.



INDUCTION FLOW METER FLONET FH10XX

FLONET FH10XX

The electromagnetic-induction flow meter's type series FLONET FH10XX are intended for flow-rate measurements of conductive liquids in water and heat supply systems, chemical, food processing and other industries. They meet the most stringent requirements on measurement accuracy, long-term stability and hygienic standards. Flow-rate measurements in both directions of flow are possible. The meter sensor has no movable mechanical parts and its inclusion in the piping system will have no effect on the hydraulic or pressure flow conditions. The converter unit provides for sensor energizing and processing of the sensor signals. The meter has pulse and current outputs, as well as interface to the HART® communication protocol. The information is displayed in English.

METER SPECIFICATION

nominal diameter / size	DN6 to DN1200 / 1/4" to 48"
nominal pressure [bar / psi]	6, 10, 16, 25, 40 / 150, 300, 600
min. conductivity of measured liquid	5 µS/cm
electrode material	stainless steel 1.4571, Hastelloy-C4, platinum, tantalum
ambient temperature	-20 to +60°C (-4°F to 140°F)
sensor lining	soft or hard rubber, Teflon
version	remote or compact version
connection	flanged (EN1092, ANSI), wafer
max. temperature of measured liquid	up to 150°C (302°F)
measurement accuracy	±0.3%
measurement repeatability	± 0.15%
measurement range	0.1 to 10 m/s (0.33 to 33 ft/s)
outputs	current (I) 4 to 20 mA, insulated pulse with frequency 0 to 1,000 Hz, insulated status for forward and reverse flow, MIN and MAX flow rate or alarm
communication protocol	HART®
power supply	115/230V AC, 50 to 60Hz, 24V DC
protection class	IP 67 (IP 68 on request)

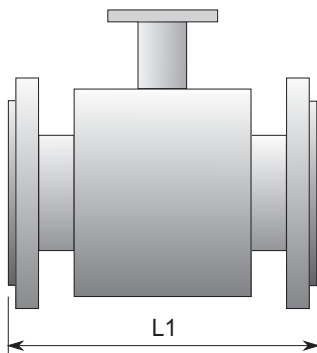
DESIGN VERSION, CONFIGURATION AND TYPE DESIGNATION

design version	COMPACT		REMOTE	
Configuration	ECONOMIC	COMFORT	ECONOMIC	COMFORT
type designation - flanged	FH1010	FH1014	FH1011	FH1015
- wafer	FH1020	FH1024	FH1021	FH1025

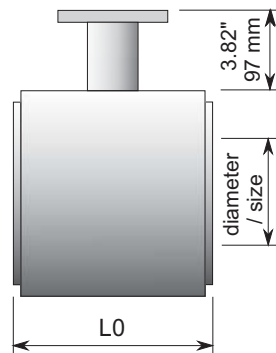
RATED INTERNAL DIAMETER AND SENSOR LENGTH

pressure	40 bar / 150lb		16 bar / 150lb				10 bar / 150lb				6 bar / 150lb					
diameter [mm]	20	25-40	50-80	100	125	150	200	250	300	350	400-600	700	800	900	1000	1200
size [inch]	3/4"	1"-1 1/2"	2"-3"	4"	5"	6"	8"	10"	12"	14"	16"-24"	28"	32"	36"	40"	48"
L1 [mm]	200	200	200	250	250	300	350	450	500	550	600	700	800	900	1000	1200
L1 [inch]	7.9	7.9	7.9	9.8	9.8	11.8	13.8	17.7	19.7	21.7	23.6	27.6	31.5	35.4	39.4	47.2
L0 [mm]	74	104	104	104	134	134	219	-	-	-	-	-	-	-	-	-
L0 [inch]	2.9	4.1	4.1	4.1	5.3	5.3	8.6	-	-	-	-	-	-	-	-	-

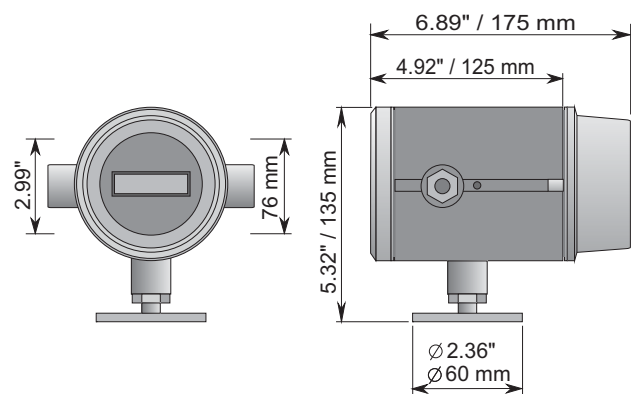
FLANGED VERSION



WAFER VERSION



ELECTRONIC UNIT



ELIS PLZEN a. s., LUCNI 15
P. O. BOX 126, 304 26 PLZEN
CZECH REPUBLIC

Phone: +420 377 517 711
FAX: +420 377 517 722
e-mail: sales@elis.cz
<http://www.elis.cz>