



BLAGDON

B15 & X15

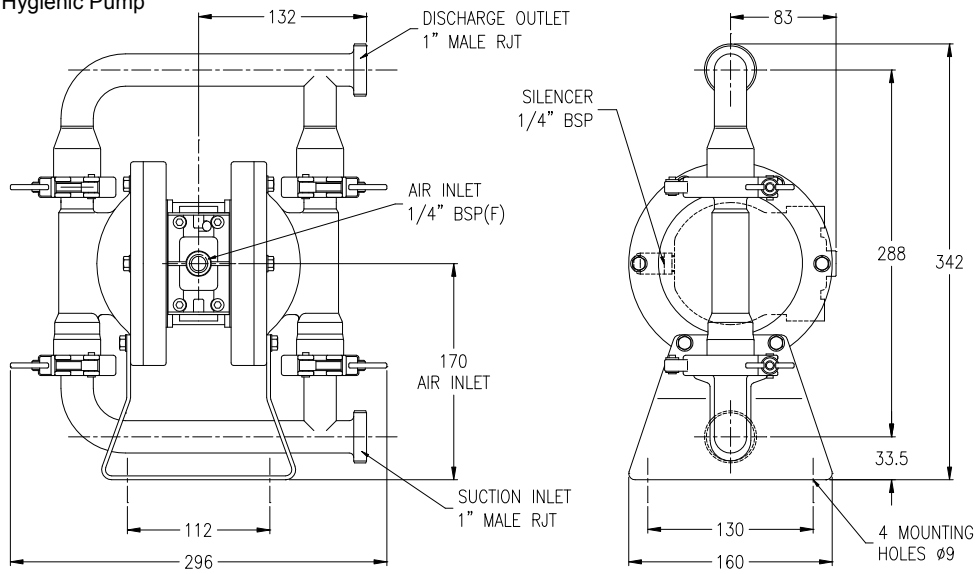
AIR OPERATED DOUBLE DIAPHRAGM PUMP

1/2" Hygienic Series

B15

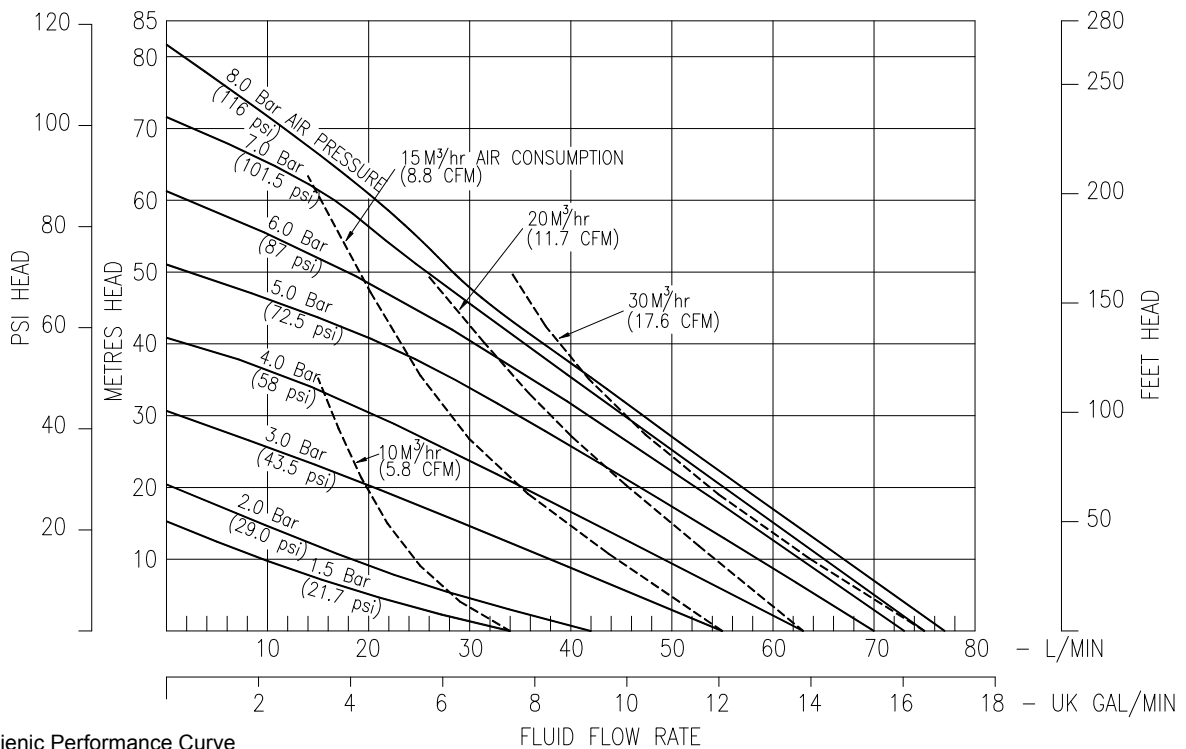
DIMENSIONS

General Assembly :- B15 Hygienic Pump
All dimensions +/- 3mm



B15

PERFORMANCE



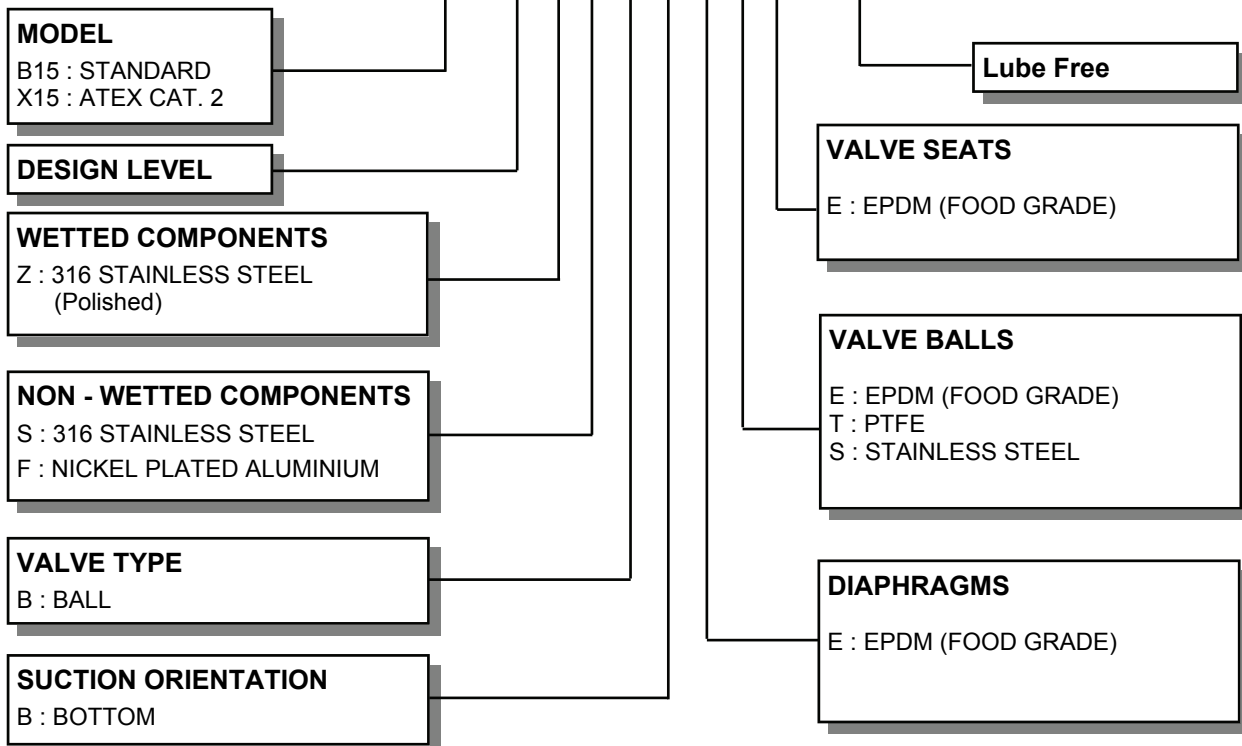
B15 Hygienic Performance Curve
Performance based on water at ambient temperature

FLUID CONNECTIONS 1" RJT Male	CAPACITY 0 - 60 Litres/Minute (0 - 13 Gallons/Minute)	MAX SOLIDS 3 MM (1/8")	MAX DISCHARGE HEAD 88 Meters (289 ft)	DISPLACEMENT/STROKE 0.075 Litres (0.02 UK Gallons)
MAX. WORKING PRESSURE 8.6 Bar (125 psi)	AIR INLET 1/4" BSP (F)	TEMPERATURE LIMITS Determined by Elastomers		PUMP WEIGHTS :- 10.5 Kg

Materials	Operating Temperatures		
	Maximum	Minimum	Optimum
EPDM - Shows very good water and chemical resistance. Has poor resistance to oils and solvents, but is fair on ketones and alcohols.	212°F 100°C	-11°F -24°C	50° to 212°F 10° to 100°C
PTFE - Chemically inert, virtually impervious. Very few chemicals are known to react chemically with PTFE : molten alkali metals, turbulent liquid or gaseous fluorine and a few fluoro-chemicals such as chlorine trifluoride or oxygen difluoride which readily liberate free fluorine at elevated temperatures.	356°F 180°C	32°F 0°C	50° to 212°F 10° to 100°C

- Gentle pumping action to avoid damage to food and beverage products.
- Range of RJT/DIN/FERRULE connections.
- Self priming for emptying containers.
- Food grade elastomers – EPDM / PTFE
- Pressures to 8.6 bar.
- Capable of handling high viscosity & SG fluids.
- Certified CIP cleanable.
- EU Design approval
- 316L Stainless Steel

TYPICAL CODE = B15. 01. Z F. B B. E E E - L F



IMPORTANT

This pump should be used in accordance with the requirements of the Safety, Health & Welfare at Work Act 2005. All business conducted subject to IDEX Pump Technologies, Ireland. Terms and Conditions of Sale, available on request.



IDEX Pump Technologies (Ireland) Ltd.,
A Unit of IDEX Corporation,
R79, Shannon, Co Clare, IRELAND.
TEL. : +353 61 471933 FAX. : +353 61 475046
Web Site : www.blagdonpump.com
E-Mail : sales@blagdonpump.com



BLAGDON

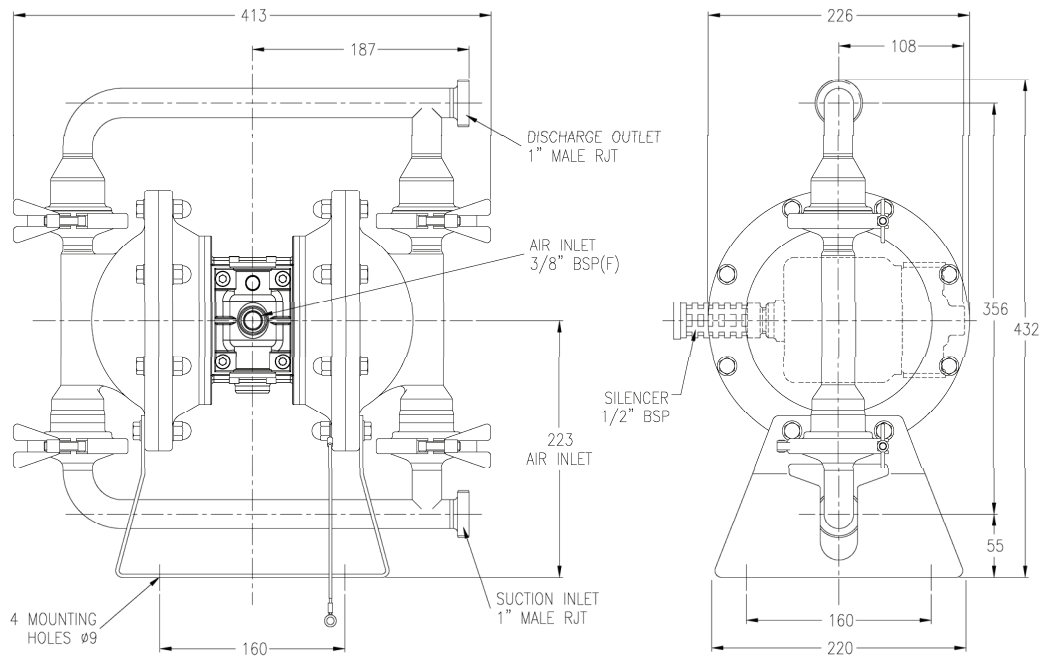
B25 & X25

AIR OPERATED DOUBLE DIAPHRAGM PUMP

1" Hygienic 05 Series

B25

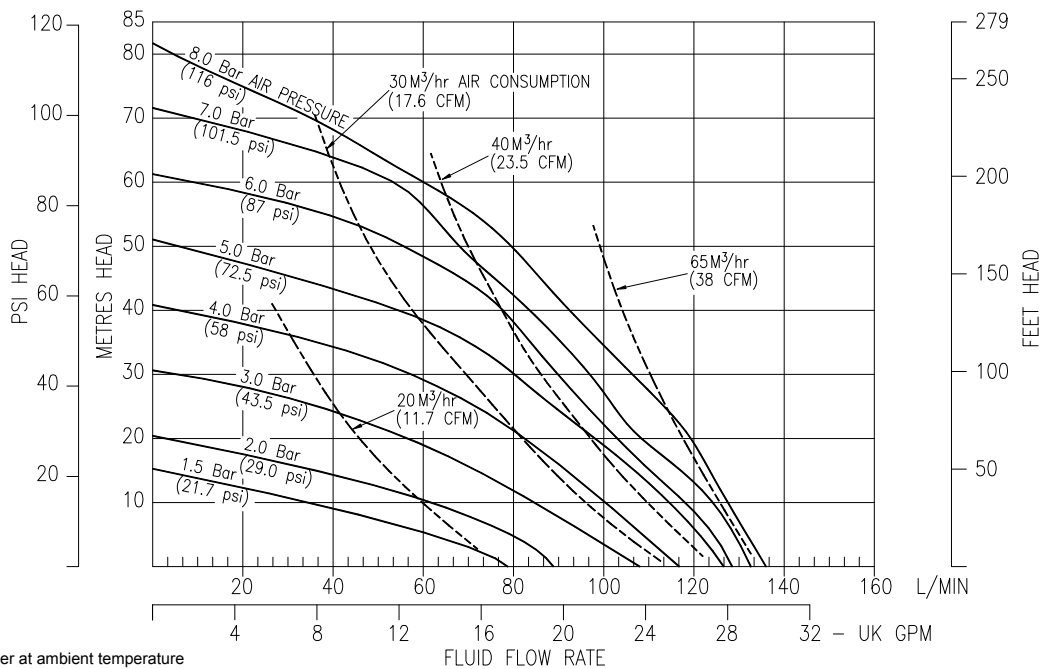
DIMENSIONS



General Assembly :-
B2505 Hygienic Pump
All dimensions +/- 3mm

B25

PERFORMANCE



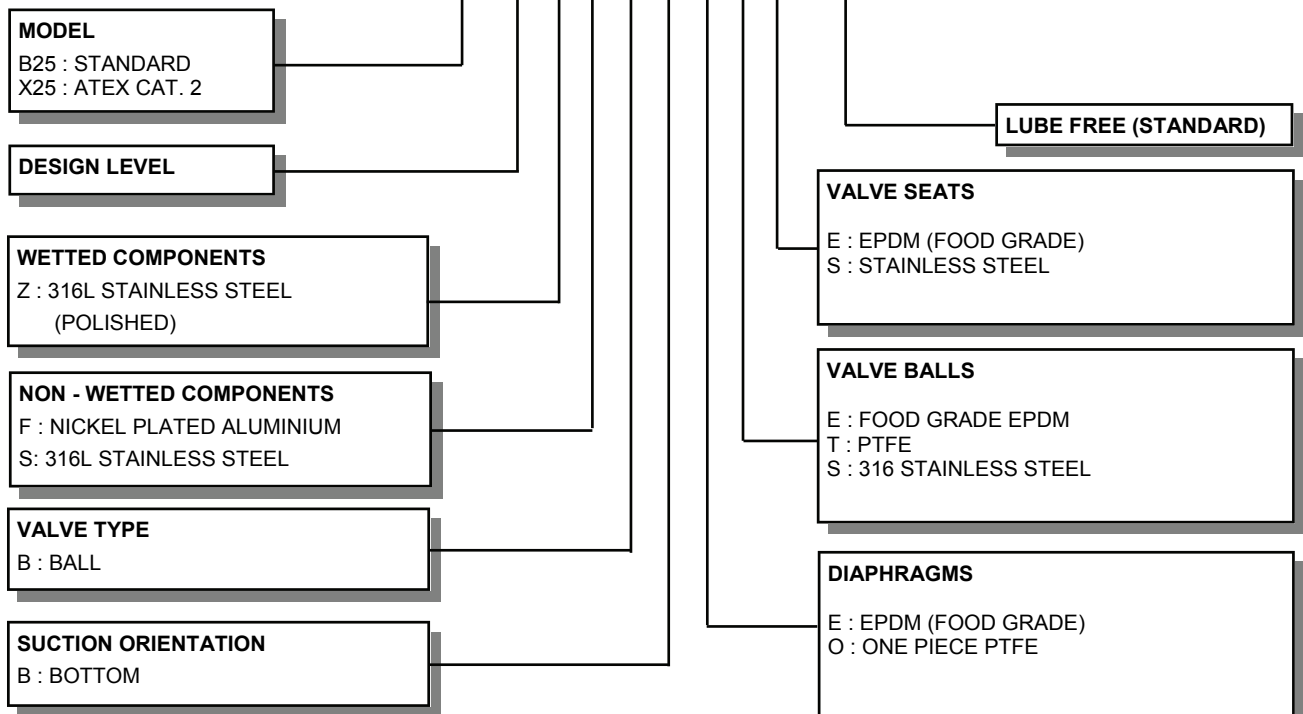
B25 Hygienic Pump
Performance Curve
Performance based on water at ambient temperature

FLUID CONNECTIONS 1" RJT Male	CAPACITY 0 - 136 Litres/Minute (0 - 30 Gallons/Minute)	MAX SOLIDS 5 MM (3/16")	MAX DISCHARGE HEAD 88 Meters (289 ft)	DISPLACEMENT/STROKE 0.5 Litres (0.11 UK Gallons)
MAX. WORKING PRESSURE 8.6 Bar (125 psi)	AIR INLET 3/8" BSP (F)	TEMPERATURE LIMITS Determined by Elastomers		PUMP WEIGHTS :- 21.5 Kg

Materials	Operating Temperatures		
	Maximum	Minimum	Optimum
EPDM - Shows very good water and chemical resistance. Has poor resistance to oils and solvents, but is fair on ketones and alcohols.	212°F 100°C	-11°F -24°C	50° to 212°F 10° to 100°C
PTFE - Chemically inert, virtually impervious. Very few chemicals are known to react chemically with PTFE : molten alkali metals, turbulent liquid or gaseous fluorine and a few fluoro-chemicals such as chlorine trifluoride or oxygen difluoride which readily liberate free fluorine at elevated temperatures.	356°F 180°C	32°F 0°C	50° to 212°F 10° to 100°C

- Gentle pumping action to avoid damage to food and beverage products.
- Range of RJT/DIN/FERRULE connections.
- Self priming for emptying containers.
- Food grade elastomers – EPDM / PTFE
- Pressures to 8.6 bar.
- Capable of handling high viscosity & SG fluids.
- Certified CIP cleanable.
- EU Design approval
- 316L Stainless Steel

TYPICAL CODE = **B25.05.Z F. B B. E E E - L F**



IMPORTANT
This pump should be used in accordance with the requirements of the Safety, Health & Welfare at Work Act 2005.
All business conducted subject to IDEX Pump Technologies, Ireland. Terms and Conditions of Sale, available on request.



IDEX Pump Technologies (Ireland) Ltd.,
A Unit of IDEX Corporation,
R79, Shannon, Co Clare, IRELAND.
TEL. : +353 61 471933 FAX. : +353 61 475046
Web Site : www.blagdonpump.com
E-Mail : sales@blagdonpump.com



BLAGDON

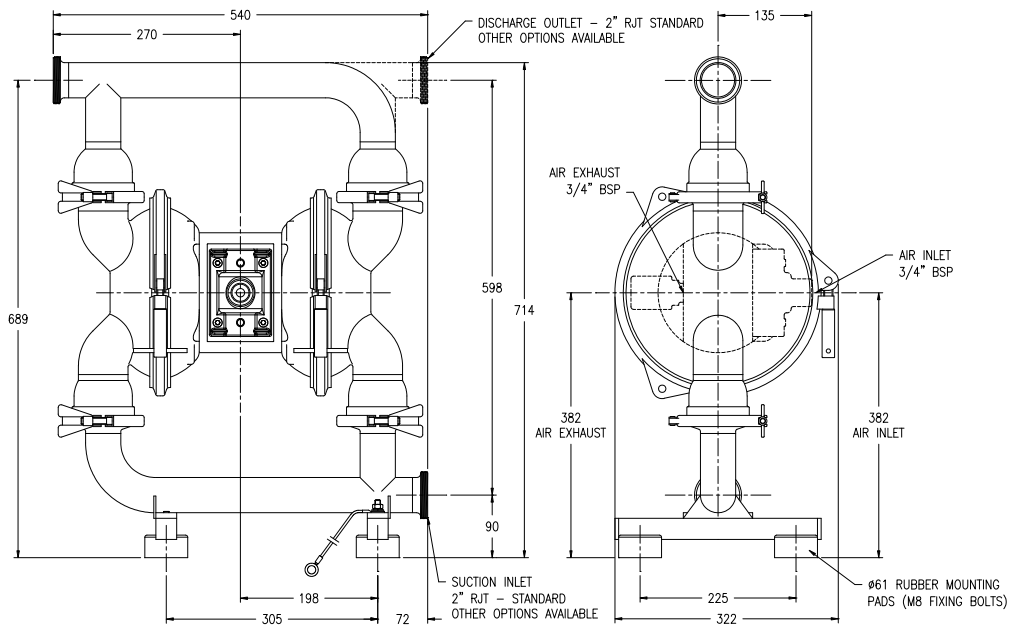
B50 & X50

AIR OPERATED DOUBLE DIAPHRAGM PUMP

2" Hygienic '05' Series

B50

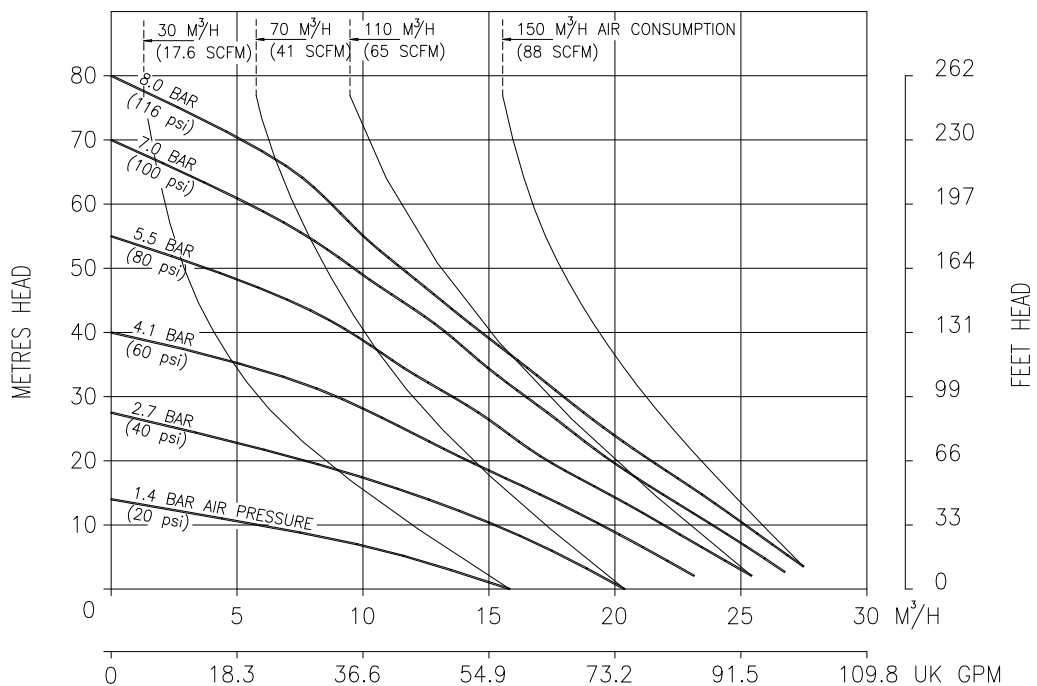
DIMENSIONS



General Assembly :-
B50 Hygienic Pump
All dimensions +/- 3mm

B50

PERFORMANCE



B50 Hygienic Pump Performance Curve
Performance based on water at ambient temperature
HG-CF-1064 Rev. C - 17.11.11

FLUID CONNECTIONS 2" RJT Male	CAPACITY 0 - 476 Litres/Minute (0 - 105 Gallons/Minute)	MAX SOLIDS 10 MM (3/8")	MAX DISCHARGE HEAD 88 Meters (289 ft)	DISPLACEMENT/STROKE 1.9 Litres (0.42 UK Gallons)
MAX. WORKING PRESSURE 8.6 Bar (125 psi)	AIR INLET 3/4" BSP (F)	TEMPERATURE LIMITS Determined by Elastomers		PUMP WEIGHTS :- ZF :- 42 Kg ZS :- 64 Kg

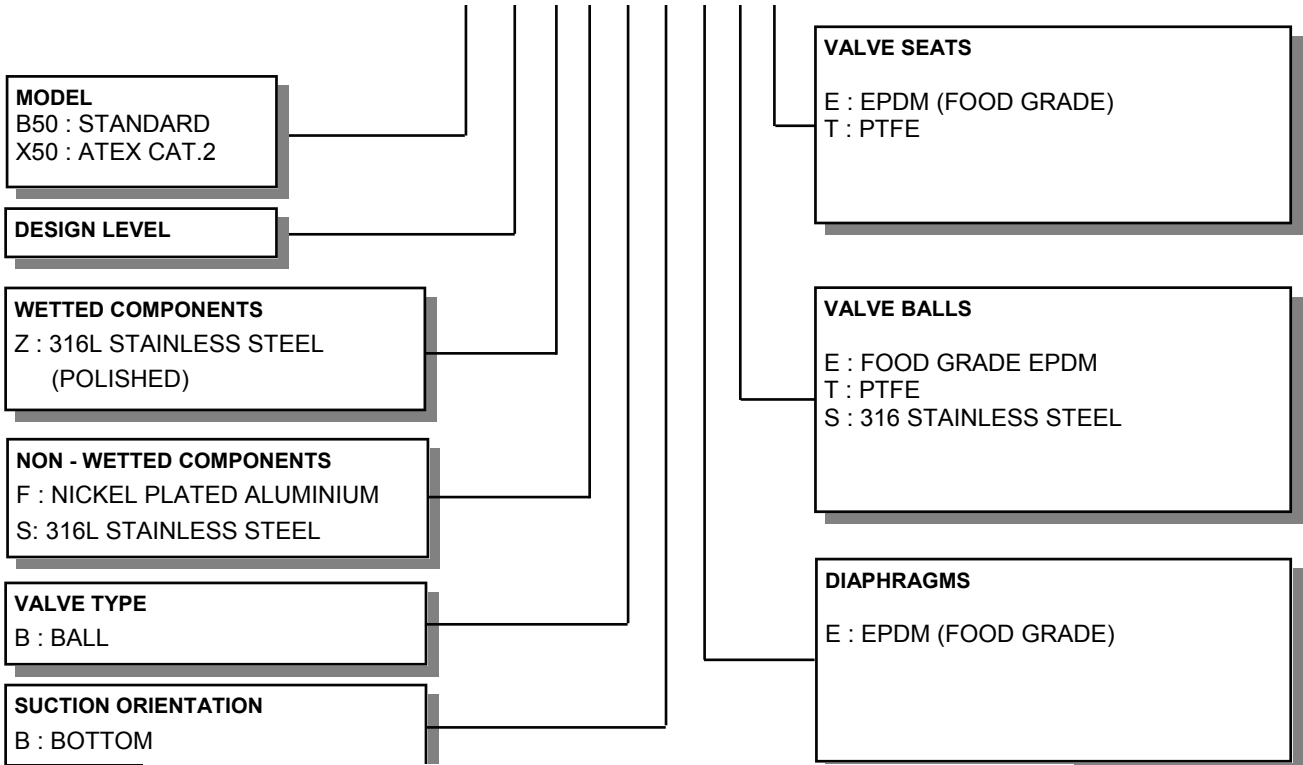
ⓘ Caution - Operating temperature limitations are as follows:

Operating Temperatures

Materials	Maximum	Minimum	Optimum
EPDM - Shows very good water and chemical resistance. Has poor resistance to oils and solvents, but is fair on ketones and alcohols.	212°F 100°C	-10°F -23°C	50° to 212°F 10° to 100°C
PTFE - Chemically inert, virtually impervious. Very few chemicals are known to react chemically with PTFE : molten alkali metals, turbulent liquid or gaseous fluorine and a few fluoro-chemicals such as chlorine trifluoride or oxygen difluoride which readily liberate free fluorine at elevated temperatures.	212°F 100°C	-35°F -37°C	50° to 212°F 10° to 100°C

- Gentle pumping action to avoid damage to food and beverage products.
- Range of RJT / DIN / FERRULE connections.
- Self priming for emptying containers.
- Lube-Free as standard.
- Food grade elastomers – EPDM / PTFE
- Pressures to 8.6 bar.
- Capable of handling high viscosity & SG fluids.
- Certified CIP cleanable.
- EU Design approval
- 316L Stainless steel
- Pump Stand option for 180° rotation in place.

TYPICAL CODE = B50.05.Z F. B B. E E E



IMPORTANT

This pump should be used in accordance with the requirements of the Safety, Health & Welfare at Work Act 2005. All business conducted subject to IDEX Pump Technologies, Ireland. Terms and Conditions of Sale, available on request.



IDEX Pump Technologies (Ireland) Ltd.,
A Unit of IDEX Corporation,
R79, Shannon, Co Clare, IRELAND.
TEL : +353 61 471933 FAX : +353 61 475046
Web Site : www.blagdonpump.com
E-Mail : sales@blagdonpump.com