

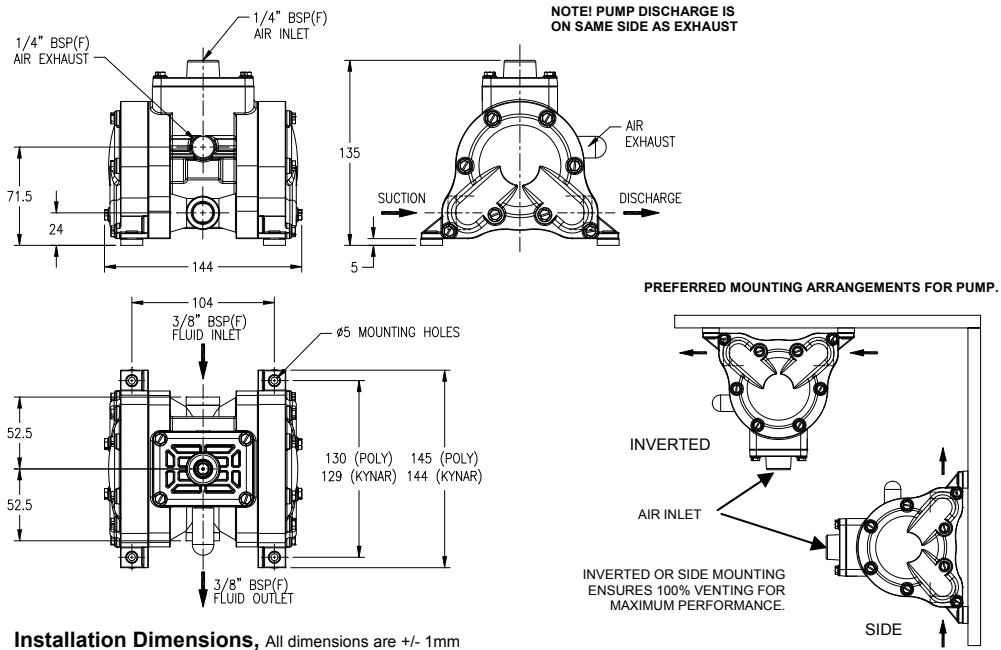
BLAGDON

B10

AIR OPERATED DOUBLE DIAPHRAGM PUMP

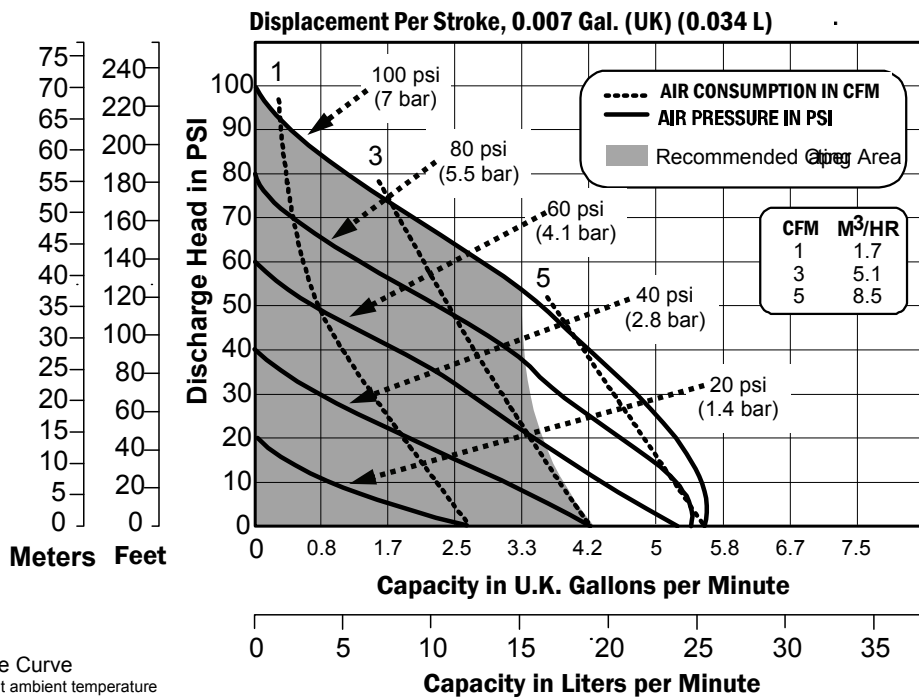
B10

DIMENSIONS



B10

PERFORMANCE



B10 Pump Performance Curve
Performance based on water at ambient temperature

TECHNICAL DATA

Maximum Delivery:	26.5 Litres/min		Accessories Included:	Exhaust Air Silencer
Max. Working Pressure:	6.9 Bar (100 psi)		Shipping Weight:	1.4 Kg (3.0 Lb)
Max. Solid Particle Size:	1.5 mm (1/16")		Shipping Dimensions:	160 mm x 230 mm x 120 mm
Air Inlet:	1/4" BSP(F)		Fluid Inlet/Outlet:	3/8" BSP(F)
Suction Lift (Dry):	3.05 M (10')		Temperature Limits:	Minimum -23°C (-10°F) Maximum 65°C (150°F)
Suction Lift (Wet):	6 M (20')		dB(A) Rating	78 dB(A)

FLUID CONNECTIONS	CAPACITY	MAX SOLIDS	MAX DISCHARGE HEAD	DISPLACEMENT /STROKE
3/8" BSP (F)	0 - 26.5 Liters/Minute (0 - 5.8 Gallons/Minute)	1.5 mm (1/16")	70 Meters (230 ft)	0.034 Litres (0.007 Gallons U.K.)

ⓘ Caution - Operating temperature limitations are as follows:

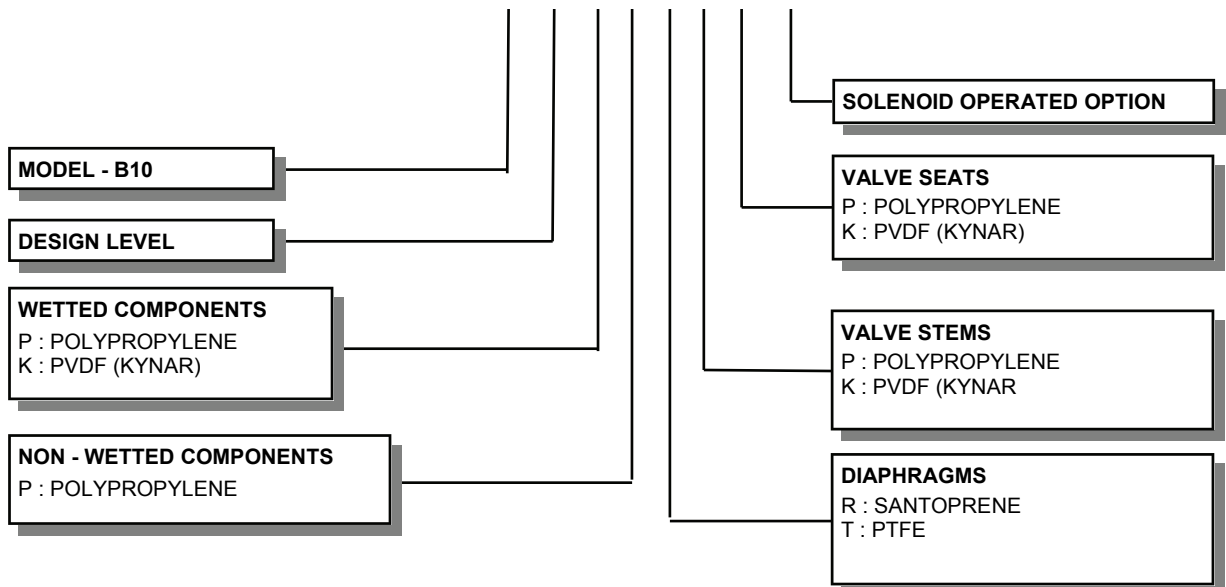
Operating Temperatures

Materials

Maximum Minimum Optimum

Santoprene® - Injection moulded thermoplastic elastomer with no fabric layer. Long mechanical flex life. Excellent abrasion resistance.	212°F 100°C	-10°F -23°C	50° to 212°F 10° to 100°C
PTFE - Chemically inert, virtually impervious. Very few chemicals are known to react chemically with PTFE : molten alkali metals, turbulent liquid or gaseous fluorine and a few fluoro-chemicals such as chlorine trifluoride or oxygen difluoride which readily liberate free fluorine at elevated temperatures.	356°F 180°C	32°F 0°C	50° to 212°F 10° to 100°C
Polypropylene - High strength, light weight, corrosion resistant polyolefin which easily withstands most chemicals, with no known solvent at room temperature.	158°F 70°C	-40°F -40°C	50° to 140°F 10° to 60°C

TYPICAL ORDER CODE = B10. 01. P P. R P P - 418



IMPORTANT

This pump should be used in accordance with the requirements of the Safety, Health & Welfare at Work Act 2005. All business conducted subject to IDEX Pump Technologies, Ireland. Terms and Conditions of Sale, available on request.



IDEX Pump Technologies (Ireland) Ltd.,
A Unit of IDEX Corporation,
R79, Shannon, Co Clare, IRELAND.
TEL. : +353 61 471933 FAX. : +353 61 475046
Web Site : www.blagdonpump.com
E-Mail : sales@blagdonpump.com